

IMPORTANT
Read Before Using

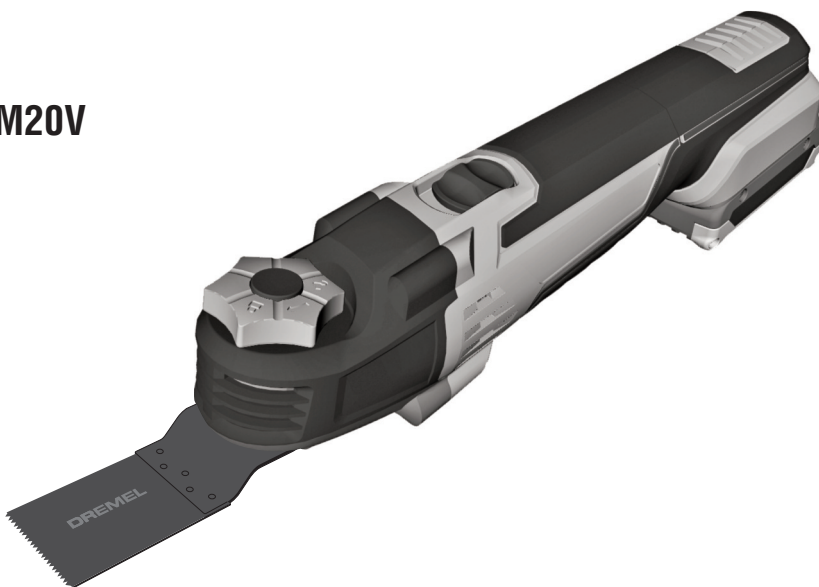
IMPORTANT
Lire avant usage

IMPORTANTE
Leer antes de usar



Operating / Safety Instructions
Consignes d'utilisation/de sécurité
Instrucciones de funcionamiento y seguridad

MM20V



DREMEL®

Call Toll Free for Consumer Information and Service Locations

Pour obtenir des informations et les adresses de nos centres de service après-vente, appelez ce numéro gratuit

Llame gratis para obtener información para el consumidor y ubicaciones de servicio

1-800-4-DREMEL (1-800-437-3635) www.dremel.com





For English Version
See page 2

Version française
Voir page 25

Versión en español
Ver la página 47

Safety Symbols

The definitions below describe the level of severity for each signal word. Please read the manual and pay attention to these symbols.

	<p>This is the safety alert symbol. It is used to alert you to potential personal injury hazards. Obey all safety messages that follow this symbol to avoid possible injury or death.</p>
	<p>DANGER indicates a hazardous situation which, if not avoided, will result in death or serious injury.</p>
	<p>WARNING indicates a hazardous situation which, if not avoided, could result in death or serious injury.</p>
	<p>CAUTION indicates a hazardous situation which, if not avoided, could result in minor or moderate injury.</p>

General Power Tool Safety Warnings

WARNING Read all safety warnings, instructions, illustrations and specifications provided with this power tool. Failure to follow all instructions listed below may result in electric shock, fire and/or serious injury.

SAVE ALL WARNINGS AND INSTRUCTIONS FOR FUTURE REFERENCE

The term “power tool” in the warnings refers to your mains-operated (corded) power tool or battery-operated (cordless) power tool.

1. Work area safety

- a. **Keep work area clean and well lit.** Cluttered or dark areas invite accidents.
- b. **Do not operate power tools in explosive atmospheres, such as in the presence of flammable liquids, gases or dust.** Power tools create sparks which may ignite the dust or fumes.
- c. **Keep children and bystanders away while operating a power tool.** Distractions can cause you to lose control.

2. Electrical safety

- a. **Power tool plugs must match the outlet. Never modify the plug in any way. Do not use any adapter plugs with earthed (grounded) power tools.** Unmodified plugs and matching outlets will reduce risk of electric shock.
- b. **Avoid body contact with earthed or grounded surfaces, such as pipes,**

radiators, ranges and refrigerators. There is an increased risk of electric shock if your body is earthed or grounded.

- c. **Do not expose power tools to rain or wet conditions.** Water entering a power tool will increase the risk of electric shock.
- d. **Do not abuse the cord. Never use the cord for carrying, pulling or unplugging the power tool. Keep cord away from heat, oil, sharp edges or moving parts.** Damaged or entangled cords increase the risk of electric shock.
- e. **When operating a power tool outdoors, use an extension cord suitable for outdoor use.** Use of a cord suitable for outdoor use reduces the risk of electric shock.
- f. **If operating a power tool in a damp location is unavoidable, use a Ground Fault Circuit Interrupter (GFCI) protected supply.** Use of an GFCI reduces the risk of electric shock.

General Power Tool Safety Warnings

3. Personal safety

- a. **Stay alert, watch what you are doing and use common sense when operating a power tool. Do not use a power tool while you are tired or under the influence of drugs, alcohol or medication.** A moment of inattention while operating power tools may result in serious personal injury.
 - b. **Use personal protective equipment. Always wear eye protection.** Protective equipment such as a dust mask, non-skid safety shoes, hard hat, or hearing protection used for appropriate conditions will reduce personal injuries.
 - c. **Prevent unintentional starting. Ensure the switch is in the off-position before connecting to power source and / or battery pack, picking up or carrying the tool.** Carrying power tools with your finger on the switch or energizing power tools that have the switch on invites accidents.
 - d. **Remove any adjusting key or wrench before turning the power tool on.** A wrench or a key left attached to a rotating part of the power tool may result in personal injury.
 - e. **Do not overreach. Keep proper footing and balance at all times.** This enables better control of the power tool in unexpected situations.
 - f. **Dress properly. Do not wear loose clothing or jewelry. Keep your hair and clothing away from moving parts.** Loose clothes, jewelry or long hair can be caught in moving parts.
 - g. **If devices are provided for the connection of dust extraction and collection facilities, ensure these are connected and properly used.** Use of dust collection can reduce dust-related hazards.
 - h. **Do not let familiarity gained from frequent use of tools allow you to become complacent and ignore tool safety principles.** A careless action can cause severe injury within a fraction of a second.
- b. **Do not use the power tool if the switch does not turn it on and off.** Any power tool that cannot be controlled with the switch is dangerous and must be repaired.
 - c. **Disconnect the plug from the power source and/or remove the battery pack, if detachable, from the power tool before making any adjustments, changing accessories, or storing power tools.** Such preventive safety measures reduce the risk of starting the power tool accidentally.
 - d. **Store idle power tools out of the reach of children and do not allow persons unfamiliar with the power tool or these instructions to operate the power tool.** Power tools are dangerous in the hands of untrained users.
 - e. **Maintain power tools and accessories. Check for misalignment or binding of moving parts, breakage of parts and any other condition that may affect the power tool's operation. If damaged, have the power tool repaired before use.** Many accidents are caused by poorly maintained power tools.
 - f. **Keep cutting tools sharp and clean.** Properly maintained cutting tools with sharp cutting edges are less likely to bind and are easier to control.
 - g. **Use the power tool, accessories and tool bits etc. in accordance with these instructions, taking into account the working conditions and the work to be performed.** Use of the power tool for operations different from those intended could result in a hazardous situation.
 - h. **Keep handles and grasping surfaces dry, clean and free from oil and grease.** Slippery handles and grasping surfaces do not allow for safe handling and control of the tool in unexpected situations.

4. Power tool use and care

- a. **Do not force the power tool. Use the correct power tool for your application.** The correct power tool will do the job better and safer at the rate for which it was designed.

5. Battery tool use and care

- a. **Recharge only with the charger specified by the manufacturer.** A charger that is suitable for one type of battery pack may create a risk of fire when used with another battery pack.
- b. **Use power tools only with specifically designated battery packs.** Use of any other battery packs may create a risk of injury and fire.

General Power Tool Safety Warnings

- c. **When battery pack is not in use, keep it away from other metal objects like paper clips, coins, keys, nails, screws, or other small metal objects that can make a connection from one terminal to another.** Shorting the battery terminals together may cause burns or a fire.
- d. **Under abusive conditions, liquid may be ejected from the battery, avoid contact. If contact accidentally occurs, flush with water. If liquid contacts eyes, additionally seek medical help.** Liquid ejected from the battery may cause irritation or burns.
- e. **Do not use a battery pack or tool that is damaged or modified.** Damaged or modified batteries may exhibit unpredictable behavior resulting in fire, explosion or risk of injury.
- f. **Do not expose a battery pack or tool to fire or excessive temperature.**
- g. **Follow all charging instructions and do not charge the battery pack or tool outside the temperature range specified in the instructions.** Charging improperly or at temperatures outside the specified range may damage the battery and increase the risk of fire.

6. Service

- a. **Have your power tool serviced by a qualified repair person using only identical replacement parts.** This will ensure that the safety of the power tool is maintained.
- b. **Never service damaged battery packs.** Service of battery packs should only be performed by the manufacturer or authorized service providers.

Safety Rules for Oscillating Tools

- a. **Hold power tool by insulated gripping surfaces, when performing an operation where the cutting accessory may contact hidden wiring.** Cutting accessory contacting a "live" wire may make exposed metal parts of the power tool "live" and could give the operator an electric shock.
- b. **Use clamps or another practical way to secure and support the workpiece to a stable platform.** Holding the work by hand or against your body leaves it unstable and may lead to loss of control.
- c. **Do not drill, fasten or break into existing walls or other blind areas where electrical wiring may exist.** If this situation is unavoidable, disconnect all fuses or circuit breakers feeding this worksite.
- d. **Use a metal detector to determine if there are gas or water pipes hidden in the work area or call the local utility company for assistance before beginning the operation.** Striking or cutting into a gas line will result in explosion. Water entering an electrical device may cause electrocution.
- e. **Always hold the tool firmly with both hands for maximum control. Keep proper footing and balance at all times.** This enables better control of the power tool in unexpected situations.
- f. **Keep hands away from cutting area. Do not reach under the material being cut.** The proximity of the blade to your hand is hidden from your sight.
- g. **Do not use dull or damaged blades.** Bent blade can break easily or cause kickback.
- h. **Exercise extreme caution when handling the accessories.** The accessories are very sharp.
- i. **Wear protective gloves when changing cutting accessories.** Accessories become hot after prolonged usage.
- j. **Use thick cushioned gloves and limit the exposure time by taking frequent rest periods.** Vibration caused by the tool may be harmful to the hands and arms.

Safety Rules for Oscillating Tools

- k. **Before scraping, check workpiece for nails. If there are nails, either remove them or set them well below intended finished surface.** Striking a nail with accessory edge could cause the tool to jump.
- l. **Do not wet sand with this tool.** Liquids entering the motor housing can create an electrical shock hazard.
- m. **Never work in area which is soaked with a liquid, such as a solvent or water, or dampened such as newly applied wallpaper.** There is an electrical shock hazard when working in such conditions with a power tool and heating of the liquid caused by scraping action may cause harmful vapors to be emitted from workpiece.
- n. **Always wear eye protection and a dust mask for dusty applications and when sanding overhead.** Sanding particles can be absorbed by your eyes and inhaled easily and may cause health complications.
- o. **Use special precautions when sanding chemically pressure treated lumber, paint that may be lead based, or any other materials that may contain carcinogens.** A suitable breathing respirator and protective clothing must be worn by all persons entering the work area. Work area should be sealed by plastic sheeting and persons not protected should be kept out until work area is thoroughly cleaned.
- p. **Do not use sandpaper intended for larger sanding pads.** Larger sandpaper will extend beyond the sanding pad causing snagging, tearing of the paper or kick-back. Extra paper extending beyond the sanding pad can also cause serious lacerations.

Additional Safety Warnings

Use only Dremel B20V20 or the batteries listed in the battery/charger list. Using other types of batteries may result in personal injury or property damage.

Ensure the switch is in the off position before inserting battery pack. Inserting the battery pack into power tools that have the switch on invites accidents.

Always inspect accessories for damage (breakage, cracks) before each use. Never use if damage is suspected.

GFCI and personal protection devices like electrician's rubber gloves and footwear will further enhance your personal safety.

Keep handles dry, clean and free from oil and grease. Slippery hands cannot safely control the power tool.

Develop a periodic maintenance schedule for your tool. When cleaning a tool be careful not to disassemble any portion of the tool since internal wires may be misplaced or pinched or safety guard return springs may be improperly mounted. Certain cleaning agents such as gasoline, carbon tetrachloride, ammonia, etc. may damage plastic parts.

Risk of injury to user. The power cord must only be serviced by a Bosch Factory Service Center or Authorized Bosch Service Station.








⚠ WARNING **Some dust created by power sanding, sawing, grinding, drilling, and other construction activities contains chemicals known to cause cancer, birth defects or other reproductive harm. Some examples of these chemicals are:**

- Lead from lead-based paints,
- Crystalline silica from bricks and cement and other masonry products, and
- Arsenic and chromium from chemically-treated lumber.

Your risk from these exposures varies, depending on how often you do this type of work. To reduce your exposure to these chemicals: work in a well ventilated area, and work with approved safety equipment, such as those dust masks that are specially designed to filter out microscopic particles.

Symbols

IMPORTANT: Some of the following symbols may be used on your tool. Please study them and learn their meaning. Proper interpretation of these symbols will allow you to operate the tool better and safer.

Symbol	Designation/Explanation
V	Volts (voltage)
A	Amperes (current)
Hz	Hertz (frequency, cycles per second)
W	Watt (power)
kg	Kilograms (weight)
min	Minutes (time)
s	Seconds (time)
\varnothing	Diameter (size of drill bits, grinding wheels, etc.)
n_0	No load speed (rotational speed at no load)
n	Rated speed (maximum attainable speed)
.../min	Revolutions or reciprocation per minute (revolutions, strokes, surface speed, orbits etc. per minute)
0	Off position (zero speed, zero torque...)
1, 2, 3, ... I, II, III,	Selector settings (speed, torque or position settings. Higher number means greater speed)
	Infinitely variable selector with off (speed is increasing from 0 setting)
	Arrow (action in the direction of arrow)
	Alternating current (type or a characteristic of current)
	Direct current (type or a characteristic of current)
	Alternating or direct current (type or a characteristic of current)
	Class II construction (designates double insulated construction tools)
	Earthing terminal (grounding terminal)

Symbols (continued)

IMPORTANT: Some of the following symbols may be used on your tool. Please study them and learn their meaning. Proper interpretation of these symbols will allow you to operate the tool better and safer.

Symbol	Designation / Explanation
	Alerts user to read manual.
	Alerts user to wear eye protection.
	Alerts user to wear respiratory protection.
	Alerts user to wear hearing protection.
	Alerts user to wear eye, respiratory, and hearing protection.
	This symbol designates that this tool is listed by Underwriters Laboratories, to United States and Canadian Standards.
	This symbol designates that this tool is listed by the Canadian Standards Association.
	This symbol designates that this tool is listed by the Canadian Standards Association, to United States and Canadian Standards.
	This symbol designates that this tool is listed by the Intertek Testing Services, to United States and Canadian Standards.
	Designates Li-ion battery recycling program.

Licenses

© 2016-2018 STMicroelectronics

Redistribution and use in source and binary forms, with or without modification, are permitted provided that the following conditions are met:

1. Redistributions of source code must retain the above copyright notice, this list of conditions and the following disclaimer.
2. Redistributions in binary form must reproduce the above copyright notice, this list of conditions and the following disclaimer in the documentation and/or other materials provided with the distribution.
3. Neither the name of STMicroelectronics nor the names of its contributors may be used to endorse or promote products derived from this software without specific prior written permission.

THIS SOFTWARE IS PROVIDED BY THE COPYRIGHT HOLDERS AND CONTRIBUTORS "AS IS" AND ANY EXPRESS OR IMPLIED WARRANTIES, INCLUDING, BUT NOT LIMITED TO, THE IMPLIED WARRANTIES OF MERCHANTABILITY AND FITNESS FOR A PARTICULAR PURPOSE ARE DISCLAIMED. IN NO EVENT SHALL THE COPYRIGHT HOLDER OR CONTRIBUTORS BE LIABLE FOR ANY DIRECT, INDIRECT, INCIDENTAL, SPECIAL, EXEMPLARY, OR CONSEQUENTIAL DAMAGES (INCLUDING, BUT NOT LIMITED TO, PROCUREMENT OF SUBSTITUTE GOODS OR SERVICES; LOSS OF USE, DATA, OR PROFITS; OR BUSINESS INTERRUPTION) HOWEVER CAUSED AND ON ANY THEORY OF LIABILITY, WHETHER IN CONTRACT, STRICT LIABILITY, OR TORT (INCLUDING NEGLIGENCE OR OTHERWISE) ARISING IN ANY WAY OUT OF THE USE OF THIS SOFTWARE, EVEN IF ADVISED OF THE POSSIBILITY OF SUCH DAMAGE.

© 2009 - 2015 ARM LIMITED

All rights reserved.

Redistribution and use in source and binary forms, with or without modification, are permitted provided that the following conditions are met:

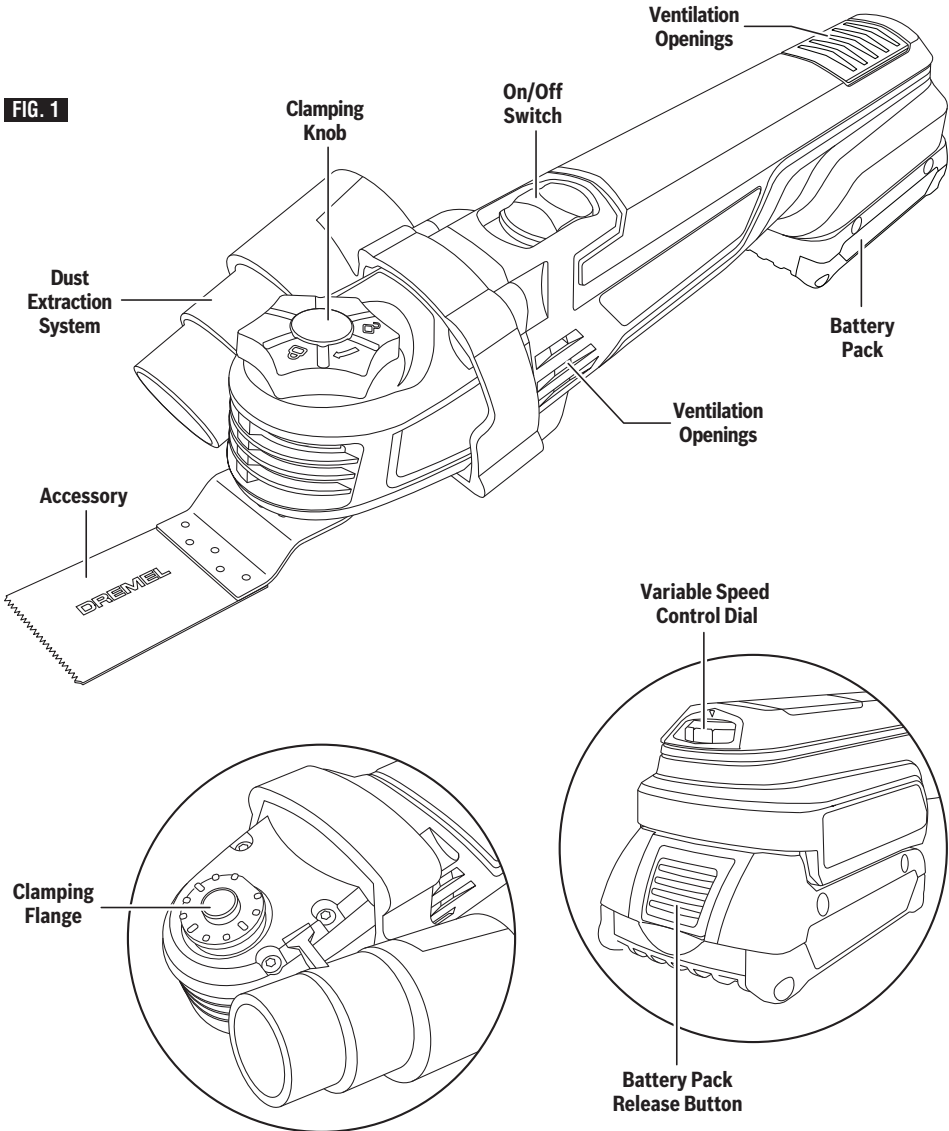
- Redistributions of source code must retain the above copyright notice, this list of conditions and the following disclaimer.
- Redistributions in binary form must reproduce the above copyright notice, this list of conditions and the following disclaimer in the documentation and/or other materials provided with the distribution.
- Neither the name of ARM nor the names of its contributors may be used to endorse or promote products derived from this software without specific prior written permission.

THIS SOFTWARE IS PROVIDED BY THE COPYRIGHT HOLDERS AND CONTRIBUTORS "AS IS" AND ANY EXPRESS OR IMPLIED WARRANTIES, INCLUDING, BUT NOT LIMITED TO, THE IMPLIED WARRANTIES OF MERCHANTABILITY AND FITNESS FOR A PARTICULAR PURPOSE ARE DISCLAIMED. IN NO EVENT SHALL COPYRIGHT HOLDERS AND CONTRIBUTORS BE LIABLE FOR ANY DIRECT, INDIRECT, INCIDENTAL, SPECIAL, EXEMPLARY, OR CONSEQUENTIAL DAMAGES (INCLUDING, BUT NOT LIMITED TO, PROCUREMENT OF SUBSTITUTE GOODS OR SERVICES; LOSS OF USE, DATA, OR PROFITS; OR BUSINESS INTERRUPTION) HOWEVER CAUSED AND ON ANY THEORY OF LIABILITY, WHETHER IN CONTRACT, STRICT LIABILITY, OR TORT (INCLUDING NEGLIGENCE OR OTHERWISE) ARISING IN ANY WAY OUT OF THE USE OF THIS SOFTWARE, EVEN IF ADVISED OF THE POSSIBILITY OF SUCH DAMAGE.

Functional Description and Specifications

⚠ WARNING Disconnect battery pack from tool before making any assembly, adjustments or changing accessories. Such preventive safety measures reduce the risk of starting the tool accidentally.

MM20V Multi-Max™ Oscillating Multi-Tool



Specifications

Model	MM20V
Voltage	18V/20V ⁺ Max.
No load speed	n_0 10,000-20,000/min

NOTE: For tool specifications refer to the nameplate on your tool.

Battery Packs/Chargers

Please refer to the battery/charger list included with your tool.

Introduction

Thank you for purchasing the Dremel Multi-Max™ MM20V.

This tool was designed to tackle home repair, remodeling and restoration projects. The Dremel Multi-Max™ MM20V tackles tasks that are tedious, time consuming or simply next to impossible to achieve with any other tool. The balanced design allows you to hold and control the tool comfortably during operation.

It comes with high quality accessories that are specifically designed for remodeling work where you need precision and control.

Your Dremel Multi-Max™ MM20V has a robust electric motor, feels balanced in you

hand, and is made to accept a large variety of accessories including flush cut blades, scraper blades, grout removal wheels and sanding pads.

Accessories come in a variety of shapes and permit you to do a number of different jobs. As you become familiar with the range of accessories and their uses, you will learn just how versatile your Dremel Multi-Max™ MM20V really is.

Visit www.dremel.com to learn more about what you can do with your Dremel Multi-Max™ MM20V.

Intended Use

This Dremel Multi-Max™ MM20V is a multi-purpose tool that is an essential part of any toolbox. Multi-Max MM20V uses rapid side-to-side motion to cut, scrape, sand, remove grout, grind and more. With superior versatility, durability and control, tackle a wide range of DIY projects for repair, remodeling and restoration. No matter the project - the Multi-Max™ offers a simple solution with endless possibilities.

Assembly

⚠ WARNING Disconnect battery pack from tool before making any assembly, adjustments or changing accessories. Such preventive safety measures reduce the risk of starting the tool accidentally.

Inserting and Releasing Battery Pack

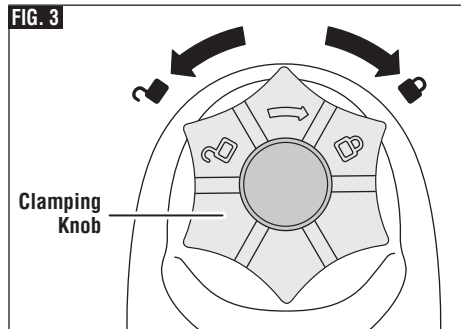
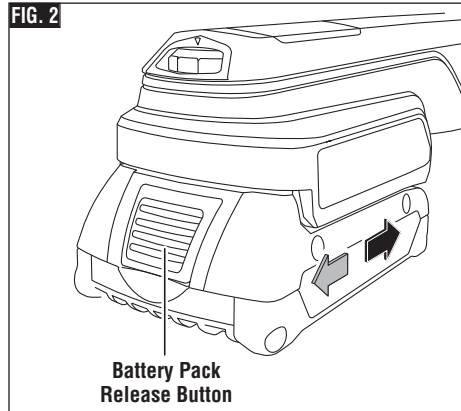
⚠ WARNING Use only Dremel B20V20 or the batteries listed in the battery/charger list. Using other types of batteries may result in personal injury or property damage.

⚠ WARNING Ensure the switch is in the off position before inserting battery pack. Inserting the battery pack into power tools that have the switch on invites accidents.

Slide charged battery pack into the housing until the battery pack locks into position (Fig. 2).

Your tool is equipped with a secondary locking latch to prevent the battery pack from completely falling out of the tool housing, should it become loose during use.

To remove the battery pack, press the battery pack release button and slide the battery pack completely out of tool housing (Fig. 2).

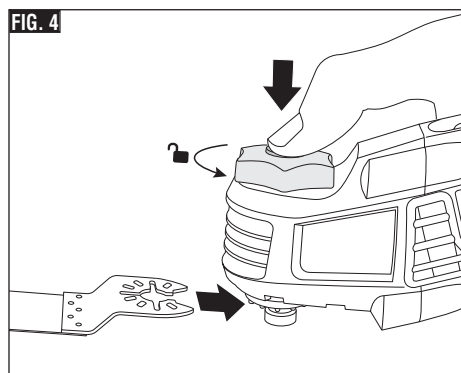


Installing Accessories with Easy-Lock Accessory Change

⚠ WARNING For all work or when changing accessories always wear protective gloves. Such preventive safety measures reduce the risk of injury from sharp edges of the accessories. Application tools can become very hot while working. Danger of burns!

⚠ WARNING Only use Dremel accessories rated 21000 OPM or greater. Using accessories not designed for this power tool may result in serious personal injury and property damage.

The Dremel Multi-Max MM20V was designed with an integrated accessory change mechanism. The Easy-Lock accessory interface allows you to install and remove accessories without the need of a wrench or hex key.



Assembly

1. To install an accessory using the Easy-Lock feature, first loosen the clamping knob by twisting it in a counter-clockwise direction (Fig. 3).
2. Press the clamping knob so that the clamping flange extends enough to fit a blade in between the clamping flange and the interface. You may need to loosen the clamping knob more to allow adequate room for the accessory. (Fig. 4)
3. Place the accessory onto the interface, making sure the accessory engages all pins on the interface and the accessory is flush against the accessory holder (Fig. 5).
4. Release pressure on the clamping knob. The spring action of the mechanism will hold the blade in place while you secure it (Fig. 6).
5. Tighten the clamping knob by twisting in a clockwise direction (Fig. 3). Make sure to tighten fully, until you can't twist the clamping knob (without it being uncomfortable).

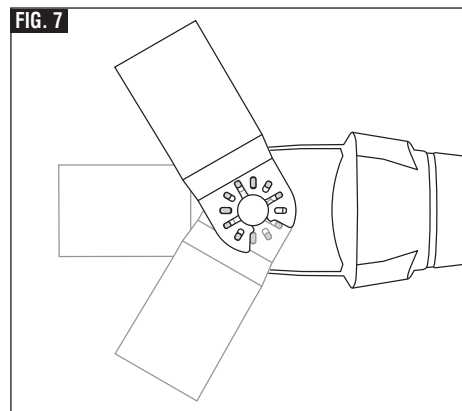
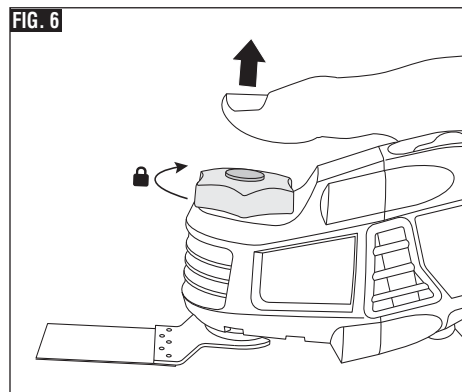
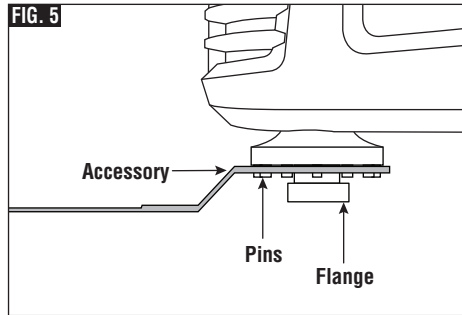
Note: Some accessories, such as scrapers or blades, may be mounted either straight on the tool, or at an angle to enhance usability (Fig. 7).

In order to do this with the Easy-Lock interface, place the accessory onto the accessory holder making sure the accessory engages all pins in the holder and the accessory is flush against the accessory holder. Securely lock the accessory in place as described previously (Fig. 3).

Removing Accessories with Easy-Lock Accessory Change

1. To remove an accessory, first loosen the clamping knob by twisting it in a counter-clockwise direction (Fig. 3).
2. Press the clamping knob and lift the accessory bracket to take it off the pins. You may need to loosen the clamping knob more to allow adequate room to remove the accessory. (Fig. 4)

Note: Blade may be hot after use, wait for blade to cool down before touch.



Assembly

Installing and Removing Sanding Sheets

Your backing pad uses hook-and-loop backed sandpaper, which firmly grips the backing pad when applied with moderate pressure.

1. Align the sanding sheet and press it onto the sanding plate by hand.
2. Firmly press the power tool with the sanding sheet against a flat surface and briefly switch the power tool on. This will promote good adhesion and helps to prevent premature wear.
3. To change, merely peel off the old sanding sheet, remove dust from the backing pad, if necessary, and press the new sanding sheet in place.

After considerable service the backing pad surface will become worn, and the backing pad must be replaced when it no longer offers a firm grip. If you are experiencing premature wear-out of the backing pad face, decrease the amount of pressure you are applying during operation of the tool.

For maximum use of abrasive, rotate pad 120 degrees when tip of abrasive becomes worn.

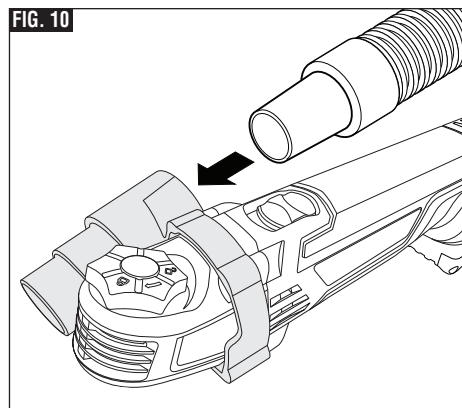
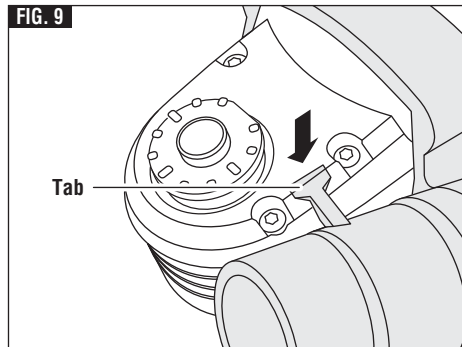
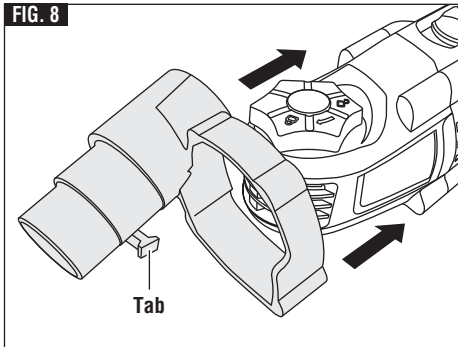
Dust Management

⚠ WARNING The vacuum cleaner must be suitable for the material being worked. When vacuuming dry dust that is especially detrimental to health or carcinogenic, use a vacuum cleaner that is specifically intended for that purpose.

Your Dremel MM20V includes a dust extraction system that helps keep your work area clean.

To attach, slide the dust adapter over the front end of the MM20V (Fig 8). Work the adapter towards the back of the tool until it snugly fits over the body. Secure the dust adapter by inserting the tab into the bottom of MM20V (Fig. 9).

Connect the vacuum hose (Not included) into the adapter, then connect the opposite end of the hose to a shop vacuum cleaner (Fig. 10).



Operating Instructions

⚠ WARNING Disconnect battery pack from tool before making any assembly, adjustments or changing accessories. Such preventive safety measures reduce the risk of starting the tool accidentally.

Learning To Use the Tool

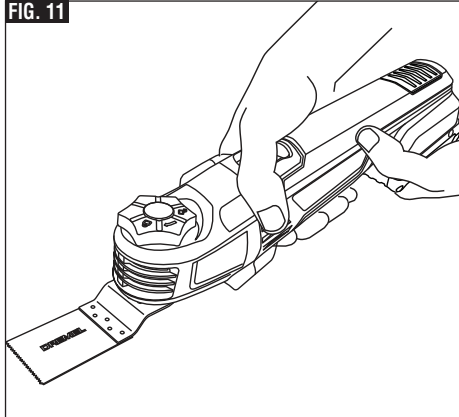
Getting the most out of your oscillating tool is a matter of learning how to let the speed and the feel of the tool in your hands work for you.

The first step in learning to use the tool is to get the “feel” of it. Hold it in your hand and feel its weight and balance (Fig. 11). Depending on the application, you will need to adjust your hand position to achieve optimum comfort and control. The unique comfort grip on the body of the tool allows for added comfort and control during use.

Always hold the tool with two hands. When holding tool, do not cover the air vents with your hand. Blocking the air vents could cause the motor to overheat.

IMPORTANT! Practice on scrap material first to see how the tool’s high-speed action performs. Keep in mind that your tool will perform best by allowing the speed, along with the correct accessory, do the work for you. Be careful not to apply too much pressure.

Instead, lower the oscillating accessory lightly to the work surface and allow it to touch the



point at which you want to begin. Concentrate on guiding the tool over the work using very little pressure from your hand. Allow the accessory to do the work.

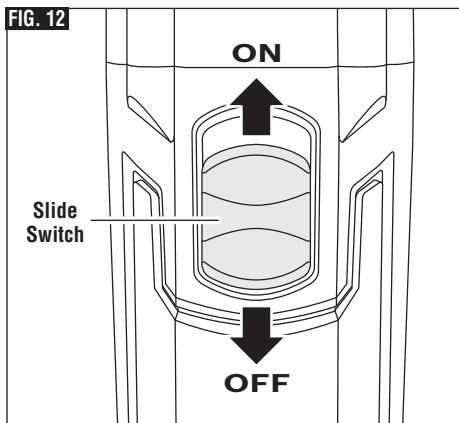
Usually it is better to make a series of passes with the tool rather than to do the entire job with one pass. To make a cut, for example, pass the tool back and forth over the work. Cut a little material on each pass until you reach the desired depth.

Slide "ON/OFF" Switch

The tool is switched "ON" by the slide switch located on the topside of the motor housing (Fig. 12).

TO TURN THE TOOL "ON", slide the switch button forward.

TO TURN THE TOOL "OFF", slide the switch button backward.



Operating Instructions

Variable Speed Control Dial

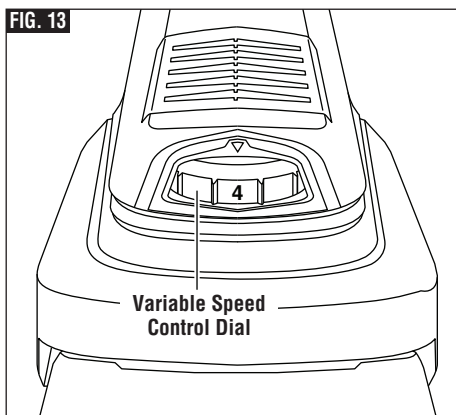
This tool is equipped with a variable speed control dial (Fig. 13). The speed may be controlled during operation by presetting the dial in any one of ten positions.

Operating Speeds

The Dremel Multi-Max™ consists of an DC motor and oscillating mechanism to perform applications such as cutting, grout removal, scraping, sanding and more.

The Dremel Multi-Max™ MM20V has a high oscillating motion of 10,000 - 20,000 /min (OPM). The high speed motion allows the Dremel Multi-Max™ to achieve excellent results. The oscillating motion allows the dust to fall to the surface rather than discharging particles into the air.

To achieve the best results when working with different materials, set the variable speed control to suit the job (See Speed Chart on page 18 & 19 for guidance). To select the right speed for the accessory in use, practice with scrap material first.



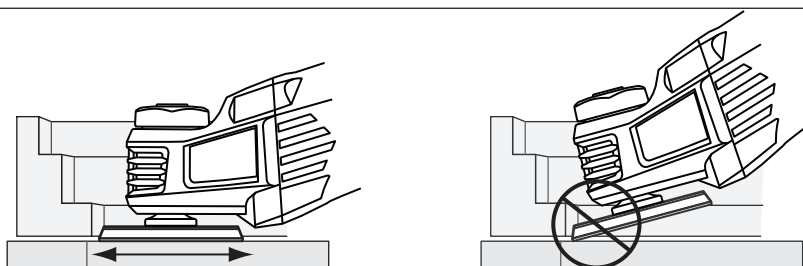
The variable speed control settings are marked on the speed control dial.

You can refer to the charts on the following pages to determine the proper speed dial setting, based on the material and accessory being used. These charts enable you to select both the correct accessory and the optimum speed dial setting at a glance.

Please refer to figures 14 - 16 for further instruction on how to use your Dremel Multi-Max™. Following these instructions will allow you to get the highest performance out of your oscillating tool.

SANDING TECHNIQUES

FIG. 14



CORRECT: Always sand with the pad and sandpaper flat against the work surface. Work smoothly in a back and forth motion, allowing the weight of the tool to do the work.

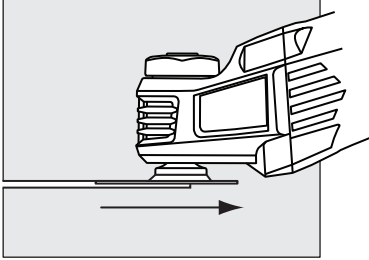
INCORRECT: Avoid tipping the pad. Always sand flat, keeping as much sand paper in contact with the work surface as possible.

Operating Instructions

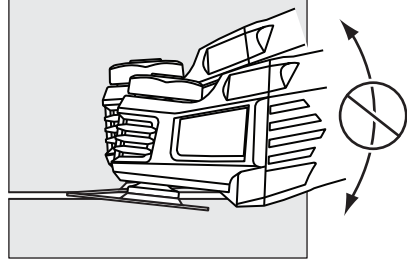
CUTTING TECHNIQUES

Cutting drywall or soft wood with MM450 blade

FIG. 15



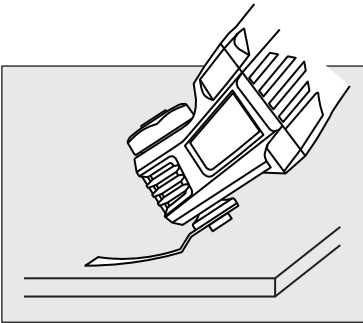
CORRECT: Always cut with a smooth back and forth motion. Never force the blade. Apply light pressure to guide the tool.



INCORRECT: Do not twist the tool while cutting. This can cause the blade to bind.

SCRAPING TECHNIQUES



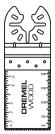
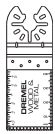
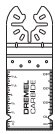
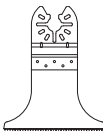


FIG. 16



When using the Flexible Scraper Blade, make sure to flex the blade enough to provide pressure against the workpiece and use a 30 - 45 degree pitch for best performance.

Accessories & Variable Speed Control Dial Settings








Use only Dremel, high-performance accessories.

	Description	Catalog Number	Soft Wood	Hard Wood	Painted Wood	Laminates	Steel	Aluminum/Copper	Vinyl/Carpet	Caulk/Adhesive	Stone/Cement	Grout
	60, 120, 240 Grit Paper - Bare Wood	MM70W	2 - 10	2 - 10	-	2 - 6	8 - 10	8 - 10	-	-	-	-
	60, 120, 240 Grit Paper - Paint	MM70P	2 - 10	2 - 10	2 - 10	2 - 6	8 - 10	8 - 10	-	-	-	-
	HCS Wood Flush Cut Blade 1-1/4" x 1-11/16"	MM480	8 - 10	6 - 10	-	2 - 6	-	-	-	-	-	-
	BiM Wood & Metal Flush Cut Blade 1-1/4" x 1-11/16"	MM482	8 - 10	6 - 10	-	2 - 6	8 - 10*	8 - 10	-	-	-	-
	Carbide Flush Cut Blade 1-1/4" x 1-11/16"	MM485	8 - 10	6 - 10	-	2 - 6	8 - 10	8 - 10	-	-	-	-
	BiM Wood & Metal Flush Cut Pipe & 2x4 Blade	MM494	8 - 10	6 - 10	-	2 - 6	8 - 10*	8 - 10	-	-	-	-
	3" Wood & Drywall Saw Blade	MM450	8 - 10	6 - 10	-	2 - 6	-	-	-	-	-	-
	3" BiM Wood & Metal Flush Cut Saw Blade	MM452	8 - 10	6 - 10	-	2 - 6	8 - 10*	8 - 10	-	-	-	-

* Soft Steel Only

Accessories & Variable Speed Control Dial Settings

Use only Dremel, high-performance accessories.

	Description	Catalog Number	Soft Wood	Hard Wood	Painted Wood	Laminates	Steel	Aluminum/ Copper	Vinyl/ Carpet	Caulk/ Adhesive	Stone/ Cement	Grout
	Multi-Knife Blade	MM430	-	-	-	-	-	-	6 - 10	-	-	-
	1/8" Grout Removal Blade	MM500	-	-	-	-	-	-	-	-	-	6 - 10
	1/16" Grout Removal Blade	MM501	-	-	-	-	-	-	-	-	-	6 - 10
	Rigid Scraper Blade	MM600	-	-	2 - 4	-	-	-	2 - 6	2 - 6	-	-
	Flexible Scraper Blade	MM610	-	-	2 - 4	-	-	-	-	2 - 6	-	-
	60 Grit Diamond Paper	MM910	-	-	-	-	-	-	-	-	6 - 10	6 - 10
	24 Grit Carbide Rasp	MM920	6 - 10	6 - 10	6 - 10	-	-	-	-	-	6 - 10	6 - 10

Operating Applications

APPLICATION

Your Dremel Multi-Max™ MM20V Tool is intended for sanding and cutting wooden materials, plastic, plaster and non-ferrous metals. It is especially suitable for working close to edges, in tight spaces, and for flush cutting. This tool must be used only with Dremel accessories.

Below are some typical uses for your Dremel Multi-Max™ Tool.

⚠ WARNING For all accessories, work with the accessory away from the body. Never position hand near or directly in front of working area. Always hold the tool with both hands and wear protective gloves.

Flush Cutting

Remove excess wood from door jamb, window sill and/or toekick. Removing excess copper or PVC pipe.

Removal work

e.g. carpets & backing, old tile adhesives, caulking on masonry, wood and other surfaces.

Removal of excess materials

e.g. plaster, mortar splatters, concrete on tiles, sills.

Preparation of surfaces

e.g. for new floors and tiles.

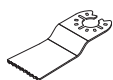
Detail sanding

e.g. for sanding in extremely tight areas otherwise difficult to reach and require hand sanding

CUTTING

Saw blades are ideal for making precise cuts in tight areas, close to edges or flush to a surface.

Select a medium to high speed for making initial plunge, start off at medium speed for increased control. After making your initial cut, you can increase speed for faster cutting ability.



Flush cutting blades are intended to make precise cuts to allow for installation of flooring or wall material. When flush cutting it is important not to force the tool during the plunge cut. If you experience a strong vibration in your hand during the plunge cut, this indicates that you are applying too much pressure. Back the tool

out and let the speed of the tool do the work. While keeping the teeth of the blade in the work surface, move the back of the tool in a slow side-to-side motion. This motion will help expedite the cut.

When making a flush cut it is always a good idea to have a piece of scrap material (tile or wood) supporting the blade. If you need to rest the flush cutting blade on a delicate surface, you should protect the surface with cardboard or masking tape.



The flat saw blade is ideal for making precise cuts in wood, plaster, and drywall material.

Applications include cutting openings in flooring for venting, repairing damaged flooring, and cutting openings for electrical boxes. The blade works best on softer woods such as pine. For harder woods, the blade life will be limited.

The flat saw blade can also be used for window restoration making glazing easy to remove. The saw blade can be placed directly against the edge of the window frame, guiding the blade through the glazing.

Pipe and 2x4 Cutting Accessory Model MM494



The pipe and 2x4 cutting blade has been designed to cut through thick materials, such as a 2x4, as well as tubing, such as conduit, copper and PVC piping.

GROUT REMOVAL



Grout removal blades are ideal for removing damaged or cracked grout. Grout blades come in different widths (1/16" and 1/8") to tackle different grout line widths. Before selecting a grout blade measure the grout line width to pick the appropriate blade.

To remove the grout, use a back and forth motion, making several passes along the grout line. The hardness of the grout will dictate how many passes are needed. Try and keep the grout blade aligned with the grout line and be careful not to apply too much side pressure on the grout blade during the process. To control plunge depth use the carbide grit line on the blade as an indicator. Be careful not to plunge beyond the carbide grit line to avoid damage to the backer board material.

Operating Applications

The grout blades can handle both sanded and unsanded grout. If you notice the blade clogging during the grout removal process, you can use a brass brush to clean the grit, thus exposing the grit again.

The grout blade geometry is designed so that the blade can remove all grout up to the surface of a wall or corner. This can be accomplished by ensuring that the segmented portion of the blade is facing the wall or corner.

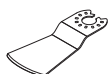
SCRAPING

Scrapers are suitable for removing old coats of varnish or adhesives, removing bonded carpeting, e.g. on stairs/steps and other small/medium size surfaces.



Rigid scrapers are for large area removal, and harder materials such as vinyl flooring, carpeting and tile adhesives. When removing strong, tacky adhesives, **grease the scraper blade surface with (petroleum jelly or silicone grease) to reduce gumming up.**

The carpet/vinyl flooring removes easier if it is scored prior to removal so the scraper blade can move underneath the flooring material.



Flexible scrapers are used for hard to reach areas and softer material such as caulk.

Mount the scraper blade with the logo side facing up. With the flexible scraper, use a 30 - 45 degree pitch for best performance. This can be accomplished by making sure that the tool is at an angle to the blade. You should be able to see the blade flex during the scraping process.

If you are removing caulk from a delicate surface such as a bath tub or tile back splash, we recommend taping or protecting the surface that the blade will rest on. Use rubbing alcohol to clean the surface after the caulk and/or adhesive is removed.

Turn the tool on and place desired accessory on the area where material is to be removed.

Begin with light pressure. The oscillating motion of accessory only occurs when pressure is applied to the material to be removed.

Excessive pressure can gouge or damage the background surfaces (e.g., wood, plaster).

SANDING



Sanding accessories are suitable for dry sanding of wood, metal, surfaces, corners and edges and hard to reach areas.

Work with the complete surface of the sanding pad, not only with the tip.

Corners may be finished using the tip or edge of the selected accessory, which should occasionally be rotated during use to distribute the wear on the accessory and backing pad surface.

Sand with a continuous motion and light pressure. **DO NOT** apply excessive pressure - let the tool do the work. Excessive pressure will result in poor handling, vibration, and unwanted sanding marks and premature wear on the sanding sheet.

Always be certain that smaller workpieces are securely fastened to a bench or other support. Larger panels may be held in place by hand on a bench or sawhorses.

Open-coat aluminum oxide sanding sheets are recommended for most wood or metal sanding applications, as this synthetic material cuts quickly and wears well. Some applications, such as metal finishing or cleaning, require special abrasive pads which are available from your dealer. For best results, use Dremel sanding accessories which are of superior quality and are carefully selected to produce professional quality results with your oscillating tool.

The following suggestions may be used as a general guide for abrasive selection, but the best results will be obtained by sanding a test sample of the workpiece first.

Grit	Application
Coarse	For rough wood or metal sanding, and rust or old finish removal.
Medium	For general wood or metal sanding
Fine	For final finishing of wood, metal, plaster and other surfaces.

With the workpiece firmly secured, turn tool on as described above. Contact the work with the tool after the tool has reached its full speed, and remove it from the work before switching the tool off. Operating your

Operating Applications

oscillating tool in this manner will prolong switch and motor life, and greatly increase the quality of your work.

Move the oscillating tool in long steady strokes parallel to the grain using some lateral motion to overlap the strokes by as much as 75%. DO NOT apply excessive pressure - let the tool do the work. Excessive pressure will result in poor handling, vibration, and unwanted sanding marks.

GRINDING



The diamond paper accessory allows for the Multi-Max™ to be used for grinding away cement, plaster or thin set. Preparing the surface for tile replacement is a common application for this accessory.

The diamond paper needs to be mounted to the backing pad prior to use.



The carbide rasp accessory also allows the Multi-Max™ to grind away cement, thinset mortar,

plaster, and also wood. This accessory is commonly used to prepare for tile replacement or rasping wood to smooth a surface or remove material.




The speed should be set at high speed for aggressive material removal or at low speed for a more detailed removal of material.

Do not apply excessive pressure on the tool - let it do the work.

Corners may be finished using the tip or edge of the selected accessory, which should occasionally be rotated during use to distribute the wear on the accessory and backing pad surface.

Grind with a continuous motion and light pressure. DO NOT apply excessive pressure - let the tool do the work. Excessive pressure will result in poor handling, vibration, and premature wear on the diamond paper sheet.

Selecting Sanding / Grinding Sheets

Material	Application	Grit Size	
All wooden materials (e.g., hardwood, softwood, chipboard, building board) Metal materials— Metal materials, fiberglass and plastics  Sand Paper (Dark)	For coarse-sanding, e.g. of rough, unplanned beams and boards	Coarse	60
	For face sanding and planing small irregularities	Medium	120
	For finish and fine sanding of wood	Fine	240
Paint, varnish, filling compound, and filler  Sand Paper (White)	For sanding off paint	Coarse	80
	For sanding primer (e.g., for removing brush dashes, drops of paint and paint run)	Medium	120
	For final sanding of primers before coating	Fine	240
Masonry, stone, cement and thin set  Diamond Paper	For smoothing, shaping and braking edges	Coarse	60

Maintenance

⚠ WARNING To avoid accidents, always disconnect the battery pack from tool before servicing or cleaning.

Service

⚠ WARNING NO USER SERVICE-ABLE PARTS INSIDE. Preventive maintenance performed by unauthorized personnel may result in misplacing of internal wires and components which could cause serious hazard. We recommend that all tool service be performed by a Dremel Service Center. SERVICEMEN: Disconnect tool and/or charger from power source before servicing.

Batteries

Be alert for battery packs that are nearing their end of life. If you notice decreased tool performance or significantly shorter running time between charges then it is time to replace the battery pack. Failure to do so can cause the tool to operate improperly or damage the charger.

Cleaning

⚠ CAUTION Certain cleaning agents and solvents damage plastic parts. Some of these are: gasoline, carbon tetrachloride, chlorinated cleaning solvents, ammonia and household detergents that contain ammonia.

Ventilation openings and switch levers must be kept clean and free of foreign matter. Do not attempt to clean by inserting pointed objects through opening

Storage

1. Remove the battery from the MM20V Multi-Max™.
2. Place the tool and the battery on a clean, dry, dust free and preferably noncombustible surface, in an area where the temperature range is between 65-85 F (16-29C). Make sure that the area is not cluttered with other tools or objects.
3. Remove any battery from the charger when the charging cycle is complete and unplug the charger from the power source. Store the battery as described in #2 above.

Dremel® Limited Warranty

Your Dremel product is warranted against defective material or workmanship for a period of two years from date of purchase. In the event of a failure of a product to conform to this written warranty, please take the following action:

1. DO NOT return your product to the place of purchase.
2. Carefully package the product by itself, with no other items, and return it, freight prepaid, along with:
 - A. A copy of your dated proof of purchase (please keep a copy for yourself).
 - B. A written statement about the nature of the problem.
 - C. Your name, address and phone number to:

UNITED STATES

Robert Bosch Tool Corporation
Dremel Repairs 173 Lawrence
428 Dock #2
Walnut Ridge, AR 72476

OR

CANADA

Giles Tool Agency
47 Granger Av.
Scarborough, Ontario Canada
M1K 3K9 1-416-287-3000

OUTSIDE CONTINENTAL UNITED STATES CONTINENTAL UNITED STATES

See your local distributor or write to:

Dremel Repairs 173 Lawrence 428 Dock #2 Walnut Ridge, AR 72476

We recommend that the package be insured against loss or in transit damage for which we cannot be responsible.

This warranty applies only to the original registered purchaser. DAMAGE TO THE PRODUCT RESULTING FROM TAMPERING, ACCIDENT, ABUSE, NEGLIGENCE, UNAUTHORIZED REPAIRS OR ALTERATIONS, UNAPPROVED ATTACHMENTS OR OTHER CAUSES UNRELATED TO PROBLEMS WITH MATERIAL OR WORKMANSHIP ARE NOT COVERED BY THIS WARRANTY.

No employee, agent, dealer or other person is authorized to give any warranties on behalf of Dremel. If Dremel inspection shows that the problem was caused by problems with material or workmanship within the limitations of the warranty, Dremel will repair or replace the product free of charge and return product prepaid. Repairs made necessary by normal wear or abuse, or repair for product outside the warranty period, if they can be made, will be charged at regular factory prices.

DREMEL MAKES NO OTHER WARRANTY OF ANY KIND WHATEVER, EXPRESSED OR IMPLIED, AND ALL IMPLIED WARRANTIES OF MERCHANTABILITY AND FITNESS FOR A PARTICULAR PURPOSE WHICH EXCEED THE ABOVE MENTIONED OBLIGATION ARE HEREBY DISCLAIMED BY DREMEL AND EXCLUDED FROM THIS LIMITED WARRANTY.

This warranty gives you specific legal rights and you may also have other rights which vary from state to state. The obligation of the warrantor is solely to repair or replace the product. The warrantor is not liable for any incidental or consequential damages due to any such alleged defect. Some states do not allow the exclusion or limitation of incidental or consequential damages, so the above limitations or exclusion may not apply to you.

For prices and warranty fulfillment in the continental United States, contact your local Dremel distributor.

Exportado por: © Robert Bosch Tool Corporation Mt. Prospect, IL 60056 -2230, E.U.A.

Importado a México por: Robert Bosch, S. de R.L. de C.V.
Calle Robert Bosch No. 405 - 50071 Toluca, Edo. de Méx. - México
Tel. 052 (722) 279 2300 ext 1160 / Fax. 052 (722) 216-6656

Symboles relatifs à la sécurité

Les définitions ci-dessous décrivent le niveau de gravité pour chaque terme signalant un danger. Veuillez lire le mode d'emploi et lire la signification de ces symboles.

	C'est le symbole d'alerte relatif à la sécurité. Il est utilisé pour vous avertir de l'existence possible d'un danger de lésion corporelle. Obéissez à tous les messages relatifs à la sécurité qui suivent ce symbole pour éviter tout risque de blessure ou même de mort.
	DANGER indique une situation dangereuse qui, si elle n'est pas évitée, causera la mort d'une personne ou une blessure grave.
	AVERTISSEMENT indique une situation dangereuse qui, si elle n'est pas évitée, pourrait causer la mort d'une personne ou une blessure grave.
	MISE EN GARDE indique une situation dangereuse qui, si elle n'est pas évitée, pourrait causer une blessure légère ou modérée.

Avertissements généraux concernant la sécurité des outils électroportatifs

AVERTISSEMENT Veuillez lire tous les avertissements et toutes les consignes de sécurité. Si l'on n'observe pas ces avertissements et ces consignes de sécurité, il existe un risque de choc électrique, d'incendie et/ou de blessures corporelles graves.

CONSERVEZ TOUS LES AVERTISSEMENTS ET TOUTES LES CONSIGNES DE SÉCURITÉ POUR RÉFÉRENCE FUTURE.

Dans les avertissements, le terme « outil électroportatif » se rapporte à votre outil branché sur le secteur (avec fil) ou à votre outil alimenté par piles (sans fil).

1. Sécurité du lieu de travail

- Maintenez le lieu de travail propre et bien éclairé.** Les risques d'accident sont plus élevés quand on travaille dans un endroit encombré ou sombre.
- N'utilisez pas d'outils électroportatifs dans des atmosphères explosives, comme par exemple en présence de gaz, de poussières ou de liquides inflammables.** Les outils électroportatifs produisent des étincelles qui risquent d'enflammer les poussières ou les vapeurs.
- Éloignez les enfants et les visiteurs quand vous vous servez d'un outil électroportatif.** Vous risquez une perte de contrôle si on vous distrait.

2. Sécurité électrique

- Les fiches des outils électroportatifs doivent correspondre à la prise. Il ne faut absolument jamais modifier la fiche. N'utilisez pas d'adaptateur de prise avec des outils électroportatifs munis d'une fiche de terre.** Le risque de choc électrique est moindre si on utilise une fiche non modifiée sur une prise qui lui correspond.

- Évitez tout contact du corps avec des surfaces reliées à la terre tels que tuyaux, radiateurs, gazinières ou réfrigérateurs.** Le risque de choc électrique augmente si votre corps est relié à la terre.
- N'exposez pas les outils électroportatifs à la pluie ou à l'humidité.** Si de l'eau pénètre dans un outil électroportatif, le risque de choc électrique augmente.
- Ne maltraitez pas le cordon. Ne vous en servez jamais pour transporter l'outil électroportatif, pour le tirer ou pour le débrancher. Éloignez le cordon de la chaleur, des huiles, des arêtes coupantes ou des pièces mobiles.** Les cordons abîmés ou emmêlés augmentent les risques de choc électrique.
- Si vous utilisez un outil électroportatif à l'extérieur, employez une rallonge conçue pour l'extérieur.** Ces rallonges sont faites pour l'extérieur et réduisent le risque de choc électrique.
- S'il est absolument nécessaire d'utiliser l'outil électroportatif dans un endroit humide, utilisez une alimentation protégée par un disjoncteur de fuite de terre (GFCI).** L'utilisation d'un disjoncteur GFCI réduit les risques de choc électrique.

Avertissements généraux concernant la sécurité des outils électroportatifs

3. Sécurité personnelle

- a. **Restez concentré, faites attention à ce que vous faites, et servez-vous de votre bon sens lorsque vous utilisez un outil électroportatif. N'employez pas d'outils électroportatifs quand vous êtes fatigué ou sous l'emprise de drogues, d'alcool ou de médicaments.** Quand on utilise des outils électroportatifs, il suffit d'un moment d'inattention pour causer des blessures corporelles graves.
- b. **Utilisez des équipements de sécurité personnelle. Portez toujours une protection oculaire.** Le port d'équipements de sécurité tels que des masques antipoussières, des chaussures de sécurité antidérapantes, des casques de chantier et des protecteurs d'oreilles dans des conditions appropriées réduira le risque de blessure corporelle.
- c. **Évitez les démarrages intempestifs. Assurez-vous que l'interrupteur est dans la position arrêt (Off) avant de brancher l'outil dans une prise de courant et/ou un bloc-piles, de le ramasser ou de le transporter.** Le transport d'un outil électroportatif avec le doigt sur la gâchette ou le branchement de cet outil quand l'interrupteur est en position de marche (ON) est une invite aux accidents.
- d. **Enlevez toutes les clés de réglage avant de mettre l'outil électroportatif en marche.** Si on laisse une clé sur une pièce tournante de l'outil électroportatif, il y a risque de blessure corporelle.
- e. **Ne vous penchez pas. Conservez toujours une bonne assise et un bon équilibre.** Ceci vous permettra de mieux maîtriser l'outil électroportatif dans des situations inattendues.
- f. **Habilitez-vous de manière appropriée. Ne portez pas de vêtements amples ou de bijoux. Attachez les cheveux longs. N'approchez pas les cheveux, les vêtements ou les gants des pièces en mouvement.** Les vêtements amples, les bijoux ou les cheveux longs risquent d'être happés par les pièces en mouvement.
- g. **Si l'outil est muni de dispositifs permettant le raccordement d'un système d'aspiration et de collecte des poussières, assurez-vous que ces dispositifs sont raccordés et utilisés correctement.** L'utilisation d'un dépoussiéreur peut réduire les dangers associés à l'accumulation de poussière.

4. Utilisation et entretien des outils électroportatifs

- a. **Ne forcez pas sur l'outil électroportatif. Utilisez l'outil électroportatif qui convient à la tâche à effectuer.** L'outil qui convient à la tâche fait un

meilleur travail et est plus sûr à la vitesse pour lequel il a été conçu.

- b. **Ne vous servez pas de l'outil électroportatif si son interrupteur ne parvient pas à le mettre en marche ou à l'arrêter.** Tout outil électroportatif qui ne peut pas être commandé par son interrupteur est dangereux et doit être réparé.
- c. **Débranchez la fiche de la prise ou enlevez le bloc-pile de l'outil électroportatif avant tout réglage, changement d'accessoires ou avant de ranger l'outil électroportatif.** De telles mesures de sécurité préventive réduisent le risque de démarrage intempestif de l'outil électroportatif.
- d. **Rangez les outils électroportatifs dont vous ne vous servez pas hors de portée des enfants et ne permettez pas à des personnes qui ne connaissent pas l'outil électroportatif ou qui ignorent ces consignes de s'en servir.** Les outils électroportatifs sont dangereux dans les mains d'utilisateurs inexpérimentés.
- e. **Entretenez les outils électroportatifs. Vérifiez que les pièces mobiles sont alignées correctement et ne coïncent pas. Vérifiez qu'il n'y a pas de pièces cassées ou d'autre circonstance qui risquent d'affecter le fonctionnement de l'outil électroportatif. Si l'outil est abîmé, faites-le réparer avant de l'utiliser.** De nombreux accidents sont causés par des outils électroportatifs mal entretenus.
- f. **Maintenez les outils coupants affûtés et propres.** Les outils coupants entretenus correctement et dotés de bords tranchants affûtés sont moins susceptibles de coincer et sont plus faciles à maîtriser.
- g. **Utilisez l'outil électroportatif, les accessoires et les embouts d'outil, etc. conformément à ces instructions, en tenant compte des conditions de travail et des travaux à réaliser.** L'emploi d'outils électroportatifs pour des tâches différentes de celles pour lesquelles ils ont été prévus peut résulter en une situation dangereuse.

5. Utilisation et entretien des outils à piles

- a. **Rechargez les piles uniquement avec le chargeur spécifié par le fabricant.** Un chargeur qui convient à un type de bloc-piles peut entraîner un risque d'incendie quand il est utilisé avec un autre bloc-piles.
- b. **Utilisez des outils électroportatifs uniquement avec les bloc-piles spécifiquement désignés pour eux.** L'utilisation de tout autre bloc-piles peut créer un risque de blessures et d'incendie.

Avertissements généraux concernant la sécurité des outils électroportatifs

- c. **Lorsque le bloc-piles n'est pas utilisé, gardez-le à distances d'autres objets métalliques tels que des trombones, des pièces de monnaie, des clés, des clous, des vis ou de tout autre objet métallique pouvant faire une connexion entre une borne et une autre.** Court-circuiter les bornes des piles peut causer des brûlures ou un incendie.
 - d. **Dans des conditions abusives, du liquide peut être éjecté de la pile ; dans un tel cas, évitez tout contact avec ce liquide. Si un contact se produit accidentellement, rincez avec de l'eau. Si le liquide**
- entre en contact avec les yeux, consultez un médecin.** Du liquide éjecté de la pile peut causer des irritations ou des brûlures.

6. Entretien

- a. **Faites réparer votre outil électroportatif par un agent de service qualifié n'utilisant que des pièces de rechange identiques.** Ceci assure que la sécurité de l'outil électroportatif est préservée.

Consignes de sécurité pour les outils oscillants

- a. **Tenez seulement l'outil électroportatif par ses surfaces de préhension isolées lorsque vous effectuez une opération lors de laquelle l'accessoire de coupe peut entrer en contact avec des câbles cachés ou son propre cordon d'alimentation.** L'entrée en contact d'un accessoire de coupe avec un fil sous tension pourrait rendre conductrices des parties en métal exposées de l'outil électroportatif et causer un choc électrique à l'opérateur.
- b. **Utilisez des brides ou d'autres moyens pratiques de brider ou de supporter la pièce sur une plate-forme stable.** Tenir la pièce à la main ou contre le corps est instable et risque de résulter en une perte de contrôle.
- c. **Ne percez, fixez et ne rentrez pas dans des murs existants ou autres endroits aveugles pouvant abriter des fils électriques.** Si cette situation est inévitable, débranchez tous les fusibles ou les disjoncteurs alimentant ce site.
- d. **Utilisez un détecteur de métaux afin d'établir s'il y a des tuyaux d'eau ou à gaz dissimulés dans l'aire de travail ou appelez la compagnie de service public locale pour assistance avant de commencer l'opération.** Le fait de frapper une conduite de gaz ou de couper dans celle-ci provoquera une explosion. L'eau pénétrant dans un appareil électrique peut entraîner une électrocution.
- e. **Tenez toujours l'outil fermement à deux mains pour mieux le maîtriser. Conservez toujours une bonne assise et un bon équilibre.** Ceci vous permettra de mieux maîtriser l'outil électroportatif dans des situations inattendues.
- f. **Tenez les mains à l'écart de l'aire de coupe. Ne tendez pas la main sous la lame de scie ou à proximité de celle-ci.** La proximité de la lame par rapport à votre main peut vous être dissimulée.
- g. **N'utilisez pas de lames émoussées ou endommagées.** Les lames pliées peuvent aisément se fracturer ou causer un rebond.
- h. **Faites extrêmement attention lorsque vous manipulez des accessoires.** Les accessoires sont très tranchants.
- i. **Portez des gants de protection lorsque vous changez des accessoires de coupe.** Les accessoires deviennent très chauds après une utilisation prolongée.
- j. **Utilisez des gants épais et rembourrés, et limitez la durée d'exposition en faisant des pauses fréquentes.** Les vibrations causées par l'outil pourraient être nuisibles aux mains et aux bras.
- k. **Avant de racler, vérifiez l'ouvrage pour y relever des clous. Si vous relevez des clous, enlevez-les ou enfoncez-les bien en dessous de la surface finie recherchée.** Le contact du bord de l'accessoire avec un clou pourrait faire sauter l'outil.
- l. **Ne poncez pas par voie humide à l'aide de cette outil.** Les liquides pénétrant dans le carter du moteur peuvent créer un risque d'électrocution.
- m. **Ne travaillez jamais dans un endroit qui est imbibé de liquide, tel que solvant ou eau, ou humecté tel qu'un papier peint nouvellement appliqué.** Il existe un danger de secousses électriques en travaillant dans ces conditions avec un outil électrique, et le chauffage du liquide causé par le raclage peut faire dégager des vapeurs nocives du matériau.
- n. **Portez toujours des lunettes de protection et un masque anti-poussières pour les applications poussiéreuses et lors du ponçage au-dessus de la tête.** Des particules de ponçage peuvent être absorbées par vos yeux et inhalées facilement et peuvent causer des problèmes de santé.

- o. Utilisez des précautions spéciales en ponçant le bois d'oeuvre traité chimiquement par pression, la peinture pouvant contenir du plomb, ou tout autre matériau qui peut contenir des agents cancérigènes.** Toutes les personnes pénétrant dans la zone de travail doivent porter un respirateur et des vêtements protecteurs adéquats. L'aire de travail doit être scellée par des feuilles en plastique, et les personnes non protégées doivent être maintenues à l'extérieur jusqu'à ce que l'aire de travail soit dûment nettoyée.
- p. N'utilisez pas du papier de verre destiné à des blocs de ponçage plus gros.** Le papier de verre de dimensions plus grandes fera saillie au-delà du bloc de ponçage entraînant ainsi des accrocs, un déchirement du papier ou un rebond. Le papier supplémentaire faisant saillie au-delà du bloc de ponçage peut également causer des lacerations graves.

Avertissements supplémentaires concernant la sécurité

Inspectez toujours la lame avant chaque utilisation pour vous assurer qu'elle n'est pas endommagée (cassée ou fêlée). Ne vous en servez pas si vous pensez qu'elle peut être endommagée.

L'emploi d'un GFCI et de dispositifs de protection personnelle tels que gants et chaussures d'électricien en caoutchouc améliorent votre sécurité personnelle.

N'utilisez pas un outil conçu uniquement pour le C.A. sur une alimentation en C.C. Même si l'outil semble fonctionner, les composants électriques d'un outil prévu pour le C.A. tomberont probablement en panne et risquent de créer un danger pour l'utilisateur.

Maintenez les poignées sèches et exemptes d'huile et de graisse. On ne peut pas maîtriser un outil électroportatif en toute sécurité quand on a les mains glissantes.

Créez un agenda d'entretien périodique pour votre outil. Quand vous nettoyez un outil, faites attention de n'en démonter aucune pièce car il est toujours possible de mal remonter ou de pincer les fils internes ou de remonter incorrectement les ressorts de rappel des capots de protection. Certains agents de nettoyage tels que l'essence, le tétrachlorure de carbone, l'ammoniaque, etc. risquent d'abîmer les plastiques.

Risque de blessure pour l'utilisateur. Le cordon d'alimentation électrique ne doit être réparé que par un Centre de service usine de Dremel ou à un centre de service après-vente Dremel agréé.








⚠ AVERTISSEMENT Les travaux à la machine tel que ponçage, sciage, meulage, perçage et autres travaux du bâtiment peuvent créer des poussières contenant des produits chimiques qui sont des causes reconnues de cancer, de malformation congénitale ou d'autres problèmes reproductifs. Ces produits chimiques sont, par exemple :

- Le plomb provenant des peintures à base de plomb,
- Les cristaux de silices provenant des briques et du ciment et d'autres produits de maçonnerie, et
- L'arsenic et le chrome provenant des bois traités chimiquement.

Le niveau de risque dû à cette exposition varie avec la fréquence de ces types de travaux. Pour réduire l'exposition à ces produits chimiques, il faut travailler dans un lieu bien ventilé et porter un équipement de sécurité approprié tel que certains masques à poussière conçus spécialement pour filtrer les particules microscopiques.

Symboles

Important : Certains des symboles suivants peuvent être utilisés sur votre outil. Veuillez les étudier et apprendre leur signification. Une interprétation appropriée de ces symboles vous permettra d'utiliser l'outil de façon plus efficace et plus sûre.

Symbole	Désignation / Explication
V	Volts (tension)
A	Ampères (courant)
Hz	Hertz (fréquence, cycles par seconde)
W	Watt (puissance)
kg	Kilogrammes (poids)
min	Minutes (temps)
s	Secondes (temps)
∅	Diamètre (taille des mèches de perceuse, meules, etc.)
n_0	Vitesse à vide (vitesse de rotation, à vide)
n	Vitesse nominale (vitesse maximum pouvant être atteinte)
.../min	Tours ou mouvement alternatif par minute (tours, coups, vitesse en surface, orbites, etc., par minute)
0	Position d'arrêt (vitesse zéro, couple zéro ...)
1, 2, 3, ... I, II, III,	Réglages du sélecteur (Réglages de vitesse, de couple ou de position. Un nombre plus élevé signifie une vitesse plus grande)
	Sélecteur variable à l'infini avec arrêt (La vitesse augmente depuis le réglage 0)
	Flèche (action dans la direction de la flèche)
	Courant alternatif (type ou caractéristique du courant)
	Courant continu (type ou caractéristique du courant)
	Courant alternatif ou continu (type ou caractéristique du courant)
	Construction classe II (désigne des outils construits avec double isolation)
	Borne de terre (borne de mise à la terre)

Symboles

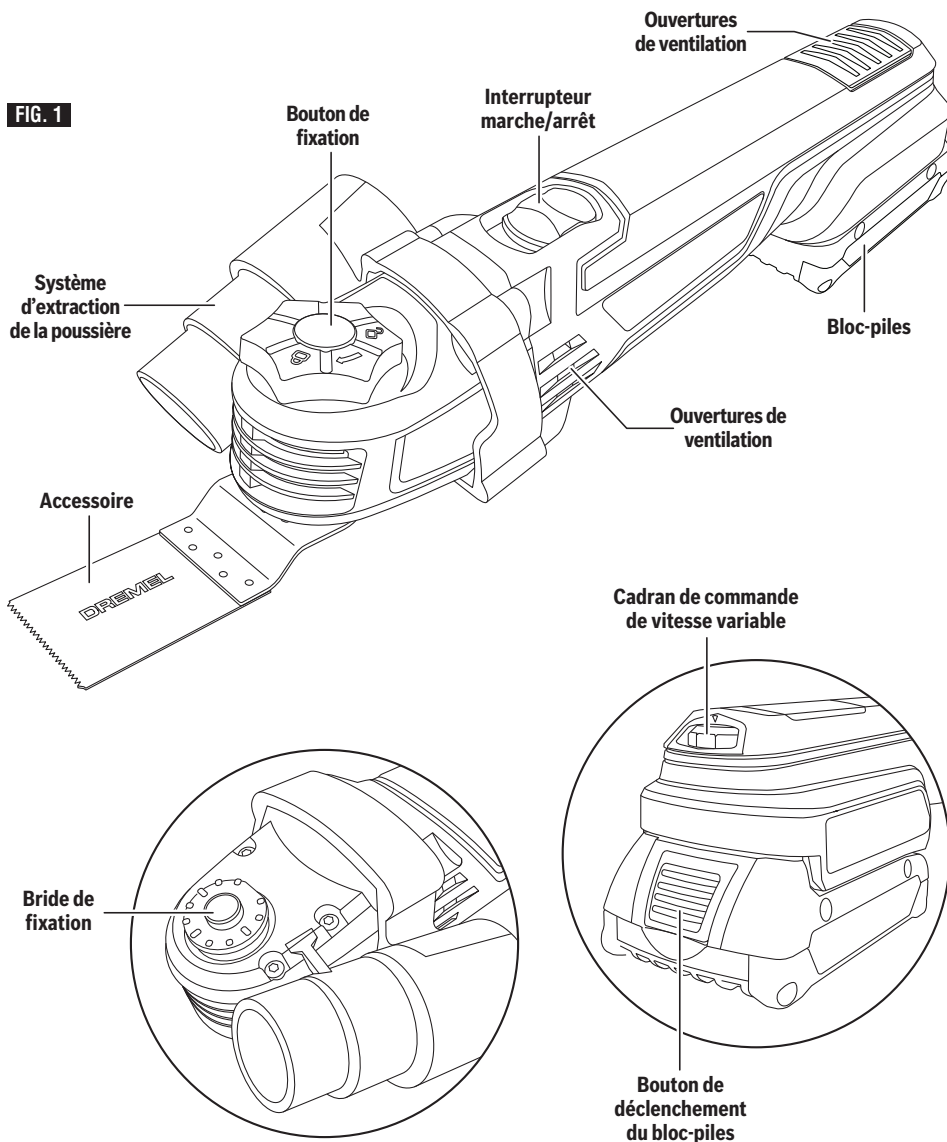
Important : Certains des symboles suivants peuvent être utilisés sur votre outil. Veuillez les étudier et apprendre leur signification. Une interprétation appropriée de ces symboles vous permettra d'utiliser l'outil de façon plus efficace et plus sûre.

Symbole	Désignation/Explication
	Alerte l'utilisateur pour lire le mode d'emploi.
	Alerte l'utilisateur pour porter des lunettes de sécurité.
	Alerte l'utilisateur pour porter une protection respiratoire.
	Alerte l'utilisateur pour porter des protecteurs d'oreilles.
	Fait savoir à l'utilisateur qu'il doit porter des protections oculaires, respiratoires et auditives.
	Ce symbole signifie que cet outil est approuvé par Underwriters Laboratories selon les normes des États-Unis et du Canada.
	Ce symbole signifie que cet outil est approuvé par l'Association canadienne de normalisation.
	Ce symbole signifie que cet outil est approuvé par l'Association canadienne de normalisation selon les normes des États-Unis et du Canada.
	Ce symbole signifie que cet outil est approuvé par Intertek Testing Services selon les normes des États-Unis et du Canada.
	Désigne le programme de recyclage des piles Li-ion.


Description fonctionnelle et spécifications

AVERTISSEMENT Débranchez le bloc-piles de l'outil avant d'effectuer tout assemblage ou réglage, ou de changer des accessoires. Ces mesures de sécurité préventives réduisent le risque d'une mise en marche accidentelle de l'outil.

Outil multifonction oscillant MM20V Multi-Max™



Spécifications

Numéro de modèle	MM20V
Tension nominale	18V/20V  Max.
Régime à vide	n_0 10,000-20,000/min

REMARQUE : Pour spécifications de l'outil, reportez-vous à la plaque signalétique de votre outil.

Bloc-piles/chargeurs

Veuillez vous référer à la liste des piles/chargeurs accompagnant votre outil.

Introduction

Nous vous remercions pour votre achat de l'outil Multi-Max™ de Dremel.

Cet outil a été conçu pour les projets de réparation, de remaniement et de restauration dans un cadre résidentiel. L'outil Multi-Max™ de Dremel permet de réaliser des tâches qui sont laborieuses, qui prennent beaucoup de temps ou qui sont même pratiquement impossibles à réaliser avec n'importe quel autre outil. Le bâti ergonomique est conçu pour vous permettre de tenir et de contrôler l'outil de façon confortable pendant son utilisation.

Il est livré avec des accessoires de haute qualité, spécialement conçus pour les travaux de remodelage pour lesquels vous avez besoin de précision et de contrôle.

Votre outil Multi-Max™ de Dremel a un moteur électrique robuste, est confortable dans la main et a été conçu de façon à pouvoir accepter un grand nombre d'accessoires différents, dont des lames pour coupes à ras, des lames à racler, des meules d'enlèvement de coulis et des feuilles de papier abrasif.

Les accessoires sont fournis avec des formes variées qui vous permettent d'effectuer diverses opérations. En vous familiarisant avec la gamme des accessoires et leurs utilisations, vous apprendrez à quel point votre outil Dremel Multi-Max™ MM20V est vraiment un outil polyvalent.

Visitez www.dremel.com pour en apprendre davantage sur tout ce que vous pouvez faire avec votre outil Multi-Max™ de Dremel.

Utilisations prévues

Cet outil Dremel Multi-Max™ MM20V est un outil polyvalent qui constitue un élément essentiel de toute boîte à outils. L'outil Multi-Max MM20V utilise un mouvement rapide d'un côté à l'autre pour couper, racler, poncer, enlever le coulis, meuler et bien plus encore. Grâce à sa polyvalence, sa durabilité et son contrôle supérieurs, vous pouvez vous attaquer à un large éventail de projets de bricolage pour la réparation, le remodelage et la restauration. Quel que soit le projet – l'outil Multi-Max™ offre une solution simple avec des possibilités infinies.

Assemblage

⚠ AVERTISSEMENT Débranchez le bloc-piles de l'outil avant d'effectuer tout assemblage ou réglage, ou de changer des accessoires. Ces mesures de sécurité préventives réduisent le risque d'une mise en marche accidentelle de l'outil.

Insertion et retrait du bloc-piles

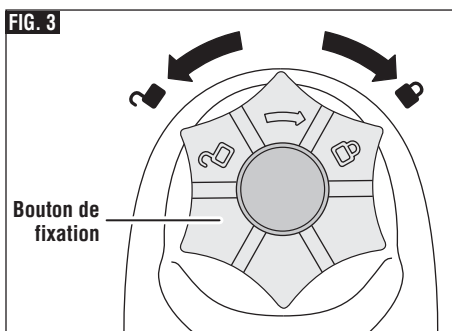
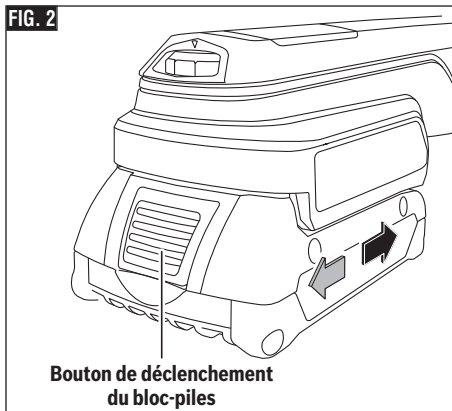
⚠ AVERTISSEMENT Utilisez uniquement Dremel B20V20 ou les batteries répertoriées dans la liste des batteries / chargeurs. L'utilisation d'autres types de piles peut entraîner des blessures corporelles ou des dommages matériels.

Assurez-vous que l'interrupteur est en position d'arrêt avant d'insérer la batterie. L'insertion de la batterie dans des outils électriques dont l'interrupteur est allumé provoque des accidents.

Faites glisser la batterie chargée dans le boîtier jusqu'à ce qu'elle se verrouille en position (Fig. 2).

Votre outil est équipé d'un verrou de verrouillage secondaire pour empêcher la batterie de tomber complètement hors du boîtier de l'outil, si elle se détache pendant l'utilisation.

Pour retirer la batterie, appuyez sur le bouton de déverrouillage de la batterie et faites glisser la batterie complètement hors du boîtier de l'outil (Fig. 2).

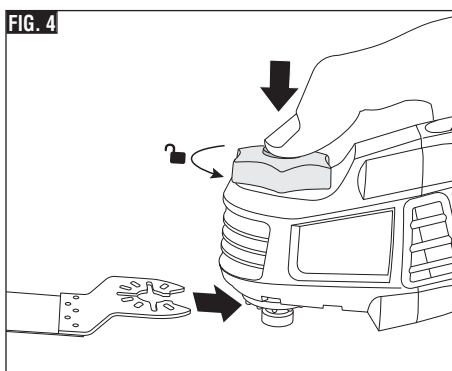


Installation et retrait des accessoires avec le système de changement d'accessoires quick lock™

⚠ AVERTISSEMENT Portez toujours des gants de protection pour toutes les opérations et pour changer les accessoires. De telles mesures de sécurité à titre préventif réduisent le risque de blessures causées par les bords tranchants des accessoires. De plus, les outils d'applications peuvent devenir très chauds après un emploi prolongé. Risque de brûlures !

⚠ AVERTISSEMENT Utilisez seulement des accessoires Bosch prévus pour fonctionner à une vitesse d'au moins 21 000 OPM. L'utilisation d'accessoires qui ne sont pas conçus pour cet outil électrique pourrait causer des blessures graves et des dommages matériels.

L'outil Dremel Multi-Max™ MM20V comprend un mécanisme de changement d'accessoires intégré. L'interface pour les accessoires Quick Lock™ vous permet d'installer et de retirer des accessoires sans avoir besoin de vous servir d'une clé hexagonale ou d'une clé à ouverture fixe.



Assemblage

1. Pour installer un accessoire à l'aide du dispositif Easy-Lock, desserrez d'abord le bouton de fixation en tournant dans le sens contraire des aiguilles d'une montre (Fig. 3).
2. Exercez une pression sur le bouton de fixation de sorte que la bride de fixation soit suffisamment étendue pour qu'une lame puisse être insérée entre la bride de fixation et l'interface. Vous devrez peut-être desserrer davantage le bouton de fixation afin de laisser suffisamment d'espace pour insérer l'accessoire. (Fig. 4)
3. Placez l'accessoire sur l'interface en vérifiant que toutes les broches de l'interface entrent bien dans l'accessoire et que celui-ci est placé au ras du porte-accessoire (Fig. 5).
4. Relâchez la pression exercée sur le bouton de fixation. Le ressort du mécanisme maintiendra la lame en place pendant que vous la sécurisez (Fig. 6).
5. Serrez le bouton de fixation en tournant dans le sens des aiguilles d'une montre (Fig. 3). Serrez bien à fond, c'est-à-dire jusqu'à ce que vous ne puissiez plus tourner davantage le bouton de fixation (sans forcer).

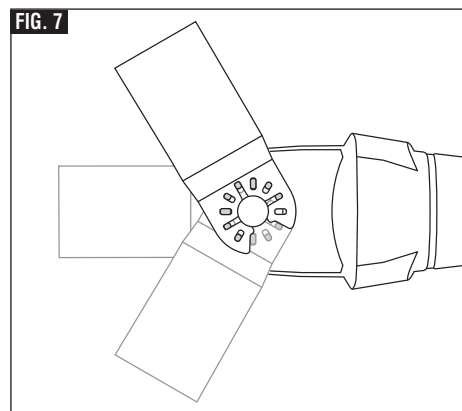
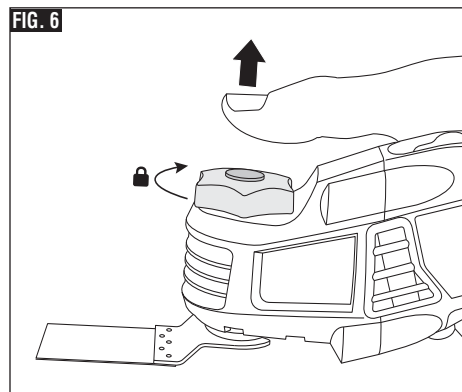
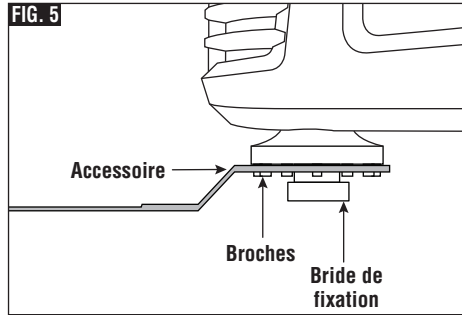
Remarque : Certains accessoires, comme les grattoirs ou les lames, peuvent être montés tout droit sur l'outil ou à un certain angle afin d'être plus faciles à utiliser (Fig. 7).

Pour faire ceci avec l'interface Easy-Lock, placez l'accessoire dans le porte-accessoire en vérifiant que toutes les broches entrent bien dans le porte-accessoire et que l'accessoire soit placé au ras du porte-accessoire. Verrouillez l'accessoire et maintenez-le solidement en place conformément à la description ci-dessus (Fig. 3).

Retrait des accessoires avec le dispositif de changement des accessoires Easy-Lock

1. Pour retirer un accessoire, desserrez d'abord le bouton de fixation en tournant dans le sens contraire des aiguilles d'une montre (Fig. 3).
2. Appuyez sur le bouton de fixation et levez le support de l'accessoire pour le détacher des broches. Vous devrez peut-être desserrer le bouton de fixation davantage afin de laisser suffisamment d'espace pour retirer l'accessoire. (Fig. 4)

Remarque : Il se peut que la lame soit très chaude après utilisation ; attendez que la lame refroidisse avant de la toucher.



Assemblage

Installation et retrait des feuilles de papier abrasif

Votre plaque de support utilise des accessoires à fixation par bandes velcro qui s'attachent solidement à la plaque de support quand une pression modérée est appliquée.

1. Alignez la feuille de papier abrasif et appuyez-la à la main sur la plaque à poncer.
2. Appuyez fermement sur l'outil électrique avec la feuille de papier abrasif contre une surface plate et mettez l'outil en marche pendant quelques secondes. Ceci assurera une adhésion adéquate et contribuera à éviter une usure prématurée.
3. Pour remplacer la feuille de papier abrasif, pelez simplement l'ancienne feuille, enlevez la poussière de la plaque de support si besoin est, et appuyez sur la nouvelle feuille de papier abrasif pour la mettre en place.

Après une période de service considérable, la surface de la plaque de support commencera à s'user. La plaque de support devra être remplacée quand elle ne permettra plus d'accrocher adéquatement les feuilles de papier abrasif. Si vous constatez une usure prématurée de la surface de la plaque de support, réduisez la force de pression que vous utilisez pendant le fonctionnement de l'outil.

Pour utiliser le papier abrasif au maximum, faites tourner la plaque de 120 degrés lorsque les pointes des grains abrasifs sont usées.

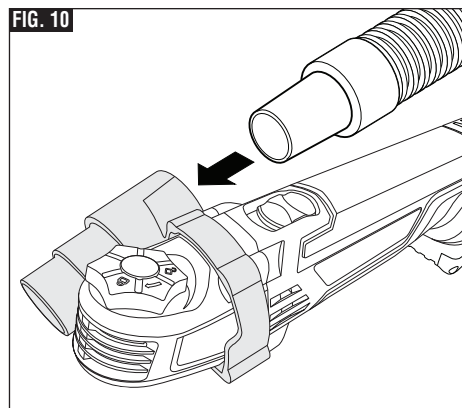
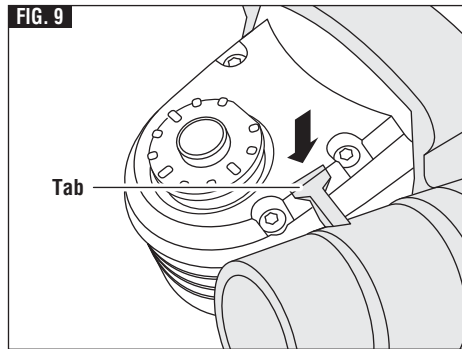
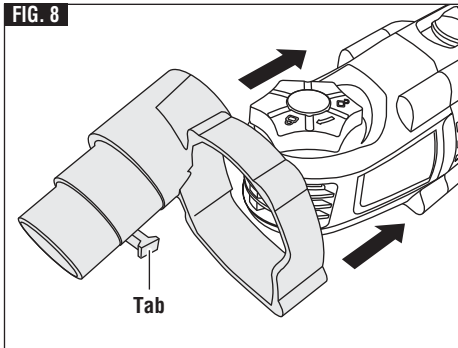
Gestion de la poussière

⚠ AVERTISSEMENT L'aspirateur doit être approprié pour le matériau sur lequel vous devez travailler. Lorsque vous aspirez de la poussière sèche qui est particulièrement toxique pour la santé ou peut même être cancérigène, utilisez un aspirateur conçu spécifiquement pour une telle application.

Votre outil Dremel MM20V comprend un système d'extraction de la poussière qui vous aide à garder votre zone de travail propre.

Pour l'attacher, faites glisser l'adaptateur du système d'extraction de la poussière au-dessus de l'extrémité avant de l'outil MM20V (Fig. 8). Faites glisser l'adaptateur vers l'arrière de l'outil jusqu'à ce qu'il s'adapte parfaitement au-dessus du corps. Sécurisez l'adaptateur du système d'extraction de la poussière en insérant la languette dans la partie inférieure de l'outil MM20V (Fig. 9).

Connectez le tuyau d'aspiration (non inclus) dans l'adaptateur, puis connectez l'extrémité opposée du tuyau à un aspirateur d'atelier (Fig. 10).



Instructions d'utilisation

⚠ AVERTISSEMENT Débranchez le bloc-piles de l'outil avant d'effectuer tout assemblage ou réglage, ou de changer des accessoires. Ces mesures de sécurité préventives réduisent le risque d'une mise en marche accidentelle de l'outil.

Apprenez à vous servir de cet outil

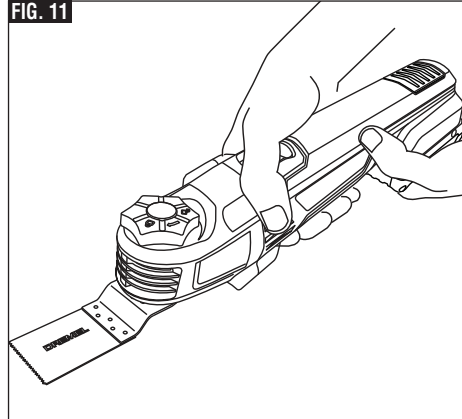
Vous tirerez le maximum de votre outil oscillant si vous apprenez comment utiliser la vitesse et contrôler manuellement l'outil de façon appropriée.

La première chose à apprendre pour utiliser cet outil est de maîtriser son contrôle avec la main. Tenez-le dans la main et habituez-vous à l'équilibrer en tenant compte de son centre de gravité (Fig. 11). Selon l'application, vous devrez ajuster la position de votre main afin d'assurer le maximum de confort et de contrôle. La zone de préhension confortable unique sur le corps de l'outil offre un confort et un contrôle additionnels pendant l'emploi.

Lorsque vous tenez l'outil dans la main, faites attention de ne pas bloquer les événements de ventilation. Si les événements sont bloqués par votre main, le moteur de l'outil risquerait de surchauffer.

IMPORTANT ! Pratiquez d'abord sur des résidus de matériaux pour déterminer la performance de l'outil à vitesse élevée. N'oubliez pas que votre outil produira les meilleurs résultats possibles si vous laissez la vitesse et l'accessoire approprié faire le travail pour vous. Faites attention de ne pas appliquer une pression excessive.

Au lieu de cela, abaissez délicatement l'accessoire oscillant sur la surface de travail et permettez-lui d'entrer en contact avec le point précis où vous voulez commencer le travail.



Concentrez-vous sur le guidage de l'outil sur la surface de travail en appliquant seulement une faible pression avec votre main. Laissez l'accessoire faire le travail pour vous.

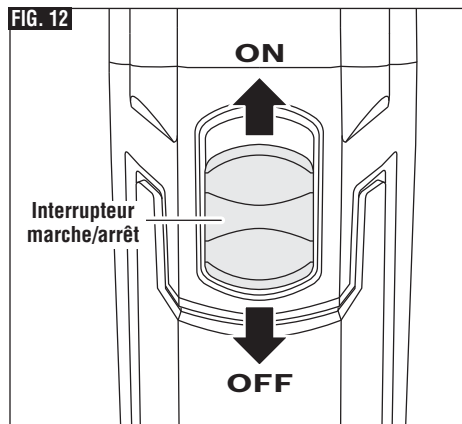
Il est généralement préférable de faire une série de passes avec l'outil plutôt que de faire tout le travail en une seule passe. Par exemple, pour faire une coupe, faites repasser l'outil sur l'ouvrage un certain nombre de fois. Coupez un peu de matériau lors de chaque passe jusqu'à ce que vous ayez atteint la profondeur désirée.

Interrupteur « marche/arrêt » coulissant

L'outil est mis en marche en faisant glisser l'interrupteur coulissant, qui est situé sur le dessus du bâti du moteur, en position de marche (Fig. 12).

POUR METTRE L'OUTIL EN MARCHÉ, faites glisser le bouton de l'interrupteur vers l'avant.

POUR ÉTEINDRE L'OUTIL, faites glisser le bouton de l'interrupteur vers l'arrière.



Instructions d'utilisation

Cadran de commande de vitesse variable

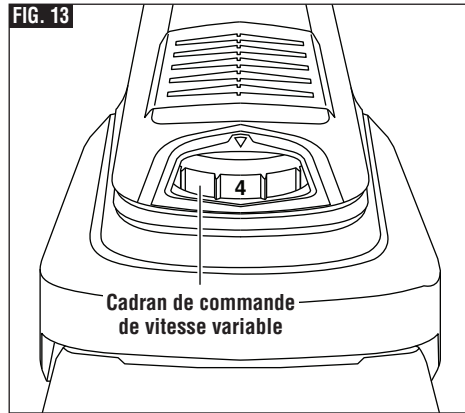
Cet outil est pourvu d'un cadran de commande de vitesse variable (Fig. 13). La vitesse peut être contrôlée pendant le fonctionnement en réglant le cadran sur l'une quelconque des dix positions.

Vitesses de fonctionnement

L'outil Multi-Max™ de Dremel consiste en un moteur c.a. universel et un mécanisme oscillant qui permettent de réaliser des applications telles que la coupe, l'enlèvement de coulis, le raclage, le ponçage et bien d'autres opérations.

L'outil Multi-Max™ de Dremel a une plage étendue de vitesses de fonctionnement oscillant comprise entre 10 000 et 20 000 /min (OPM). Le fonctionnement à grande vitesse permet à l'outil Multi-Max™ de Dremel d'obtenir d'excellents résultats. Le mouvement oscillant permet à la poussière de tomber sur la surface plutôt que de projeter des particules dans l'air.

Pour obtenir les meilleurs résultats possibles lorsque vous travaillez avec des matériaux variés, réglez la commande de vitesse variable sur la vitesse la plus appropriée en fonction de l'opération désirée (voir le Tableau des vitesses à la page 40 et 41 pour vous y



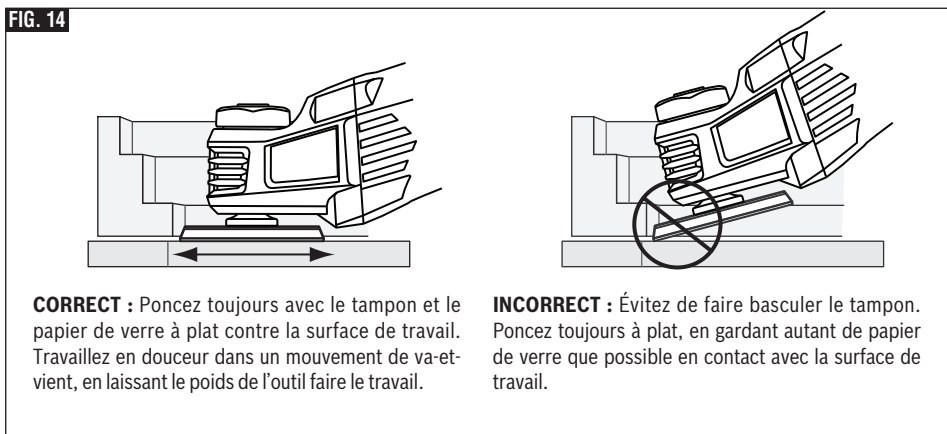
aider). Pratiquez d'abord sur un résidu de matériau pour déterminer la vitesse appropriée en fonction de l'accessoire que vous comptez utiliser.

Les réglages de la commande de vitesse variable sont indiqués sur le cadran de commande de vitesse.

Vous pouvez vous référer aux tableaux des pages suivantes pour déterminer le réglage de vitesse approprié, en fonction du matériau et de l'accessoire utilisés. Ces tableaux vous permettent de sélectionner en un seul coup d'œil à la fois l'accessoire correct et le paramètre de réglage de la vitesse optimale.

Veillez vous référer aux figures 14 - 16 pour plus d'instructions sur la façon de vous servir de votre outil Multi-Max™ de Dremel. Le respect de ces instructions vous permettra d'obtenir les meilleurs résultats possibles de votre outil oscillant.

TECHNIQUES DE PONÇAGE



CORRECT : Poncez toujours avec le tampon et le papier de verre à plat contre la surface de travail. Travaillez en douceur dans un mouvement de va-et-vient, en laissant le poids de l'outil faire le travail.

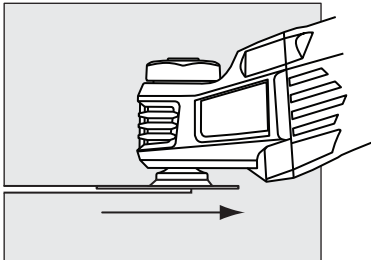
INCORRECT : Évitez de faire basculer le tampon. Poncez toujours à plat, en gardant autant de papier de verre que possible en contact avec la surface de travail.

Instructions d'utilisation

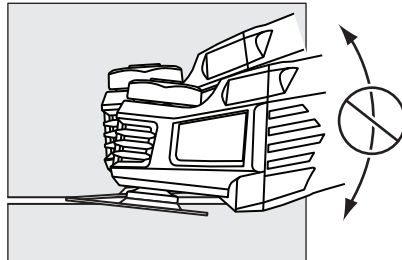
TECHNIQUES DE COUPE

Découpe de cloisons sèches ou de bois tendre avec la lame MM450

FIG. 15



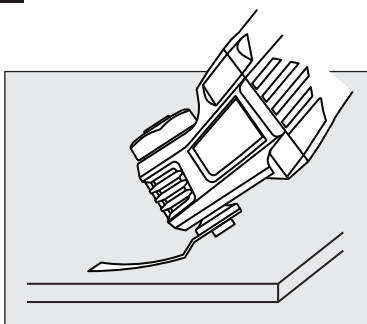
CORRECT : Coupez toujours avec un mouvement de va-et-vient régulier. Ne forcez jamais la lame. N'appliquez qu'une pression légère pour guider l'outil.



INCORRECT : Ne tournez pas l'outil pendant la coupe. Ceci pourrait causer le coincement de la lame.

TECHNIQUES DE RACLAGE



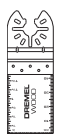
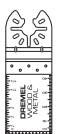
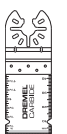
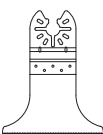


FIG. 16



Lorsque vous utilisez la lame racleuse flexible, veillez à la fléchir suffisamment pour qu'elle exerce une pression sur la pièce à usiner et utilisez un angle de 30 à 45 degrés pour obtenir les meilleures performances.

Paramètres du régulateur de vitesse variable / accessoires








Utilisez uniquement les accessoires de haute performance mis à l'épreuve par Dremel.

	Numéros de catalogue	Bois de conifères feuillus	Bois de feuillus	Bois peint	Matériaux stratifiés/ plastiques	Acier	Aluminium/ cuivre	Vinyle/ moquette	Calfeutrage/ adhésifs	Pierre/ ciment	Coulis
	MM70W	2 - 10	2 - 10	-	2 - 6	8 - 10	8 - 10	-	-	-	-
Papier abrasif 60, 120 et 240 grains – Bois nu											
	MM70P	2 - 10	2 - 10	2 - 10	2 - 6	8 - 10	8 - 10	-	-	-	-
Papier abrasif 60, 120 et 240 grains – Bois peint											
	MM480	8 - 10	6 - 10	-	2 - 6	8 - 10	8 - 10	-	-	-	-
Lame en acier à haute teneur en carbone pour la coupe à ras de bois de 1-1/4 po x 1-11/16 po											
	MM482	8 - 10	6 - 10	-	2 - 6	8 - 10*	8 - 10	-	-	-	-
Lame bimétallique pour la coupe de bois/ métal de 1-1/4 po x 1-11/16 po											
	MM485	8 - 10	6 - 10	-	2 - 6	8 - 10	8 - 10	-	-	-	-
Lame de coupe à ras au carbure 1-1/4 po x 1-11/16 po											
	MM494	8 - 10	6 - 10	-	2 - 6	8 - 10*	8 - 10	-	-	-	-
Lame pour coupe à ras du bois BIM et du métal et pour coupe des tuyaux et des pièces en bois de 2x4											
	MM450	8 - 10	6 - 10	-	2 - 6	-	-	-	-	-	-
Lame de scie pour couper les cloisons sèches et les pièces de bois de 3 po (7,5 cm)											
	MM452	8 - 10	6 - 10	-	2 - 6	8 - 10*	8 - 10	-	-	-	-
Lame de scie pour coupe à ras du bois BIM de 3 po (7,5 cm) et du métal											

* Acier doux seulement

Paramètres du régulateur de vitesse variable / accessoires

Utilisez uniquement les accessoires de haute performance mis à l'épreuve par Dremel.

	Noméros de catalogue	Bois de conifères	Bois de feuillus	Bois peint	Matériaux stratifiés/plastiques	Acier	Aluminium/cuivre	Vinyle/moquette	Calfeutrage / adhésifs	Pierre/ciment	Coulis
	MM430	-	-	-	-	-	-	6 - 10	-	-	-
Lame de couteau de poche multifonction											
	MM500	-	-	-	-	-	-	-	-	-	6 - 10
Lame pour l'enlèvement de coulis de 1/8 po											
	MM501	-	-	-	-	-	-	-	-	-	6 - 10
Lame pour l'enlèvement de coulis de 1/16 po											
	MM600	-	-	2 - 4	-	-	-	2 - 6	2 - 6	-	-
Lame de raclage rigide											
	MM610	-	-	2 - 4	-	-	-	-	2 - 6	-	-
Lame de raclage flexible											
	MM910	-	-	-	-	-	-	-	-	6 - 10	6 - 10
Papier diamanté 60 grains											
	MM920	6 - 10	6 - 10	6 - 10	-	-	-	-	-	6 - 10	6 - 10
Racloir au carbure 24 grains											

Applications pour l'emploi

APPLICATION

Votre outil Multi-Max™ de Dremel est conçu pour poncer et couper des matériaux en bois, des plastiques, du plâtre et des métaux non ferreux. Il est particulièrement approprié pour le travail près des bords, dans des endroits exigus et pour les coupes à ras. Cet outil ne doit être utilisé qu'avec des accessoires Dremel.

On trouvera ci-dessous quelques emplois types de votre outil Multi-Max™ de Dremel.

⚠ AVERTISSEMENT Quel que soit l'accessoire, travaillez toujours avec l'accessoire orienté dans le sens opposé à celui de votre corps. Ne placez jamais une main près de la zone de travail ou devant celle-ci. Tenez toujours l'outil des deux mains et portez des gants de protection.

Coupe à ras

Retirez le bois excédentaire des embrasures de portes, des appuis de fenêtre et/ou des coups de pied. Retirez les longueurs excédentaires de tuyaux en cuivre ou en CPV.

Travaux d'enlèvement

p. ex., moquettes et supports, adhésifs de carreaux anciens, matériau de calfeutrage sur la maçonnerie, bois et autres surfaces.

Enlèvement de matériaux excédentaires

p. ex., plâtre, éclaboussure de mortier, béton sur carreaux, appuis.

Préparation de surfaces

p. ex., pour les nouveaux planchers et carreaux.

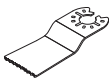
Ponçage de finition

p. ex., pour poncer dans des endroits extrêmement serrés qui seraient normalement difficiles à atteindre et nécessitent un ponçage de finition à la main.

COUPE

Les lames de scie sont idéales pour effectuer des coupes précises dans les endroits exigus, près des bords ou au ras d'une surface.

Sélectionnez une vitesse de moyenne à rapide pour effectuer la coupe en plongée initiale, commencez à vitesse moyenne pour obtenir un contrôle accru. Après avoir effectué votre coupe initiale, vous pouvez augmenter la vitesse pour pouvoir couper plus rapidement.



Les lames de coupe à ras sont conçues pour réaliser des coupes précises afin de permettre l'installation de matériaux sur le sol ou sur les murs. Lorsque vous effectuez une coupe à ras, il est important de ne pas forcer l'outil pendant la coupe en plongée. Si vous constatez de fortes vibrations dans votre main pendant la coupe en plongée, ceci indique que vous appliquez trop de force. Retirez l'outil et laissez l'outil faire le travail à la vitesse sélectionnée. Tout en laissant les dents de la lame engagées dans la surface de l'ouvrage, déplacez l'arrière de l'outil avec un mouvement latéral lent. Ce mouvement permettra d'accélérer la coupe.

Lorsque vous faites une coupe à ras, il est toujours conseillé d'utiliser un morceau de matériau résiduel (carreau ou bois) pour supporter la lame. Si vous avez besoin de faire reposer la lame de coupe à ras sur une surface délicate, il est recommandé de protéger la surface avec un carton ou du ruban-cache.



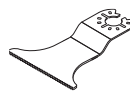
La lame de scie plate est idéale pour réaliser des coupes précises dans du bois, du plâtre ou des cloisons sèches.

Les applications possibles comprennent la découpe d'ouvertures dans les planches pour la ventilation, la réparation de planchers endommagés et la découpe d'ouvertures pour des boîtiers électriques. La lame produit les meilleurs résultats en coupant du bois tendre tel que le pin. La durée de la lame sera réduite si elle est surtout utilisée pour couper du bois de feuillus.

Sélectionnez une vitesse comprise entre moyenne et rapide.

La lame de scie plate peut également être utilisée pour la restauration de fenêtres, car elle permet d'enlever facilement le mastic. La lame de la scie peut être placée directement contre le bord du cadre de la fenêtre, en guidant la lame à travers le mastic.

Accessoire de coupe des tuyaux et des pièces de bois de 2x4 - Modèle MM494



La lame de coupe des tuyaux et des pièces de bois de 2x4 a été conçue pour couper des matériaux épais, comme des pièces de bois de 2x4 et des tuyaux tels que des conduits et des canalisations en cuivre et en PVC.

ENLÈVEMENT DU COULIS

Les lames d'enlèvement du coulis sont idéales pour enlever le coulis endommagé ou fissuré. Les lames à coulis existent en deux largeurs (1/16 po et 1/8 po) pour tenir compte des différentes largeurs de traits de coulis. Avant de choisir une lame à coulis, mesurez la largeur du trait de coulis pour pouvoir choisir la lame appropriée.

Sélectionnez une vitesse comprise entre moyenne et rapide.

Pour enlever le coulis, utilisez un mouvement de va et vient en faisant plusieurs passes le long du trait de coulis. La dureté du coulis dictera le nombre de passes nécessaires. Essayez de maintenir la lame à coulis alignée avec le trait de coulis et faites attention de ne pas appliquer trop de pression latérale sur la lame à coulis pendant l'opération. Pour contrôler la profondeur de plongée, utilisez le trait de grains de carbure sur la lame comme indicateur. Faites attention de ne pas plonger au-delà du trait de grains de carbure pour éviter d'endommager le matériau du support.

Les lames à coulis peuvent être utilisées pour couper du coulis poncé ou non poncé. Si vous remarquez des accumulations de matériau sur la lame pendant l'opération d'enlèvement de coulis, vous pouvez utiliser une brosse à poils de laiton pour nettoyer les grains afin qu'ils soient à

Applications pour l'emploi

nouveau exposés.

La géométrie de la lame à coulis est conçue de façon que la lame puisse enlever tout le coulis jusqu'à la surface d'un mur ou d'un coin. Ceci peut être accompli en s'assurant que la partie segmentée de la lame est bien face au mur ou au coin.

RACLAGE



Les outils à racler sont appropriés pour enlever les couches existantes de vernis ou d'adhésifs, enlever les moquettes collées, par ex., sur les marches/dans les

escaliers et sur d'autres surfaces de faible taille ou de taille moyenne.

Sélectionnez une vitesse comprise entre basse et moyenne.

Les outils à racler rigides sont appropriés pour l'enlèvement de matériau sur de grandes surfaces, et pour couper les matériaux durs comme les sols en vinyle, la moquette et les adhésifs de carreaux. Lorsque vous voulez enlever des adhésifs puissants et gluants, **graissez la surface de la lame de l'outil à racler avec de la vaseline ou de la graisse de silicone afin de réduire l'adhérence.**

Il est plus facile de retirer de la moquette ou du vinyle du sol si on y a pratiqué des incisions auparavant afin de permettre à la lame de l'outil à racler de se déplacer au-dessous de la moquette ou du vinyle.



Les outils à racler flexibles sont utilisés dans les endroits difficiles d'accès et pour couper les matériaux doux tels que du calfeutrage.

Montez la lame de l'outil à racler avec le côté comportant le logo orienté vers le haut. Avec un outil à racler flexible, assurez-vous que la tête de la vis n'entre pas en contact avec la surface pendant le processus de raclage (un angle de 30 à 45 degrés est recommandé). Ceci peut être accompli en s'assurant que l'outil est incliné par rapport à la lame. Vous devriez pouvoir voir la lame fléchir pendant l'opération de raclage.

Si vous voulez retirer du calfeutrage d'une surface délicate comme une baignoire ou un dossier en carrelage, nous recommandons de protéger la surface sur laquelle la lame reposera, par exemple avec un ruban-cache. Utilisez de l'alcool dénaturé pour nettoyer la surface après avoir enlevé le calfeutrage et/ou l'adhésif.

Mettez l'outil en marche et placez l'accessoire désiré à l'endroit où vous voulez retirer du matériau.

Commencez avec une pression légère. Le mouvement oscillant de l'accessoire ne se produira que quand de la pression sera appliquée sur le matériau que vous voulez retirer.

Une pression excessive risquerait de rayer ou d'endommager les surfaces sous-jacentes (p. ex., bois, plâtre).

PONÇAGE



Les accessoires de ponçage sont appropriés pour le ponçage à sec de bois, de métal, de surfaces, de coins et de bords, ainsi que pour

le travail dans des endroits d'accès difficile.

Travaillez avec toute la surface du tampon de ponçage – pas seulement avec la pointe.

Les coins peuvent être finis en utilisant la pointe ou le bord de l'accessoire sélectionné. Il est recommandé d'effectuer une rotation occasionnelle de l'accessoire pendant l'emploi afin de distribuer l'usure sur l'accessoire et sur la surface de la plaque de support.

Poncez avec un mouvement continu et une pression légère. N'appliquez PAS une pression excessive - laissez l'outil faire le travail. Une pression excessive rendra la manipulation plus difficile, produira des vibrations et des marques de ponçage indésirables et causera l'usure prématurée de la feuille abrasive.

Assurez-vous toujours que les ouvrages de petites dimensions sont solidement attachés à un établi ou un autre support. Les grands panneaux peuvent être tenus en place à la main sur un établi ou un chevalet de sciage.

Des feuilles de papier abrasif à l'oxyde d'aluminium à structure ouverte sont recommandées pour la plupart des applications sur du bois ou du métal, étant donné que ce matériau synthétique coupe rapidement et a de bonnes propriétés d'usure. Certaines applications, telles que la finition ou le nettoyage du métal, nécessitent des tampons abrasifs spéciaux que vous pourrez vous procurer chez votre fournisseur. Pour obtenir les meilleurs résultats, utilisez des accessoires de ponçage de Dremel de qualité supérieure qui sont soigneusement sélectionnés pour produire des résultats de qualité professionnelle avec votre outil oscillant.

Les suggestions suivantes peuvent être utilisées comme guide général pour la sélection de matériaux abrasifs, mais les meilleurs résultats seront obtenus en effectuant un ponçage de test sur une partie peu visible de l'ouvrage en premier.

Grains abrasifs	Application
Grossiers	Pour le ponçage grossier de bois ou de métal, et pour l'enlèvement de rouille ou d'un matériau de finition ancien.
Moyens	Pour les opérations générales de ponçage de bois ou de métal.
Fins	Pour la finition finale de bois, de métal, de plâtre et d'autres surfaces.

Après avoir fermement assujéti l'ouvrage, mettez l'outil en marche comme indiqué plus haut. Mettez l'ouvrage en contact avec l'outil après que l'outil aura atteint sa vitesse de croisière, et éloignez l'outil de l'ouvrage avant de l'éteindre. Si vous utilisez votre outil de cette manière, vous prolongerez la durée de vie de l'interrupteur et du moteur, et vous améliorerez considérablement la qualité de votre travail.

Déplacez l'outil oscillant avec de longs mouvements

Applications pour l'emploi

réguliers parallèles au grain en utilisant un mouvement latéral de façon à ce que chaque course chevauche la trajectoire de la course précédente d'environ 75 %. N'appliquez PAS une pression excessive. Laissez l'outil faire le travail. Une pression excessive rendra la manipulation difficile, produira des vibrations et causera des marques de ponçage indésirables.

MEULAGE



L'accessoire en papier diamanté permet à l'outil Multi-Max™ d'être utilisé pour meuler du ciment, du plâtre ou de Thinset afin de les retirer de la surface sous-jacente. La préparation de surfaces pour remplacer des carreaux est une application courante de cet accessoire.

Du papier diamanté doit être monté sur la plaque de support avant le début de l'opération.



Sélectionnez une vitesse aussi basse ou aussi élevée que nécessaire en fonction de la vitesse d'enlèvement du matériau désirée.

L'accessoire pour raclage au carbure permet également à l'outil Multi-Max™ de meuler du ciment, du mortier Thinset,

du plâtre et aussi du bois. Cet accessoire est couramment utilisé dans le cadre d'opérations de préparation pour remplacer des carreaux ou racler du bois afin de produire une surface lisse ou de retirer du matériau.

L'outil doit être réglé sur une vitesse rapide pour retirer agressivement du matériau ou sur une vitesse lente pour retirer du matériau de façon plus délicate.

Ne faites pas excessivement pression sur l'outil - laissez-le faire le travail.

Les coins peuvent être finis en utilisant la pointe ou le bord de l'accessoire sélectionné. Il est recommandé d'effectuer la rotation occasionnelle de l'accessoire pendant l'emploi afin de distribuer l'usure sur l'accessoire et sur la surface de la plaque de support.

Meulez avec un mouvement continu et une pression légère. N'appliquez PAS une pression excessive – laissez l'outil faire le travail. Une pression excessive rendra la manipulation difficile, produira des vibrations et causera l'usure prématurée de la feuille de papier diamanté.

Sélection des feuilles de ponçage/meulage

Matériau	Application	Type de grains abrasifs	
Tous les matériaux en bois (p. ex., bois de feuillus, bois de conifères, panneaux de particules, panneaux de construction)	Pour un ponçage grossier, p. ex., pour e ponçage grossier de poutres et panneaux non rabotés	Grossiers	60
	Pour le ponçage de surfaces finies et raboter de petites irrégularités	Moyens	120
Matériaux en métal, fibre de verre et plastiques Papier abrasif (sombre)	Pour la finition et le ponçage fin de bois	Fins	240
	Pour poncer un matériau peint	Grossiers	80
Peinture, vernis, matériaux de remplissage et mastic Papier abrasif (blanc)	Pour poncer un apprêt (p. ex., pour retirer des traces de pinceau, des gouttelettes de peinture et des traînées de peinture)	Moyens	120
	Pour le ponçage de finition d'apprêts avant d'appliquer une couche de peinture	Fins	240
Maçonnerie, pierre, ciment et Thinset Papier diamanté	Pour lisser, former et travailler les bords	Grossiers	60

Renseignements sur l'entretien

⚠ AVERTISSEMENT Pour éviter les accidents, débranchez toujours le bloc-piles de l'outil avant toute opération de maintenance ou de nettoyage.

Service

⚠ AVERTISSEMENT IL N'EXISTE À L'INTÉRIEUR AUCUNE PIÈCE SUSCEPTIBLE D'ÊTRE ENTRE-TENUE PAR L'UTILISATEUR. L'entretien préventif effectué par des employés non autorisés peut entraîner un positionnement erroné des composants et des fils internes, et ainsi causer des dangers sévères. Il est recommandé que l'entretien et la réparation de nos outils soient confiés à un centre de service-usine Dremel ou à un centre de service après-vente Dremel agréé.

Piles

Faire attention aux blocs-piles qui approchent la fin de leur vie. Si vous remarquez une diminution dans les performances de votre outil ou une durée de fonctionnement réduite de manière significative entre charges, il est temps de remplacer le bloc-piles. S'il n'est pas remplacé, il se peut qu'il endommage le chargeur ou que l'outil fonctionne incorrectement.

Nettoyage

⚠ MISE EN GARDE Certains agents de nettoyages et certains dissolvants abiment les pièces en plastique. Parmi ceux-ci se trouvent: l'essence, le tétrachlorure de carbone, les dissolvants de nettoyage chlorés, l'ammoniaque ainsi que les détergents domestiques qui en contiennent.

Les prises d'air et les leviers de commutation doivent être gardés propres et exempts de corps étrangers. Ne tentez pas de nettoyer en insérant des objets pointus à travers l'ouverture.

Stockage

1. Retirez la pile de l'outil Ultra Saw US20V.
2. Placez l'outil et la pile sur une surface propre, sèche, sans poussière et de préférence non combustible, à un endroit où la température est comprise entre 16 et 29° C / 65 et 85° F. Assurez-vous que la zone de travail n'est pas encombrée par des outils ou divers objets.
3. Retirez la pile du chargeur lorsque le cycle de charge est complet et débranchez le chargeur de la source d'alimentation électrique. Rangez la pile tel que décrit au point n° 2 ci-dessus.

Garantie limitée de Dremel®

Votre produit Dremel est garanti contre les vices de matériau ou de façon pendant un délai de deux ans à compter de la date d'achat. Dans l'hypothèse où le produit ne se conformerait pas à cette garantie écrite, veuillez procéder de la façon suivante :

1. NE RAPPORTEZ PAS votre produit à l'endroit où vous l'avez acheté.
2. Emballez avec soin le produit seul, sans aucun autre article, et renvoyez-le, en port payé, accompagné :
 - A. d'une copie de votre justificatif d'achat daté (veuillez en garder une copie pour vous-même)
 - B. d'une déclaration écrite concernant la nature du problème
 - C. d'une indication de vos nom, adresse et numéro de téléphone, à l'adresse suivante :

ÉTATS-UNIS

Robert Bosch Tool
Corporation Dremel Repairs
173 Lawrence 428 Dock #2
Walnut Ridge, AR 72476

OU

CANADA

Giles Tool Agency
47 Granger Av.
Scarborough, Ontario Canada
M1K 3K9 1-416-287-3000

À L'EXTÉRIEUR DU TERRITOIRE CONTINENTAL DES ÉTATS-UNIS

Consultez votre distributeur local ou écrivez à Dremel :
Dremel Repairs 173 Lawrence 428 Dock #2 Walnut Ridge, AR 72476

Nous vous recommandons d'assurer le paquet contre la perte ou les dommages en cours de route dont nous ne pouvons assumer la responsabilité.

Cette garantie n'est offerte qu'à l'acheteur enregistré d'origine. LES DOMMAGES AU PRODUIT RÉSULTANT DE MANIPULATIONS ABUSIVES, D'ACCIDENTS, D'USAGES ABUSIFS, DE NÉGLIGENCE, DE RÉPARATIONS OU D'ALTÉRATIONS NON AUTORISÉES, D'UTILISATION D'ACCESSOIRES NON APPROUVÉS OU D'AUTRES CAUSES NON LIÉES AU MATÉRIAU OU À LA FAÇON NE SONT PAS COUVERTS PAR CETTE GARANTIE.

Aucun employé, mandataire, vendeur ou autre n'est autorisé à accorder des garanties au nom de Dremel. Si l'inspection effectuée par Dremel révèle que le problème a été causé par un problème de matériau ou de façon dans les limites de la garantie, Dremel réparera ou remplacera le produit gratuitement et renverra le produit en port payé. Si elles peuvent être effectuées, les réparations rendues nécessaires par l'usure normale ou un usage abusif, ou les réparations du produit une fois la période de garantie expirée, seront facturées aux tarifs réguliers de l'usine.

DREMEL N'ACCORDE AUCUNE AUTRE GARANTIE DE QUELQUE NATURE QUE CE SOIT, EXPLICITE OU IMPLICITE, ET TOUTES LES GARANTIES IMPLICITES DE COMMERCIALISATION ET D'APTITUDE À UN USAGE PARTICULIER EN PLUS DE L'OBLIGATION SUSVISÉE SONT REJETÉES PAR LES PRÉSENTES PAR DREMEL ET EXCLUES DE CETTE GARANTIE LIMITÉE.

Cette garantie vous accorde certains droits précis, et vous pouvez également avoir d'autres droits qui varient d'un endroit à un autre. L'obligation du garant se limite à réparer ou remplacer le produit. Le garant n'est responsable d'aucun dommage accessoire ou indirect attribuable à de telles défaillances alléguées. Certaines juridictions ne permettent pas l'exclusion ou la limitation des dommages accessoires ou indirects ; il se peut donc que les limitations ou l'exclusion qui précède ne s'appliquent pas à vous.





En ce qui concerne les prix et la façon de vous prévaloir de la garantie sur le territoire continental des États-Unis, mettez-vous en contact avec votre distributeur Dremel local.

Exportado por: © Robert Bosch Tool Corporation Mt. Prospect, IL 60056 -2230, E.U.A.

Importado a México por: Robert Bosch, S. de R.L. de C.V.
Calle Robert Bosch No. 405 - 50071 Toluca, Edo. de Méx. - México
Tel. 052 (722) 279 2300 ext 1160 / Fax. 052 (722) 216-6656

Símbolos de seguridad

Las definiciones que aparecen a continuación describen el nivel de gravedad de cada palabra de señal de seguridad. Por favor, lea el manual y preste atención a estos símbolos.

	Éste es el símbolo de alerta de seguridad. Se utiliza para alertarle a usted de posibles peligros de lesiones corporales. Obedezca todos los mensajes de seguridad que sigan a este símbolo para evitar posibles lesiones o muerte.
	PELIGRO indica una situación peligrosa que, si no se evita, causará la muerte o lesiones graves.
	ADVERTENCIA indica una situación peligrosa que, si no se evita, podría causar la muerte o lesiones graves.
	PRECAUCIÓN indica una situación peligrosa que, si no se evita, podría causar lesiones leves o moderadas.

Advertencias generales de seguridad para herramientas mecánicas

ADVERTENCIA Lea todas las advertencias de seguridad y todas las instrucciones. Si no se siguen las advertencias e instrucciones, el resultado podría ser sacudidas eléctricas, incendio y/o lesiones graves.

GUARDE TODAS LAS ADVERTENCIAS E INSTRUCCIONES PARA REFERENCIA FUTURA

La expresión "herramienta mecánica" en las advertencias se refiere a su herramienta mecánica alimentada por la red eléctrica (herramienta alámbrica) o su herramienta mecánica alimentada por baterías (herramienta inalámbrica).

1. Seguridad del área de trabajo

- Mantenga el área de trabajo limpia y bien iluminada.** Las áreas desordenadas u oscuras invitan a que se produzcan accidentes.
 - No utilice herramientas mecánicas en atmósferas explosivas, como por ejemplo en presencia de líquidos, gases o polvos inflamables.** Las herramientas mecánicas generan chispas que pueden incendiar el polvo o los vapores.
 - Mantenga alejados a los niños y a las personas que estén presentes mientras esté utilizando una herramienta mecánica.** Las distracciones pueden hacerle perder el control de la herramienta.
- Evite el contacto del cuerpo con las superficies conectadas o puestas a tierra, tales como tuberías, radiadores, estufas y refrigeradores.** Hay un aumento del riesgo de sacudidas eléctricas si el cuerpo del operador se conecta o pone a tierra.
 - No exponga las herramientas mecánicas a la lluvia o a condiciones mojadas.** La entrada de agua en una herramienta mecánica aumentará el riesgo de que se produzcan sacudidas eléctricas.
 - No maltrate el cordón de energía. No use nunca el cordón para transportar la herramienta mecánica, tirar de ella o desenchufarla. Mantenga el cordón alejado del calor, el aceite, los bordes afilados o las piezas móviles.** Los cordones dañados o enganchados aumentan el riesgo de que se produzcan sacudidas eléctricas.

2. Seguridad eléctrica

- Los enchufes de las herramientas mecánicas deben coincidir con el tomacorriente. No modifique nunca el enchufe de ningún modo. No use enchufes adaptadores con herramientas mecánicas conectadas a tierra (puestas a tierra).** Los enchufes no modificados y los tomacorrientes coincidentes reducirán el riesgo de sacudidas eléctricas.
- Si es inevitable utilizar una herramienta mecánica en un lugar húmedo, utilice una fuente de energía protegida por un interruptor de circuito accionado por corriente de pérdida a tierra (GFCI).** El uso de un GFCI reduce el riesgo de sacudidas eléctricas.

Advertencias generales de seguridad para herramientas mecánicas

3. Seguridad personal

- a. **Manténgase alerta, fíjese en lo que está haciendo y use el sentido común cuando esté utilizando una herramienta mecánica. No use una herramienta mecánica cuando esté cansado o bajo la influencia de drogas, alcohol o medicamentos.** Un momento de distracción mientras esté utilizando herramientas mecánicas podría causar lesiones corporales graves.
- b. **Use equipo de protección personal. Use siempre protección de los ojos.** El equipo de protección, como por ejemplo una máscara antipolvo, calzado de seguridad antideslizante, casco o protección de oídos, utilizado para las condiciones apropiadas, reducirá las lesiones corporales.
- c. **Evite el arranque accidental. Asegúrese de que el interruptor esté en la posición de apagado antes de conectar la herramienta a la fuente de energía y / o al paquete de batería, levantar la herramienta o transportarla.** Transportar herramientas mecánicas con un dedo en el interruptor o encender herramientas mecánicas que tengan el interruptor en la posición de encendido invita a que se produzcan accidentes.
- d. **Quite todas las llaves de ajuste o de tuerca antes de encender la herramienta mecánica.** Una llave de tuerca o de ajuste que se deje colocada en una pieza giratoria de la herramienta mecánica podría causar lesiones corporales.
- e. **No intente alcanzar demasiado lejos. Mantenga un apoyo de los pies y un equilibrio apropiados en todo momento.** Esto permite controlar mejor la herramienta mecánica en situaciones inesperadas.
- f. **Vístase adecuadamente. No use ropa holgada ni alhajas holgadas. Mantenga el pelo, la ropa y los guantes alejados de las piezas móviles.** La ropa holgada, las alhajas holgadas o el pelo largo pueden quedar atrapados en las piezas móviles.
- g. **Si se proporcionan dispositivos para la conexión de instalaciones de extracción y recolección de polvo, asegúrese de que dichas instalaciones estén conectadas y se usen correctamente.** El uso de dispositivos de recolección de polvo puede reducir los peligros relacionados con el polvo.

4. Uso y cuidado de las herramientas mecánicas

- a. **No fuerce la herramienta mecánica. Use la herramienta mecánica correcta para la aplicación que desee realizar.** La herramienta mecánica correcta hará el trabajo mejor y con más seguridad a la

capacidad nominal para la que fue diseñada.

- b. **No use la herramienta mecánica si el interruptor no la enciende y apaga.** Toda herramienta mecánica que no se pueda controlar con el interruptor es peligrosa y debe ser reparada.
- c. **Desconecte el enchufe de la fuente de energía y/o el paquete de batería de la herramienta mecánica antes de hacer cualquier ajuste, cambiar accesorios o almacenar herramientas mecánicas.** Dichas medidas preventivas de seguridad reducen el riesgo de arrancar accidentalmente la herramienta mecánica.
- d. **Guarde las herramientas que no esté usando fuera del alcance de los niños y no deje que personas que no estén familiarizadas con la herramienta mecánica o con estas instrucciones utilicen la herramienta.** Las herramientas mecánicas son peligrosas en manos de usuarios que no hayan recibido capacitación.
- e. **Mantenga las herramientas mecánicas. Compruebe si hay piezas móviles desalineadas o que se atorán, si hay piezas rotas y si existe cualquier otra situación que podría afectar el funcionamiento de la herramienta mecánica. Si la herramienta mecánica está dañada, haga que la reparen antes de usarla.** Muchos accidentes son causados por herramientas mecánicas mantenidas deficientemente.
- f. **Mantenga las herramientas de corte afiladas y limpias.** Es menos probable que las herramientas de corte mantenidas apropiadamente, con bordes de corte afilados, se atorren, y dichas herramientas son más fáciles de controlar.
- g. **Utilice la herramienta mecánica, los accesorios, las brocas de la herramienta, etc., de acuerdo con estas instrucciones, teniendo en cuenta las condiciones de trabajo y el trabajo que se vaya a realizar.** El uso de la herramienta mecánica para operaciones distintas a aquéllas para las que fue diseñada podría causar una situación peligrosa.

5. Uso y cuidado de las herramientas alimentadas por baterías

- a. **Recargue las baterías solamente con el cargador especificado por el fabricante.** Un cargador que es adecuado para un tipo de paquete de batería puede crear un riesgo de incendio cuando se utiliza con otro paquete de batería.
- b. **Utilice las herramientas mecánicas solamente con paquetes de batería designados específicamente.**

Advertencias generales de seguridad para herramientas mecánicas

El uso de cualquier otro paquete de batería puede crear un riesgo de lesiones e incendio.

- c. **Cuando el paquete de batería no se esté usando, manténgalo alejado de otros objetos metálicos, tales como sujetapapeles, monedas, llaves, clavos, tornillos u otros objetos metálicos pequeños que pueden hacer una conexión de un terminal a otro.** Si se cortocircuitan los terminales de la batería uno con otro, se pueden causar quemaduras o un incendio.
- d. **En condiciones abusivas, es posible que se eyecte líquido de la batería. Evite el contacto. Si se produce un contacto accidental, enjuáguese con agua. Si el líquido entra en contacto con los ojos, obtenga además ayuda médica.** El líquido que salga eyectado de la batería puede causar irritación o quemaduras.

6. Servicio de ajustes y reparaciones

- a. **Haga que su herramienta mecánica reciba servicio de un técnico de reparaciones calificado, utilizando únicamente piezas de repuesto idénticas.** Esto asegurará que se mantenga la seguridad de la herramienta mecánica.

Normas de seguridad para herramientas oscilantes

- a. **Agarre la herramienta eléctrica solamente por las superficies de agarre con aislamiento cuando realice una operación en la que el accesorio de corte pueda entrar en contacto con cables ocultos.** Si el accesorio de corte entra en contacto con un cable con corriente, eso puede hacer que las partes metálicas de la herramienta eléctrica que están al descubierto lleven corriente y podrían causar una descarga eléctrica al operador.
- b. **Use abrazaderas u otro modo práctico de sujetar y soportar la pieza de trabajo en una plataforma estable.** Si se sujeta la pieza de trabajo con la mano o contra el cuerpo, se crea una situación inestable que podría causar pérdida de control.
- c. **No taladre, rompa, ni haga trabajo de sujeción en paredes existentes ni en otras áreas ciegas donde pueda haber cables eléctricos.** Si esta situación es inevitable, desconecte todos los fusibles o cortacircuitos que alimentan este sitio de trabajo.
- d. **Utilice un detector de metales para determinar si hay tuberías de gas o de agua ocultas en el área de trabajo o llame a la compañía local de servicios públicos para obtener asistencia antes de comenzar la operación.** Golpear o cortar una tubería de gas producirá una explosión. La entrada de agua en un dispositivo eléctrico puede causar electrocución.
- e. **Sujete siempre firmemente la herramienta con las dos manos para tener un control máximo. Mantenga un apoyo de los pies y un equilibrio apropiados en todo momento.** Esto permite controlar mejor la herramienta mecánica en situaciones inesperadas.
- f. **Mantenga siempre las manos alejadas de las áreas de corte. No ponga las manos debajo ni cerca de la hoja de sierra.** La proximidad de la hoja a las manos puede quedar oculta a la vista.
- g. **No utilice hojas desfiladas ni dañadas.** Una hoja doblada puede romperse fácilmente o causar retroceso.
- h. **Tenga suma precaución cuando maneje los accesorios.** Los accesorios están muy afilados.
- i. **Use guantes protectores cuando cambie los accesorios de corte.** Los accesorios estarán calientes después del uso prolongado.
- j. **Use guantes acolchados gruesos y limite el tiempo de exposición tomando períodos frecuentes de descanso.** La vibración causada por la herramienta puede ser perjudicial para las manos y los brazos.
- k. **Antes de rascar, compruebe si hay clavos en la pieza de trabajo. Si los hay, quítelos o sitíelos bien por debajo de la superficie acabada que se desea lograr.** Si se golpea un clavo con el borde del accesorio, la herramienta podría saltar.
- l. **No lije en mojado con esta herramienta.** Los líquidos que ingresan a la carcasa del motor pueden crear un riesgo de descarga eléctrica.
- m. **Nunca trabaje en un área que esté empapada con un líquido, tal como un disolvente o agua, o que esté humedecida, tal como un papel de pared recién aplicado.** Existe peligro de sacudidas eléctricas al trabajar en dichas condiciones con una

Normas de seguridad para herramientas oscilantes

herramienta mecánica y el calentamiento del líquido causado por la acción de rascado puede hacer que la pieza de trabajo emita vapores nocivos.

- n. **Use siempre protección para los ojos y una máscara antipolvo para aplicaciones que generen polvo y al lijar en alto.** Las partículas resultantes del lijado pueden ser absorbidas por los ojos e inhaladas fácilmente y pueden causar complicaciones de salud.
- o. **Use precauciones especiales al lijar madera tratada químicamente a presión, pintura que pueda estar basada en plomo o cualquier otro material que pueda contener carcinógenos.** Todas las personas

que entren en el área de trabajo deben usar un aparato de respiración adecuado y ropa protectora. El área de trabajo debe cerrarse con cubiertas colgantes de plástico y debe mantenerse fuera a las personas no protegidas hasta que el área de trabajo haya sido limpiada a fondo.

- p. **No use papel de lija diseñado para zapatas de lijar más grandes.** El papel de lija más grande sobresaldrá de la zapata de lijar, causando atasco y rasgado del papel o retroceso. El papel extra que sobresalga de la zapata de lijar también puede causar laceraciones graves.

Advertencias de seguridad adicionales

Inspeccione siempre la hoja para comprobar si está dañada (rota, con grietas) antes de cada uso. No la use nunca si se sospecha que está dañada.

Un GFCI y los dispositivos de protección personal, como guantes de goma y calzado de goma de electricista, mejorarán más su seguridad personal.

No use herramientas mecánicas con capacidad nominal solamente para CA con una fuente de energía de CC. Aunque pueda parecer que la herramienta funciona correctamente, es probable que los componentes eléctricos de la herramienta con capacidad nominal para CA fallen y creen un peligro para el operador.

Mantenga los mangos secos, limpios y libres de aceite y grasa. Las manos resbalosas no pueden controlar de modo seguro la herramienta mecánica.

Desarrolle un programa de mantenimiento periódico de la herramienta. Cuando limpie una herramienta, tenga cuidado de no desmontar ninguna de sus partes, ya que los cables internos podrían reubicarse incorrectamente o pellizcarse, o los resortes de retorno de los protectores de seguridad podrían montarse incorrectamente. Ciertos agentes de limpieza, tales como gasolina, tetracloruro de carbono, amoníaco, etc., podrían dañar las piezas de plástico.

Riesgo de lesiones para el usuario. El cordón de energía debe recibir servicio de ajustes y reparaciones solamente por un Centro de servicio de fábrica Dremel.








⚠ ADVERTENCIA Cierta **polvo generado por el lijado, aserrado, amolado y taladrado mecánicos, y por otras actividades de construcción, contiene agentes químicos que se sabe que causan cáncer, defectos de nacimiento u otros daños sobre la reproducción. Algunos ejemplos de estos agentes químicos son:**

- Plomo de pinturas a base de plomo,
- Sílice cristalina de ladrillos y cemento y otros productos de mampostería, y
- Arsénico y cromo de madera tratada químicamente.

Su riesgo por causa de estas exposiciones varía, dependiendo de con cuánta frecuencia realice este tipo de trabajo. Para reducir su exposición a estos agentes químicos: trabaje en un área bien ventilada y trabaje con equipo de seguridad aprobado, como por ejemplo máscaras antipolvo que estén diseñadas especialmente para impedir mediante filtración el paso de partículas microscópicas.






Símbolos

Importante: Es posible que algunos de los símbolos siguientes se usen en su herramienta. Por favor, estúdielos y aprenda su significado. La interpretación adecuada de estos símbolos le permitirá utilizar la herramienta mejor y con más seguridad.

Símbolo	Désignación/Explicación
V	Volt (tensión)
A	Ampere (corriente)
Hz	Hertz (frecuencia, ciclos por segundo)
W	Watt (potencia)
kg	Kilogramo (peso)
min	Minuto (tiempo)
s	Segundo (tiempo)
∅	Diámetro (tamaño de las brocas taladradoras, muelas, etc)
n_0	Velocidad sin carga (velocidad rotacional sin carga)
n	Velocidad nominal (máxima velocidad obtenible)
../min	Revoluciones o alternación por minuto (revoluciones, golpes, velocidad de superficie, órbitas, etc., por minuto)
0	Posición "off" (velocidad cero, par motor cero...)
1, 2, 3, ... I, II, III,	Graduaciones del selector (graduaciones de velocidad, par motor o posición. Un número más alto significa mayor velocidad)
	Selector infinitamente variable con apagado (la velocidad aumenta desde la graduación de 0)
	Flecha (Acción en la dirección de la flecha)
	Corriente alterna (tipo o una característica de corriente)
	Corriente continua (tipo o una característica de corriente)
	Corriente alterna o continua (tipo o una característica de corriente)
	Construcción de clase II (designa las herramientas de construcción con aislamiento doble)
	Terminal de toma de tierra (terminal de conexión a tierra)

Símbolos

Importante: Es posible que algunos de los símbolos siguientes se usen en su herramienta. Por favor, estúdielos y aprenda su significado. La interpretación adecuada de estos símbolos le permitirá utilizar la herramienta mejor y con más seguridad.

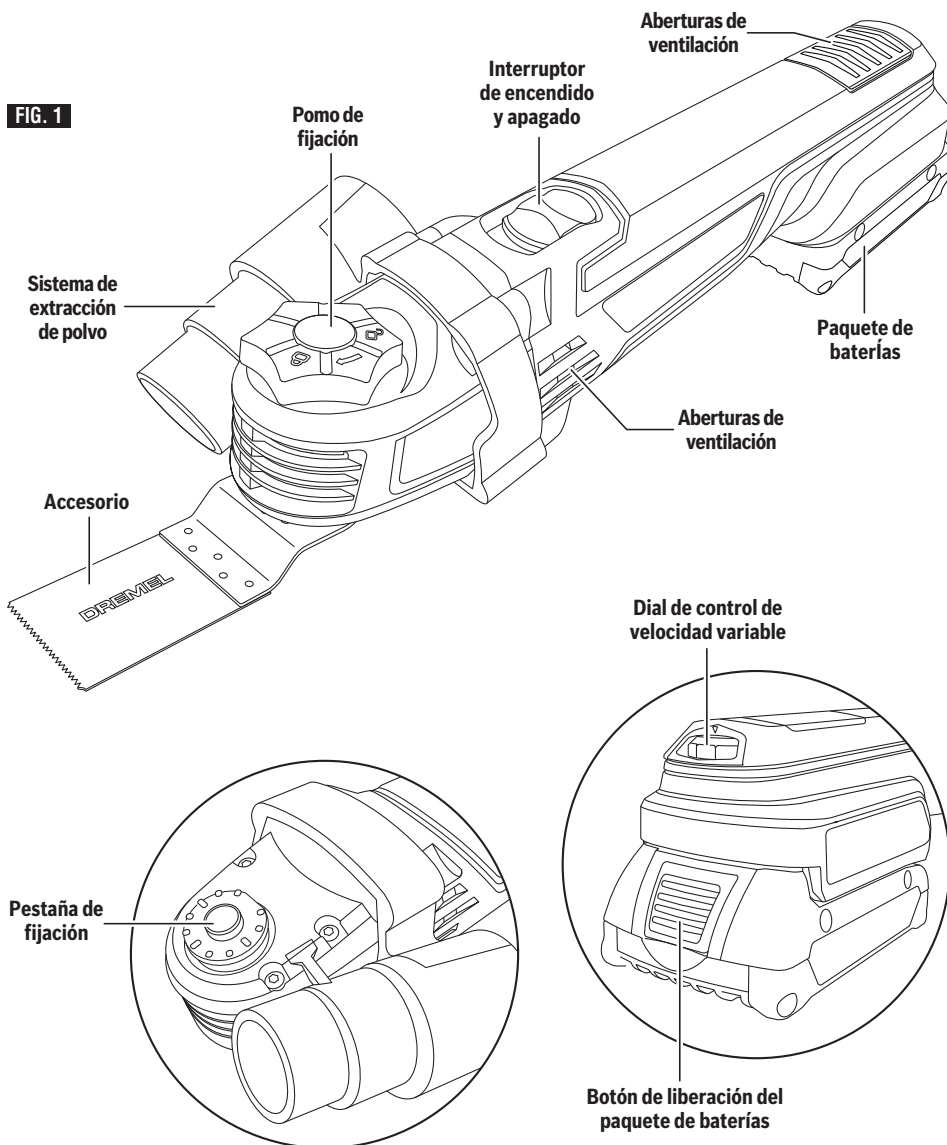
Símbolo	Désignación / Explicación
	Alerta al usuario para que lea el manual.
	Alerta al usuario para que use protección de los ojos.
	Alerta al usuario para que use protección respiratoria.
	Alerta al usuario para que use protección de la audición.
	Alerta al usuario para que use protección de los ojos, respiratoria y de la audición.
	Este símbolo indica que Underwriters Laboratories ha catalogado esta herramienta indicando que cumple con las normas estadounidenses y canadienses.
	Este símbolo indica que esta herramienta está catalogada por la Canadian Standards Association.
	Este símbolo indica que la Canadian Standards Association ha catalogado esta herramienta indicando que cumple con las normas estadounidenses y canadienses.
	Este símbolo indica que Intertek Testing Services ha catalogado esta herramienta indicando que cumple con las normas estadounidenses y canadienses.
	Designa el programa de reciclaje de baterías de Li-ion.

Descripción funcional y especificaciones


ADVERTENCIA Desconecte el paquete de batería de la herramienta antes de realizar cualquier ensamblaje, ajuste o cambio de accesorios. Dichas medidas preventivas de seguridad reducen el riesgo de arrancar la herramienta accidentalmente.

Multiherramienta oscilante Multi-Max™ MM20V

FIG. 1



Especificaciones

Número de modelo	MM20V
Tensión nominal	18V/20V  Max.
Velocidad sin carga	n_0 10,000-20,000/min

NOTA: Para obtener las especificaciones de la herramienta, consulte la placa del fabricante colocada en la herramienta.

Battery Packs/Chargers

Please refer to the battery/charger list included with your tool.

Introducción

Gracias por comprar la herramienta Dremel Multi-Max™.

Esta herramienta fue diseñada para realizar proyectos caseros de reparación, remodelación y restauración. La Dremel Multi-Max™ realiza tareas que son tediosas, toman mucho tiempo o simplemente son casi imposibles de realizar con cualquier otra herramienta. La carcasa ergonómica está diseñada para que usted la agarre y controle de manera cómoda durante la utilización.

Viene con accesorios de alta calidad que están diseñados específicamente para realizar trabajo de remodelación donde usted necesite precisión y control.

La Dremel Multi-Max™ tiene un robusto motor eléctrico, es cómoda en la mano y está hecha para aceptar una

gran variedad de accesorios, incluyendo hojas para cortar al ras, hojas rascadoras, discos quitalechada y almohadillas de lijar.

Los accesorios vienen en una variedad de formas y permiten que usted realice varios trabajos diferentes. A medida que usted se vaya familiarizando con la gama de accesorios y sus usos, aprenderá lo versátil que realmente es su Dremel Multi-Max™ MM20V.

Visite www.dremel.com para obtener más información sobre lo que usted puede hacer con su Dremel Multi-Max™.

Uso previsto

Esta Dremel Multi-Max™ MM20V es una herramienta multiuso que forma parte esencial de cualquier caja de herramientas. La Multi-Max MM20V utiliza un movimiento rápido de un lado a otro para cortar, rascar, lijar, quitar lechada, amolar y mucho más. Con una versatilidad, una durabilidad y un control extraordinarios, usted puede realizar una amplia gama de proyectos de bricolaje para reparar, remodelar y restaurar. No importa el proyecto de que se trate, la Multi-Max™ ofrece una solución sencilla con infinitas posibilidades.

Ensamblaje

⚠ ADVERTENCIA Desconecte el paquete de batería de la herramienta antes de realizar cualquier ensamblaje, ajuste o cambio de accesorios. Dichas medidas preventivas de seguridad reducen el riesgo de arrancar la herramienta accidentalmente.

Introducción y suelta del paquete de baterías

⚠ ADVERTENCIA Utilice únicamente Dremel B20V20 o las baterías que se enumeran en la lista de baterías / cargadores. El uso de otros tipos de baterías puede provocar lesiones personales o daños a la propiedad.

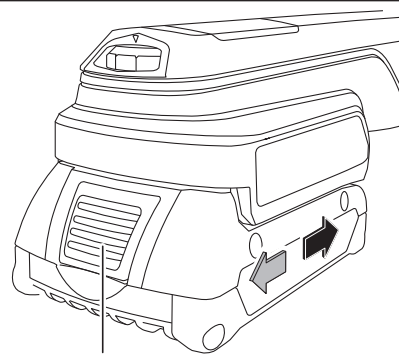
Asegúrese de que el interruptor esté en la posición de apagado antes de insertar la batería. Insertar la batería en herramientas eléctricas que tienen el interruptor encendido puede provocar accidentes.

Deslice la batería cargada en la carcasa hasta que encaje en su posición (Fig. 2).

Su herramienta está equipada con un pestillo de bloqueo secundario para evitar que el paquete de baterías se caiga completamente de la carcasa de la herramienta, en caso de que se afloje durante el uso.

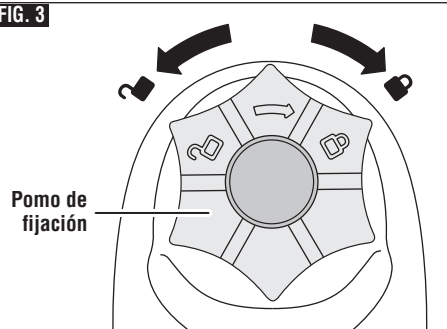
Para quitar el paquete de baterías, presione el botón de liberación del paquete de baterías y deslice el paquete de baterías completamente fuera de la carcasa de la herramienta (Fig. 2).

FIG. 2



Botón de liberación del paquete de baterías

FIG. 3



Pomo de fijación

Instalación y remoción de accesorios con el cambio de accesorios quick lock™

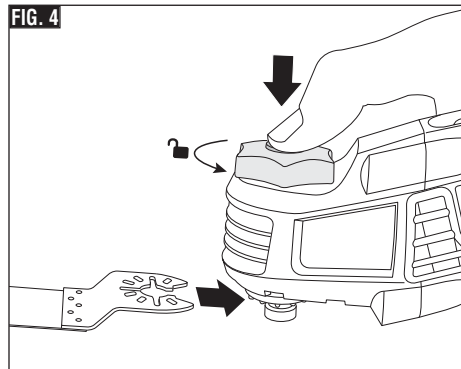
⚠ ADVERTENCIA Para todo el trabajo o cuando cambie accesorios, use siempre guantes protectores. Dichas medidas de seguridad preventiva reducen el riesgo de lesiones causadas por los bordes afilados de los accesorios. Las herramientas de aplicación se pueden poner muy calientes mientras funcionan. ¡Peligro de quemaduras!

⚠ ADVERTENCIA Utilice únicamente accesorios Bosch con una capacidad nominal de 21000 OPM o mayor. Puede que el uso de accesorios que no estén diseñados para esta herramienta eléctrica cause lesiones corporales graves y daños materiales.

La Dremel Multi-Max™ MM20V incluye un mecanismo integrado de cambio de accesorios. La interfaz de accesorios Quick Lock™ le permite a usted instalar y retirar los accesorios sin necesidad de una llave de tuerca o una llave hexagonal.

1. Para instalar un accesorio utilizando el dispositivo Easy-Lock, afloje primero el pomo de fijación girándolo en sentido contrario al de las agujas del reloj (Fig. 3).

FIG. 4

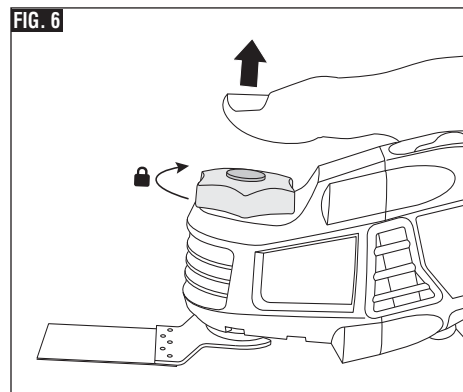
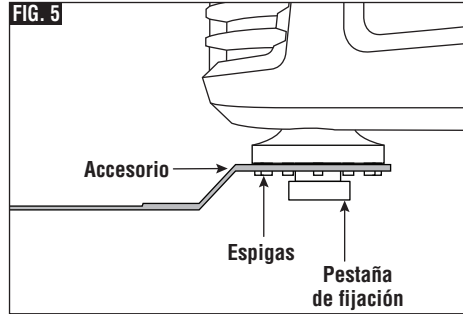


Ensamblaje

- Presione el pomo de fijación para que la pestaña de fijación se extienda lo suficiente para encajar una hoja entre dicha pestaña y la interfaz. Es posible que necesite aflojar más el pomo de fijación para dejar espacio adecuado para el accesorio (Fig. 4).
- Coloque el accesorio sobre la interfaz, asegurándose de que dicho accesorio se acople en todas las espigas de la interfaz y que esté al ras contra el portaaccesorio (Fig. 5).
- Reduzca la presión en el pomo de fijación. La acción de resorte del mecanismo sujetará la hoja en la posición correcta mientras usted la asegura (Fig. 6).
- Apriete el pomo de fijación girándolo en el sentido de las agujas del reloj (Fig. 3). Asegúrese de apretar completamente el pomo de fijación hasta que no pueda girarlo (sin que tenga una sensación incómoda).

Nota: Algunos accesorios, tales como los rascadores o las hojas, se pueden montar tanto rectos en la herramienta como en ángulo para mejorar la utilizabilidad (Fig. 7).

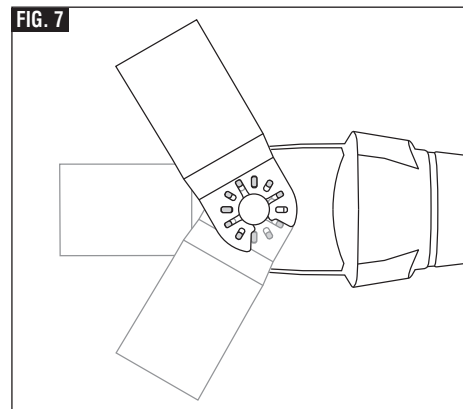
Para hacer esto con la interfaz Easy-Lock, coloque el accesorio sobre el portaaccesorio, asegurándose de que dicho accesorio se acople en todas las espigas y que esté al ras contra el portaaccesorio. Fije firmemente el accesorio en la posición correcta tal y como se describió previamente (Fig. 3).



Remoción de accesorios con el cambio de accesorios Easy-Lock

- Para retirar un accesorio, afloje primero el pomo de fijación girándolo en sentido contrario al de las agujas del reloj (Fig. 3).
- Presione el pomo de fijación y levante el portaaccesorio para separarlo de las espigas. Es posible que tenga que aflojar más el pomo de fijación para dejar espacio adecuado para retirar el accesorio (Fig. 4).

Nota: Es posible que la hoja esté caliente después del uso; espere a que se enfríe antes de tocarla.



Ensamblaje

Instalación y remoción de las hojas de lija

La almohadilla de soporte utiliza accesorios con soporte de enganche y cierre, los cuales agarran firmemente la almohadilla de soporte cuando se aplican con una presión moderada.

1. Alinee la hoja de lija y presiónela a mano sobre la placa de lijado.
2. Presione firmemente la herramienta eléctrica con la hoja de lija contra una superficie plana y encienda brevemente la herramienta eléctrica. Esto promoverá una buena adhesión y ayudará a evitar el desgaste prematuro.
3. Para cambiar la hoja de lija, simplemente desprenda la hoja de lija vieja, quite el polvo de la almohadilla de soporte, si es necesario, y presione la hoja de lija nueva en la posición correcta.

Después de un servicio considerable, la superficie de la almohadilla de soporte se desgastará y dicha almohadilla deberá ser reemplazada cuando ya no ofrezca un agarre firme. Si la almohadilla de soporte se desgasta prematuramente, reduzca la cantidad de presión que está ejerciendo durante la utilización de la herramienta.

Para obtener el máximo uso del abrasivo, rote la almohadilla 120 grados cuando la punta del abrasivo se desgaste.

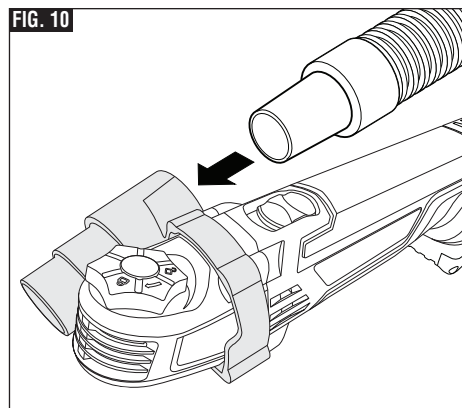
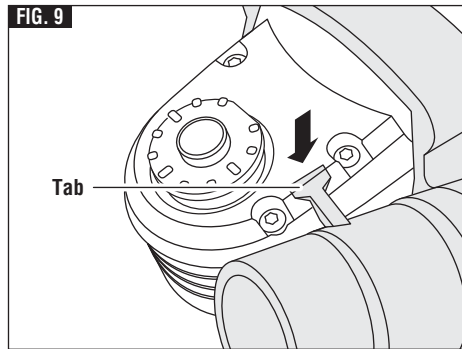
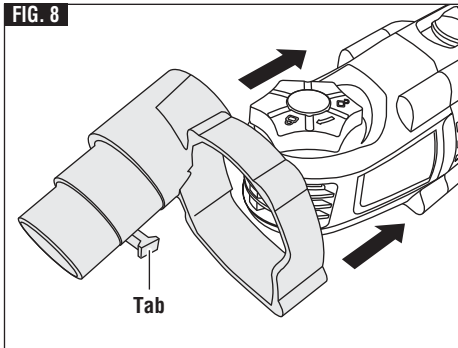
Manejo de polvo

⚠ ADVERTENCIA La aspiradora debe ser adecuada para el material en el que se esté trabajando. Cuando aspire polvo seco que sea especialmente perjudicial para la salud o cancerígeno, utilice una aspiradora que esté diseñada específicamente para ese propósito.

Su Dremel MM20V incluye un sistema de extracción de polvo que ayuda a mantener limpia su área de trabajo.

Para realizar la instalación, deslice el adaptador de extracción de polvo sobre el extremo delantero de la MM20V (Fig. 8). Mueva el adaptador hacia la parte trasera de la herramienta hasta que encaje firmemente sobre el cuerpo. Fije el adaptador de extracción de polvo insertando la lengüeta en la parte inferior de la MM20V (Fig. 9).

Conecte la manguera de aspiración (no incluida) al adaptador y luego conecte el extremo opuesto de la manguera a una aspiradora de taller (Fig. 10).



Instrucciones de utilización



ADVERTENCIA Desconecte el paquete de batería de la herramienta antes de realizar cualquier ensamblaje, ajuste o cambio de accesorios. Dichas medidas preventivas de seguridad reducen el riesgo de arrancar la herramienta accidentalmente.

APRENDIZAJE DEL USO DE LA HERRAMIENTA

Sacar el máximo provecho de su herramienta oscilante es cuestión de aprender a dejar que la velocidad y la sensación de la herramienta en sus manos trabajen para usted.

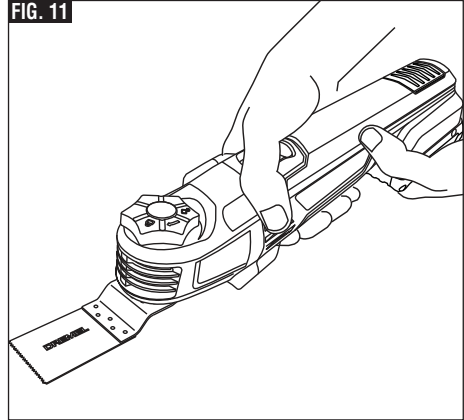
El primer paso para aprender a usar la herramienta es familiarizarse con su "sensación". Sosténgala en la mano y sienta su peso y equilibrio (Fig. 11). Dependiendo de la aplicación, usted tendrá que ajustar la posición de la mano para lograr una comodidad y un control óptimos. El agarre cómodo especial del cuerpo de la herramienta brinda comodidad y control adicionales durante la utilización.

Cuando agarre la herramienta, no cubra las aberturas de ventilación con la mano. Si se bloquean las aberturas de ventilación, el resultado podría ser que el motor se sobrecaliente.

¡IMPORTANTE! Practique primero en material de desecho para comprobar cómo funciona la acción de alta velocidad de la herramienta. Tenga presente que la herramienta funcionará mejor al permitir que la velocidad, junto con el accesorio correcto, haga el trabajo para usted. Tenga cuidado de no ejercer demasiada presión.

En lugar de ello, baje ligeramente el accesorio oscilante hasta la superficie de trabajo y deje que toque el punto en el cual usted desea comenzar. Concéntrese en guiar la

FIG. 11



herramienta sobre la pieza de trabajo utilizando muy poca presión con la mano. Deje que el accesorio haga el trabajo.

Generalmente es mejor hacer una serie de pasadas con la herramienta en lugar de hacer todo el trabajo en una sola pasada. Por ejemplo, para hacer un corte, pase la herramienta hacia atrás y hacia delante sobre la pieza de trabajo. Corte un poco de material en cada pasada hasta que alcance la profundidad deseada.

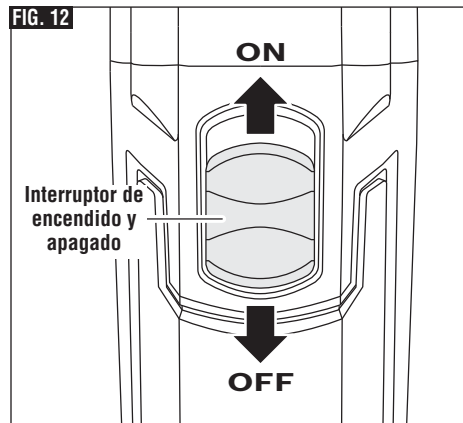
Interruptor de "encendido y apagado" deslizante

La herramienta se ENCIENDE por medio del interruptor oscilante ubicado en el lado superior de la carcasa del motor (Fig. 12).

PARA ENCENDER LA HERRAMIENTA, deslice el botón del interruptor hacia delante.

PARA APAGAR LA HERRAMIENTA, deslice el botón del interruptor hacia atrás.

FIG. 12



Instrucciones de utilización

Dial de control de velocidad variable

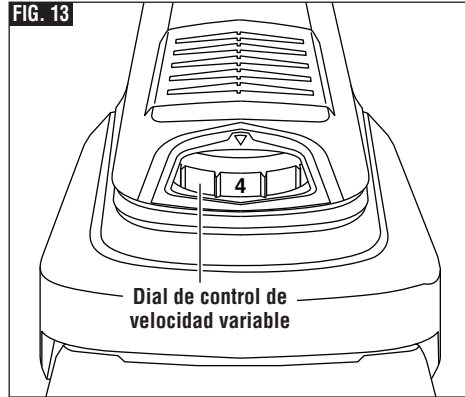
Esta herramienta está equipada con un dial de control de velocidad variable (Fig. 13). La velocidad se puede controlar durante la utilización preajustando el dial en cualquiera de las diez posiciones.

Velocidades de funcionamiento

La Dremel Multi-Max™ consiste en un motor universal de CA y un mecanismo oscilante para realizar aplicaciones tales como corte, remoción de lechada, rascado, lijado y mucho más.

La Dremel Multi-Max™ tiene un elevado movimiento de oscilación de 10,000 a 21,000 /min (OPM). El movimiento de alta velocidad permite que la Dremel Multi-Max™ logre excelentes resultados. El movimiento oscilante permite que el polvo caiga a la superficie en lugar de lanzar las partículas al aire.

Para lograr los mejores resultados cuando trabaje con diferentes materiales, ajuste el control de velocidad variable para adecuarse al trabajo (consulte el "Cuadro de velocidades" que aparece en la página 62 y 63 para obtener orientación). Para seleccionar la velocidad adecuada para el accesorio



que se esté utilizando, practique primero con material de desecho.

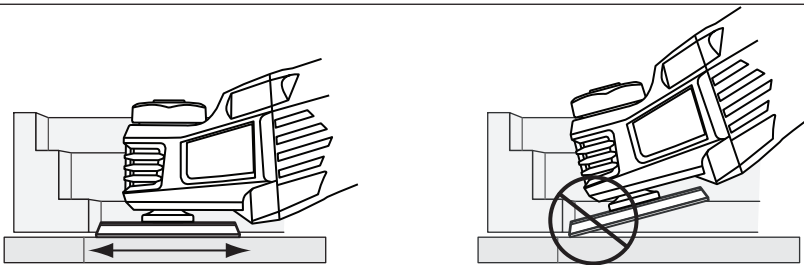
Los ajustes del control de velocidad variable están marcados en el dial del control de velocidad.

Puede consultar los cuadros que aparecen en las siguientes páginas para determinar el ajuste adecuado del dial de velocidad, basándose en el material y el accesorio que se esté utilizando. Estos cuadros le permiten seleccionar tanto el accesorio correcto como el ajuste óptimo del dial de velocidad con solo echar un vistazo.

Sírvase consultar las figuras 14-16 para obtener instrucciones adicionales sobre cómo utilizar su Dremel Multi-Max™. Seguir esas instrucciones le permitirá obtener el máximo rendimiento de su herramienta oscilante.

TÉCNICAS DE LIJADO

FIG. 14



CORRECTA: Lije siempre con la almohadilla y el papel de lija en posición plana contra la superficie de trabajo. Trabaje suavemente con un movimiento hacia detrás y hacia delante, dejando que el peso de la herramienta haga el trabajo.

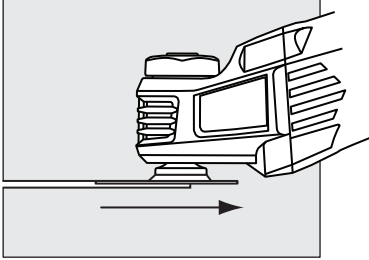
INCORRECTA: Evite inclinar la almohadilla. Lije siempre en posición plana, manteniendo la mayor cantidad posible de papel de lija en contacto con la superficie de trabajo.

Instrucciones de utilización

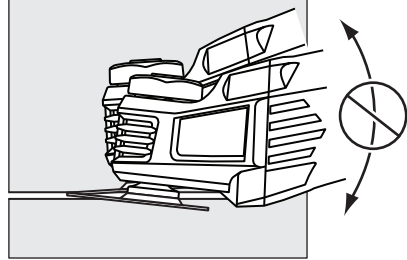
TÉCNICAS DE CORTE

Corte de panel de yeso o madera blanda con la hoja MM450

FIG. 15



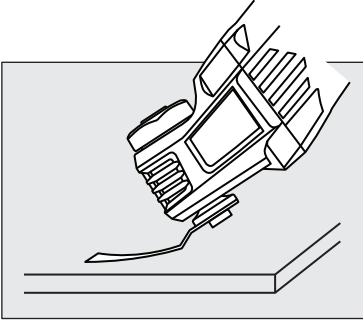
CORRECTA: Corte siempre con un movimiento suave hacia detrás y hacia delante. No fuerce nunca la hoja. Aplique una presión ligera para guiar la herramienta.



INCORRECTA: No tuerza la herramienta mientras corta. Esto puede hacer que la hoja se atore.



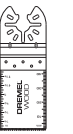
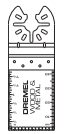
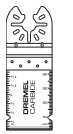
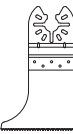


TÉCNICAS DE RASCADO

FIG. 16










Cuando utilice la hoja rascadora flexible, asegúrese de flexionar la hoja lo suficiente para proporcionar presión contra la pieza de trabajo y utilice una inclinación de 30 a 45 grados para lograr el mejor rendimiento.

Accesorios y ajustes del dial de control de velocidad variable Utilice únicamente accesorios de alto rendimiento comprobados por Dremel.

	Descripción	Números de catálogo	Madera blanda	Madera dura	Madera pintada	Laminados/Plásticos	Acero	Aluminio/Cobre	Vinilo/Alfombra	Calafateo/Adhesivo	Piedra/Cemento	Lechada
	Papel de grano 60, 120 y 240 para madera desnuda	MM70W	2 - 10	2 - 10	-	2 - 6	8 - 10	8 - 10	-	-	-	-
	Papel de grano 60, 120 y 240 para pintura	MM70P	2 - 10	2 - 10	2 - 10	2 - 6	8 - 10	8 - 10	-	-	-	-
	Hoja de HCS de 1-1/4 de pulgada (32 mm) x 1-11/16 de pulgada (42 mm) para cortar al ras madera	MM480	8 - 10	6 - 10	-	2 - 6			-	-	-	-
	Hoja BIM de 1-1/4 de pulgada (32 mm) x 1-11/16 de pulgada (42 mm) para madera/metal	MM482	8 - 10	6 - 10	-	2 - 6	8 - 10*	8 - 10	-	-	-	-
	Hoja de carburo para cortar al ras 1-1/4 x 1-11/16 pulgadas	MM485	8 - 10	6 - 10	-	2 - 6	8 - 10	8 - 10	-	-	-	-
	Hoja BIM para cortar al ras madera y metal, para tuberías y piezas de 2x4	MM494	8 - 10	6 - 10	-	2 - 6	8 - 10*	8 - 10	-	-	-	-
	Hoja de sierra de 3 pulgadas para madera y panel de yeso	MM450	8 - 10	6 - 10	-	2 - 6	-	-	-	-	-	-
	Hoja de sierra BIM de 3 pulgadas para cortar al ras madera y metal	MM452	8 - 10	6 - 10	-	2 - 6	8 - 10*	8 - 10	-	-	-	-

* Acero suave solamente

Accesorios y ajustes del dial de control de velocidad variable Utilice únicamente accesorios de alto rendimiento comprobados por Dremel.

	Números de catálogo	Madera blanda	Madera dura	Madera pintada	Laminados/Plásticos	Acero	Aluminio/Cobre	Vinilo/Alfombra	Calafateo/Adhesivo	Piedra/Cemento	Lechada
 Hoja multicuchilla	MM430	-	-	-	-	-	-	6 - 10	-	-	-
 Hoja quitatechada de 1/8 de pulgada (3 mm)	MM500	-	-	-	-	-	-	-	-	-	6 - 10
 Hoja quitatechada de 1/16 de pulgada (1.5 mm)	MM501	-	-	-	-	-	-	-	-	-	6 - 10
 Hoja rascadora rígida	MM600	-	-	2 - 4	-	-	-	2 - 6	2 - 6	-	-
 Hoja rascadora flexible	MM610	-	-	2 - 4	-	-	-	-	2 - 6	-	-
 Papel de diamante de grano 60	MM910	-	-	-	-	-	-	-	-	6 - 10	6 - 10
 Escofina de carburo de grano 24	MM920	6 - 10	6 - 10	6 - 10	-	-	-	-	-	6 - 10	6 - 10

Aplicaciones de operación

APLICACIÓN

La herramienta Dremel Multi-Max™ está diseñada para lijar y cortar materiales de madera, plástico, yeso y metales no ferrosos. Es especialmente adecuada para trabajar cerca de bordes, en espacios estrechos y para cortar al ras. Esta herramienta se debe utilizar solamente con accesorios Dremel.

A continuación se indican varios usos típicos de la herramienta Dremel Multi-Max™.

⚠ ADVERTENCIA Para todos los accesorios, trabaje con el accesorio alejado del cuerpo. No ponga nunca la mano cerca del área de trabajo ni directamente delante de dicha área. Agarre siempre la herramienta con las dos manos y use guantes protectores.

Corte al ras

Retire el exceso de madera de jamba de puerta, alféizar de ventana y/o panel inferior. Remoción de exceso de tubería de cobre o de PVC.

Trabajo de remoción

Por ejemplo, alfombras y refuerzo trasero, adhesivos de baldosa viejos, calafateado en mampostería, madera y otras superficies.

Remoción de exceso de materiales

Por ejemplo, yeso, salpicaduras de mortero, concreto en baldosas, alféizares.

Preparación de superficies

Por ejemplo, para pisos nuevos y baldosas nuevas.

Lijado de detalles

Por ejemplo, para lijar en áreas sumamente estrechas en las que de lo contrario es difícil llegar y se requiere lijado a mano.

CORTE

Las hojas de sierra son ideales para hacer cortes precisos en áreas estrechas, cerca de bordes o al ras con una superficie.

Seleccione una velocidad de intermedia a alta para hacer la penetración inicial y comience a una velocidad intermedia para tener un mayor control. Después de hacer el corte inicial, usted puede aumentar la velocidad para poder cortar más rápidamente.



Las hojas para cortar al ras están diseñadas para hacer cortes precisos con el fin de permitir la instalación de material de piso o de pared. Al cortar al ras es importante no forzar la herramienta durante el corte por inmersión. Si nota una vibración fuerte en la mano durante el corte por inmersión, eso indica que está ejerciendo demasiada presión. Retroceda un poco la herramienta y deje que la velocidad de la herramienta haga el trabajo. Mientras mantiene los dientes de la hoja dentro de la

superficie de trabajo, mueva la parte trasera de la herramienta con un movimiento lateral lento. Este movimiento ayudará a acelerar el corte.

Al hacer un corte al ras, siempre es una buena idea tener una pedaza de material de desecho (de baldosa o madera) que soporte la hoja. Si necesita apoyar la hoja para cortar al ras en una superficie delicada, debe proteger dicha superficie con cartón o cinta adhesiva.



La hoja de sierra plana es ideal para hacer cortes precisos en madera, yeso y material de panel de yeso.

Las aplicaciones incluyen cortar aberturas en pisos para ventilación, reparar pisos dañados y cortar aberturas para cajas eléctricas. La hoja funciona mejor en maderas más blandas, tales como pino. Para maderas más duras, la duración de la hoja será limitada.

Seleccione una velocidad de intermedia a alta.

La hoja de sierra plana también se puede utilizar para restaurar ventanas, facilitando la remoción de vidriado. La hoja de sierra se puede colocar directamente contra el borde del marco de la ventana, guiando la hoja a través del vidriado.

Accesorio para cortar tuberías y piezas de 2x4 Modelo MM494



La hoja para cortar tubería y piezas de 2x4 ha sido diseñada para cortar a través de materiales gruesos, tales como piezas de 2x4, así como a través de tubos, tales como tuberías tipo conducto, de cobre y de PVC.

REMOCIÓN DE LECHADA



Las hojas quitalechada son ideales para quitar lechada dañada o agrietada. Las hojas quitalechada vienen en diferentes anchuras (1/16 y 1/8 de pulgada [1.5 y 3 mm]) para trabajar con diferentes anchuras de línea de lechada. Antes de seleccionar una hoja quitalechada, mida la anchura de la línea de lechada para seleccionar la hoja apropiada.

Seleccione una velocidad de intermedia a alta.

Para quitar la lechada, use un movimiento hacia atrás y hacia delante, haciendo varias pasadas a lo largo de la línea de lechada. La dureza de la lechada dictará cuántas pasadas se necesitan. Intente mantener y mantenga alineada la hoja quitalechada con la línea de lechada y tenga cuidado de no ejercer demasiada presión lateral sobre la hoja quitalechada durante el proceso. Para controlar la profundidad de inmersión, use la línea de grano de carburo de la hoja como indicador. Tenga cuidado de no penetrar más allá de la línea de grano de carburo, para evitar dañar el material de la tabla de soporte.

Las hojas quitalechada pueden quitar lechada con arena y

Aplicaciones de operación

sin arena. Si observa que la hoja se satura durante el proceso de remoción de lechada, puede usar un cepillo de latón para limpiar el grano, con lo cual dejará de nuevo expuesto el grano.

La geometría de la hoja quitalechada está diseñada para que la hoja pueda quitar toda la lechada hasta la superficie de una pared o esquina. Esto se puede lograr asegurándose de que la porción segmentada de la hoja esté orientada hacia la pared o la esquina.

RASCADO



Los rascadores son adecuados para quitar capas viejas de barniz o adhesivos y quitar alfombra adherida, por ej., en escaleras, escalones y otras superficies

de tamaño pequeño o mediano.

Seleccione una velocidad de baja a intermedia.

Los rascadores rígidos son para la remoción de áreas grandes y materiales más duros, tales como piso de vinilo, alfombra y adhesivos para baldosa. Cuando quite adhesivos fuertes y pegajosos, **engrase la superficie de la hoja rascadora con vaselina o grasa de silicona para reducir la acumulación de goma.**

El piso de alfombra o de vinilo se quita más fácilmente si se estría antes de quitarlo, para que la hoja rascadora se pueda mover debajo del material del piso.



Los rascadores flexibles se utilizan para áreas difíciles de alcanzar y material más blando, tal como calafateo.

Monte la hoja rascadora con el lado del logotipo orientado hacia arriba. Con el raspador flexible, asegúrese de que la cabeza del tornillo no entre en contacto con la superficie durante el proceso de rascado (se recomienda una inclinación de 30 a 45 grados). Esto se puede lograr asegurándose de que la herramienta esté en ángulo respecto a la hoja. Usted debería poder ver cómo la hoja se flexiona durante el proceso de rascado.

Si está quitando lechada de una superficie delicada, tal como una tina o un protector de baldosa contra salpicaduras, recomendamos poner cinta adhesiva en la superficie o proteger la superficie en la que la hoja se vaya a apoyar. Use alcohol desinfectante para limpiar la superficie después de quitar el calafateo y/o el adhesivo.

Encienda la herramienta y coloque el accesorio deseado en el área donde se vaya a quitar material.

Comience con una presión ligera. El movimiento oscilante del accesorio ocurre solamente cuando se aplica presión al material que se va a quitar.

Una presión excesiva puede estriar o dañar las superficies de fondo (por ejemplo, madera o yeso).

LIJADO



Los accesorios de lijado son adecuados para lijar en seco madera, metal, superficies, esquinas, bordes y áreas difíciles de alcanzar.

Trabaje con la superficie completa de la almohadilla de lijar, no solamente con la punta.

Las esquinas se pueden acabar utilizando la punta o el borde del accesorio seleccionado, el cual se debe rotar ocasionalmente durante el uso, para distribuir el desgaste en la superficie del accesorio y de la almohadilla de soporte.

Lije con un movimiento continuo y una presión ligera. NO ejerza una presión excesiva, deje que la herramienta haga el trabajo. Una presión excesiva causará un manejo deficiente, vibración, marcas de lijado no deseadas y desgaste prematuro de la hoja de lija.

Asegúrese siempre de que las piezas de trabajo más pequeñas estén sujetas firmemente a un banco de trabajo u otro soporte. Los paneles más grandes se pueden sujetar en posición adecuada con la mano en un banco de trabajo o en caballetes de aserrar.

Se recomiendan hojas de lija de óxido de aluminio de capa abierta para la mayoría de aplicaciones de lijado de madera o metal, ya que este material sintético corta rápidamente y resiste bien el desgaste. Algunas aplicaciones, tales como el acabado o la limpieza de metales, requieren almohadillas abrasivas especiales que están disponibles a través de su distribuidor. Para obtener los mejores resultados, use accesorios de lijar Dremel, que son de calidad superior y están seleccionados cuidadosamente para producir resultados de calidad profesional con su herramienta oscilante.

Las siguientes sugerencias se pueden usar como guía general para la selección del abrasivo, pero los mejores resultados se obtendrán lijando primero una muestra de prueba de la pieza de trabajo.

Grano	Aplicación
Grueso	Para lijado basto de madera o metal, y para remoción de óxido o acabado viejo.
Mediano	Para lijado general de madera o metal
Fino	Para acabado final de madera, metal, yeso y otras superficies.

Con la pieza de trabajo firmemente sujeta, encienda la herramienta tal y como se ha descrito anteriormente. Contacte la pieza de trabajo con la herramienta después de que ésta haya alcanzado toda su velocidad y retire la herramienta de la pieza de trabajo antes de apagarla. La utilización de la herramienta oscilante de esta manera

Aplicaciones de operación

prolongará la duración del interruptor y del motor, y aumentará enormemente la calidad del trabajo que usted realiza.

Mueva la herramienta oscilante en pasadas largas y firmes paralelas a la veta, utilizando un poco de movimiento lateral para superponer las pasadas tanto como en un 75%. NO ejerza una presión excesiva, deje que la herramienta haga el trabajo. Una presión excesiva causará un manejo deficiente, vibración y marcas de lijado no deseadas.

AMOLADO



El accesorio de papel de diamante permite utilizar la Multi-Max™ para amolar cemento, yeso o mortero de capa delgada. La preparación de la superficie para reemplazar baldosas es una aplicación común para este accesorio.

El papel de diamante se debe montar en la almohadilla de soporte antes de utilizarlo.



Seleccione una velocidad de baja a alta, dependiendo de la tasa de remoción de material deseada.

El accesorio de escofina de carburo también permite a la Multi-Max™ amolar cemento, mortero de capa delgada y enlucido, así como madera. Este accesorio se utiliza comúnmente para realizar la preparación con el fin de reemplazar baldosa o para raspar madera con el fin de alisar una superficie o retirar material.




La velocidad se debe a ajustar a alta velocidad para una remoción agresiva de material o a baja velocidad para una remoción más detallada de material.

NO ejerza una presión excesiva sobre la herramienta. Deje que ésta haga el trabajo.

Las esquinas se pueden acabar utilizando la punta o el borde del accesorio seleccionado, el cual se debe rotar ocasionalmente durante el uso, para distribuir el desgaste en la superficie del accesorio y de la almohadilla de soporte.

Amole con un movimiento continuo y una presión ligera. NO ejerza una presión excesiva, deje que la herramienta haga el trabajo. Una presión excesiva causará un manejo deficiente, vibración y desgaste prematuro de la hoja de papel de diamante.

Selección de hojas de lija/amolado

Material	Aplicación	Tamaño de grano	
Todos los materiales de madera (por ej., madera dura, madera blanda, tablero de cartón-madera y tablero de construcción) Materiales metálicos: Materiales metálicos, fibra de vidrio y plásticos  Papel de lija (oscuro)	Para lijado basto, por ej., de vigas y tablas bastas no acepilladas	Grueso	60
	Para lijado de caras y acepillado de irregularidades pequeñas	Mediano	120
	Para lijado de acabado y fino de madera	Fino	240
Pintura, barniz, compuesto de relleno y rellenor  Papel de lija (blanco)	Para lijar pintura	Grueso	80
	Para lijar imprimador (por ej., para quitar pelos de cepillo, gotas de pintura y escurrimiento de pintura)	Mediano	120
	Para lijado final de imprimadores antes de recubrirlos	Fino	240
Mampostería, piedra, cemento y mortero de capa delgada  Papel de diamante	Para alisar, perfilar y romper bordes	Grueso	60

Información de mantenimiento

⚠ ADVERTENCIA Para evitar accidentes, desconecte siempre el paquete de batería de la herramienta antes de realizar servicio de ajustes y reparaciones o limpieza.

Servicio

⚠ ADVERTENCIA El mantenimiento preventivo realizado por personal no autorizado puede dar lugar a la colocación incorrecta de cables y componentes internos que podría constituir un peligro serio. Recomendamos que todo el servicio de las herramientas sea realizado por un Centro de servicio de fábrica Dremel.

Baterías

Esté alerta a los paquetes de baterías que estén aproximándose al final de su vida útil. Si observa una disminución del rendimiento de la herramienta o un tiempo de funcionamiento significativamente más corto entre cargas, entonces ha llegado el momento de cambiar el paquete de baterías. Si no se hace esto, el resultado puede ser que la herramienta funcione incorrectamente o que el cargador se dañe.

Limpieza

⚠ PRECAUCION Ciertos agentes de limpieza y disolventes dañan las piezas de plástico. Algunos de estos son: gasolina, tetracloruro de carbono, disolventes de limpieza clorados, amoníaco y detergentes domésticos que contienen amoníaco.

Las aberturas de ventilación y las palancas de interruptor deben mantenerse limpias y libres de materias extrañas. No intente limpiar introduciendo objetos puntiagudos a través de las aberturas.

Almacenamiento

1. Retire la batería de la Sierra Ultra US20V.
2. Coloque la herramienta y la batería en una superficie limpia, seca, libre de polvo y preferiblemente incombustible, donde el intervalo de temperatura sea entre 65 y 65 F (16 y 29 C). Asegúrese de que el área no esté ocupada por otras herramientas u objetos.
3. Retire la batería del cargador cuando el ciclo de carga se haya completado y desenchufe el cargador de la fuente de alimentación. Almacene la batería tal y como se describe en el núm. 2 que antecede.

Garantía limitada de Dremel®

Su producto Dremel está garantizado contra defectos de material o de fabricación durante un período de dos años a partir de la fecha de compra. En caso de que un producto no se ajuste a esta garantía escrita, por favor, tome las medidas siguientes:

1. NO devuelva el producto al lugar de compra.
2. Empaque el producto cuidadosamente y solo, sin otros artículos, y envíelo con el porte pagado junto con:
 - A. Una copia de la prueba de compra fechada (por favor, conserve una copia para usted).
 - B. Una explicación por escrito de la naturaleza del problema.
 - C. Su nombre, dirección y número de teléfono a:

ESTADOS UNIDOS

Robert Bosch Tool
Corporation Dremel Repairs **O**
173 Lawrence 428 Dock #2
Walnut Ridge, AR 72476

CANADÁ

Giles Tool Agency
47 Granger Av.
Scarborough, Ontario Canada
M1K 3K9 1-416-287-3000

FUERA DE LOS TERRITORIOS CONTINENTALES DE LOS EE.UU.

Vea al distribuidor local o escriba a:
Dremel Repairs 173 Lawrence 428 Dock #2 Walnut Ridge, AR 72476

Recomendamos que el paquete sea asegurado contra pérdida o daños durante el transporte por los cuales no podemos ser responsables.

Esta garantía tiene validez únicamente para el comprador original inscrito. LOS DAÑOS AL PRODUCTO PRODUCIDOS POR MANIPULACION INCORRECTA, ACCIDENTE, ABUSO, NEGLIGENCIA, REPARACIONES O ALTERACIONES NO AUTORIZADAS, ACCESORIOS NO APROBADOS U OTRAS CAUSAS NO RELACIONADAS CON PROBLEMAS DEL MATERIAL O LA FABRICACION NO ESTAN CUBIERTOS POR ESTA GARANTIA.

Ningún empleado, agente, distribuidor, ni ninguna otra persona está autorizado a dar ninguna garantía en nombre de Dremel. Si la inspección de Dremel demuestra que el problema fue causado por problemas con el material o la fabricación dentro de los límites de la garantía, Dremel reparará o reemplazará el producto gratuitamente y devolverá el producto con el porte pagado. Las reparaciones necesarias debido al desgaste normal o al abuso, o las reparaciones de productos que se encuentren fuera del período de garantía, en caso de que se puedan realizar, se cobrarán a precios de fábrica normales.

DREMEL NO DA NINGUNA OTRA GARANTIA DE NINGUN OTRO TIPO, EXPRESA O IMPLICITA, Y TODAS LAS GARANTIAS IMPLICITAS DE COMERCIABILIDAD E IDONEIDAD PARA UN PROPOSITO ESPECIFICO QUE EXCEDEN LA OBLIGACION MENCIONADA ANTERIORMENTE QUEDAN POR LA PRESENTE RECHAZADAS POR PARTE DE DREMEL Y ESTAN EXCLUIDAS DE ESTA GARANTIA LIMITADA.

Esta garantía le confiere a usted derechos legales específicos y es posible que usted también tenga otros derechos que varían de un estado a otro. La obligación del garante consiste únicamente en reparar o reemplazar el producto. El garante no es responsable de ningún daño incidental o emergente debido a cualquiera de dichos defectos alegados. Algunos estados no permiten la exclusión o limitación de los daños incidentales o emergentes, por lo que es posible que las limitaciones o la exclusión anteriores no sean aplicables en el caso de usted.

Para precios y cumplimiento de la garantía en los territorios continentales de los Estados Unidos, póngase en contacto con el distribuidor local Dremel.

Exportado por: © Robert Bosch Tool Corporation Mt. Prospect, IL 60056 -2230, E.U.A.

Importado a México por: Robert Bosch, S. de R.L. de C.V.
Calle Robert Bosch No. 405 - 50071 Toluca, Edo. de Méx. - México
Tel. 052 (722) 279 2300 ext 1160 / Fax. 052 (722) 216-6656

