

IMPORTANT
Read Before Using

IMPORTANT
Lire avant usage

IMPORTANTE
Leer antes de usar



Operating / Safety Instructions
Consignes d'utilisation/de sécurité
Instrucciones de funcionamiento y seguridad

HSGP-01



DREMEL®

Call Toll Free for Consumer Information and Service Locations

Pour obtenir des informations et les adresses de nos centres de service après-vente, appelez ce numéro gratuit

Llame gratis para obtener información para el consumidor y ubicaciones de servicio

1-800-4-DREMEL (1-800-437-3635) www.dremel.com





For English Version
See page 2

Version française
Voir page 11

Versión en español
Ver la página 22

Safety Symbols

The definitions below describe the level of severity for each signal word. Please read the manual and pay attention to these symbols.

	This is the safety alert symbol. It is used to alert you to potential personal injury hazards. Obey all safety messages that follow this symbol to avoid possible injury or death.
	DANGER indicates a hazardous situation which, if not avoided, will result in death or serious injury.
	WARNING indicates a hazardous situation which, if not avoided, could result in death or serious injury.
	CAUTION indicates a hazardous situation which, if not avoided, could result in minor or moderate injury.

General Power Tool Safety Warnings

WARNING Read all safety warnings, instructions, illustrations and specifications provided with this power tool. Failure to follow all instructions listed below may result in electric shock, fire and/or serious injury.

SAVE ALL WARNINGS AND INSTRUCTIONS FOR FUTURE REFERENCE

The term "power tool" or "tool" in the warnings or instruction text, refers to battery-operated (cordless) glue pen.

WARNING Melted glue will burn skin; operating nozzle temperature is 338° F (170° C). Do not touch melted glue or nozzle area. If accidental contact occurs, do not remove glue. Immediately put burned area into cold water. Always wear protective clothing, safety glasses, gloves, long sleeve shirt and long pants. Keep out of reach of children. Keep away from flammables. No user serviceable parts inside. Manufacturer assumes no responsibility for consequential or indirect damages from the use of this product.

WARNING Do not attempt to melt crayons or candles. Do not use any material other than recommended glue sticks. Permanent damage to the glue pen could result.

Do not use hot melt glue to replace structural fasteners. The adhesive used with this glue gun will begin to soften at 140° F (60° C). Don't use the glue on objects that will be subjected to temperatures of 140° F (60° F) or above.

Avoid accidental discharge. Do not touch glue stick or trigger except to dispense glue. Feeding or pushing glue stick with too much force into heated glue pen may cause hot glue to be unexpectedly expelled from nozzle or to flow back from inlet tube.

Do not pull glue sticks from glue pen. The feed mechanism may become damaged or impaired. If you desire to change types of glue, cut off protruding end and feed the remainder through with the new type of glue.

Do not store the glue pen in direct sunlight for extended periods.

Never attempt to force cool the glue pen after use by immersing any part of it in water or any other liquid. Allow the glue pen to air cool only. Allow glue pen to cool before storing.

This glue pen contains no user serviceable parts.

Do not incinerate this glue pen even if it is severely damaged.

This glue pen is not intended for use by persons (including children) with reduced physical, sensory or mental capabilities, or lack of experience and knowledge, unless they have been given supervision or instruction concerning use of the glue pen by a person responsible for their safety.

Children should be supervised to ensure that they do not play with the glue pen.

Safety Rules for Charging

- a. **This manual contains instructions for power adapter model 510.** Do not substitute any other power adapter.
- b. **Before using power adapter, read all instructions and cautionary markings on (1) power adapter, and (2) product using battery.**
- c. **Charge only Dremel HSGP-01.** Other types of cordless tools may burst causing personal injury and damage.
- d. **Charge tool in temperatures above +41 degrees F (5 degrees C) and below +104 degrees F (40 degrees C). Store tool in locations where temperatures will not exceed 113 degrees F (45 degrees C).** This is important to prevent serious damage to the battery cells.
- e. **Do not recharge tool in damp or wet environment. Do not expose power adapter to rain or snow.** Water entering power adapter may result in electric shock or fire.
- f. **Battery leakage may occur under extreme usage or temperature conditions. Avoid contact with skin and eyes.** The battery liquid is caustic and could cause chemical burns to tissues. If liquid comes in contact with skin, wash quickly with soap and water. If the liquid contacts your eyes, flush them with water for a minimum of 10 minutes and seek medical attention.
- g. **Keep power adapter and glue pen away from flammable material when recharging the glue pen.** Carpeting and other heat insulating surfaces block proper air circulation, which may cause overheating of the power adapter and tool. If smoke or melting of the power adapter or tool is observed, unplug the power adapter immediately and do not use the tool or power adapter. Contact customer service immediately.
- h. **Make sure cord is located so that it will not be stepped on, tripped over, or otherwise subjected to damage or stress.** Damaged plug and cord may result in electric shock or fire.
- i. **Disconnect the power adapter by pulling the plug rather than the cord. Do not operate power adapter with damaged cord or plug; have them replaced immediately.** Damaged plug or cord may result in electric shock or fire.
- j. **Do not disassemble power adapter or operate the power adapter if it has received a sharp blow, been dropped or otherwise damaged in anyway.** Incorrect reassembly or damage may result in electric shock or fire.
- k. **Before each use, check the power adapter, cable and plug. If damage is detected, do not use the power adapter. Never open the power adapter yourself, take it to a Dremel Factory Service Center, or qualified serviceman only using original spare parts.** Incorrect reassembly may result in electric shock or fire.
- l. **Unplug tool from power adapter when battery in tool is fully charged.** Tool left plugged into the power adapter over a long period of time could lead to tool damage and fire.
- m. **Unplug power adapter from outlet before storage, attempting any maintenance or cleaning.** Such preventive safety measures reduce the risk of electric shock or fire.

Battery Care

- a. **DO NOT PUT BATTERIES INTO FIRE OR EXPOSE TO HIGH HEAT.** They may explode.
- b. **Battery leakage may occur under extreme usage or temperature conditions. Avoid contact with skin and eyes.** The battery liquid is caustic and could cause chemical burn to tissues. If liquid comes in contact with skin, wash quickly with soap and water. If the liquid contacts your eyes, flush them with water for a minimum of 10 minutes and seek medical attention.

Battery Disposal

⚠ WARNING Do not attempt to disassemble the tool or remove any component projecting from the tool. Fire or injury may result. Prior to disposal, protect exposed terminals with heavy insulating tape to prevent shorting.

LITHIUM-ION BATTERIES

If equipped with a lithium-ion battery, the battery must be collected, recycled or disposed of in an environmentally sound manner.

Safety Rules for Charging



“The EPA certified RBRC Battery Recycling Seal on the lithium-ion (Li-ion) battery indicates Robert Bosch Tool Corporation is voluntarily participating in an industry program to collect and recycle these batteries at the end of their useful life, when taken out of service in the United States or Canada. The RBRC program provides a convenient alternative to placing used Li-ion batteries into the trash or the municipal waste stream, which may be illegal in your area.

Please call 1-800-8-BATTERY for information on Li-ion battery recycling and disposal bans/restrictions in your area, or return your batteries to a Bosch/Dremel Service Center for recycling. Robert Bosch Tool

Corporation’s involvement in this program is part of our commitment to preserving our environment and conserving our natural resources.”

⚠ WARNING Do not open the tool or attempt to remove battery from your tool. Dispose of tool through your local waste removal authority or a Bosch/Dremel Service Center.

The battery must be removed from the glue pen before it is scrapped.

The glue pen must be disconnected from the supply mains when removing the battery.

The battery is to be disposed of safely.

FCC Caution

The manufacturer is not responsible for radio interference caused by unauthorized modifications to this equipment. Such modifications could void the user’s authority to operate the equipment.

This device complies with Part 15 of the FCC Rules. Operation is subject to the following two conditions:

- 1) This device may not cause harmful interference, and
- 2) This device must accept any interference received, including interference that may cause undesired operation.

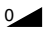









NOTE! This equipment has been tested and found to comply with the limits for a Class B digital devices, pursuant to Part 15 of the FCC rules. These limits are designed to provide reasonable protection against harmful interference in a residential installation. This equipment generates, uses and can radiate radio frequency energy and,

if not installed and used in accordance with the instructions, may cause harmful interference to radio communications. However, there is no guarantee that interference will not occur in a particular installation. If this equipment does cause harmful interference to radio or television reception, which can be determined by turning the equipment off and on, the user is encouraged to try to correct the interference by one or more of the following measures:

- Reorient or relocate the receiving antenna.
- Increase the separation between the equipment and receiver.
- Connect the equipment into an outlet on a circuit different from that to which the receiver is connected.
- Consult the dealer or an experienced radio/TV technician for help.

Symbols

Important: Some of the following symbols may be used on your tool. Please study them and learn their meaning. Proper interpretation of these symbols will allow you to operate the tool better and safer.

Symbol	Designation / Explanation
V	Volts (voltage)
A	Amperes (current)
Hz	Hertz (frequency, cycles per second)
∅	Diameter (size of drill bits, grinding wheels, etc.)
n_0	No load speed (rotational speed at no load)
.../min	Revolutions or reciprocation per minute (revolutions, strokes, surface speed, orbits etc. per minute)
0	Off position (zero speed, zero torque...)
1, 2, 3, ... I, II, III,	Selector settings (speed, torque or position settings. Higher number means greater speed)
	Infinitely variable selector with off (speed is increasing from 0 setting)
	Arrow (action in the direction of arrow)
	Alternating current (type or a characteristic of current)
	Direct current (type or a characteristic of current)
	Class II construction (designates double insulated construction tools)
	Alerts user to read manual
	Alerts user to wear eye protection
	This symbol designates that this tool is listed by Underwriters Laboratories, to Canadian Standards.
	This symbol designates that this tool is listed by Underwriters Laboratories, to United States and Canadian Standards.
	This symbol designates that this tool is listed by the Canadian Standards Association, to United States and Canadian Standards.

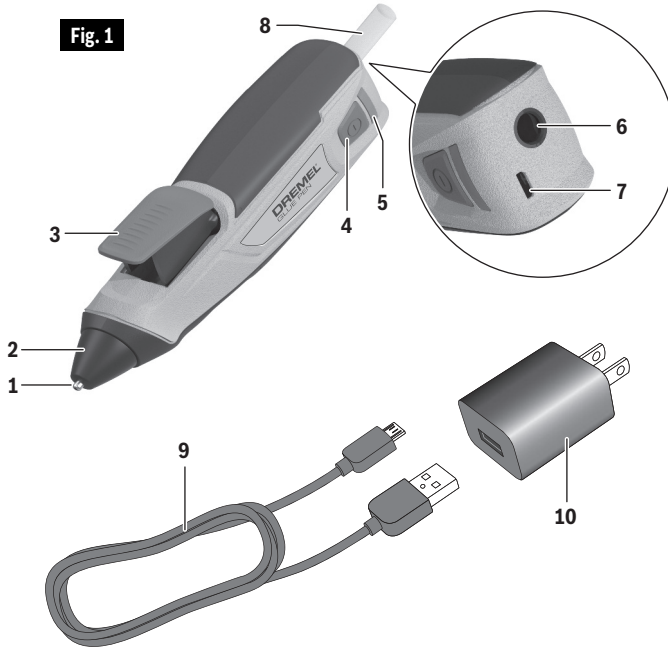
Functional Description and Specifications



Battery tools are always in an operative condition. Be aware of the possible hazards.

SAVE THESE INSTRUCTIONS

Dremel HSGP-01 Glue Pen



Cordless Glue Pen

Model numberHSGP-01
 Voltage rating3.6V / 4V Max
 Heat-up timeapprox. 15 s
 Gluing temperatureapprox. 338 °F (170 °C)
 Glue stick diameter0.28" (7 mm)
 Allowed ambient temperature
 – during charging41...104 °F (+5...+40 °C)
 – during operation/storage . . .41...113 °F (+5...+45 °C)

Power Adapter

Model number510
 Voltage rating (input)120V 60 Hz
 Amperage rating (output)1A

Battery

ChemistryLi-ion
 Capacity1.5 Ah
 Charge timeapprox. 3–4 Hrs.
 Operating timeapprox. 30 min

- 1 Nozzle
- 2 Silicone cap
- 3 Feed trigger
- 4 On/Off button
- 5 LED indicator
- 6 Glue stick opening
- 7 Micro USB port
- 8 Glue stick
- 9 USB cable
- 10 Power adapter

Charging the Tool

⚠ WARNING Charge Dremel HSGP-01 Glue Pen with a USB cable provided by Dremel.

Use of other USB cables may result in tool and property damage and personal injury.

Your Dremel HSGP-01 does not come completely charged from the factory. Be sure to charge tool prior to initial use.

- Insert USB cable **9** into USB port of power adapter **10** (Fig. 1).
- Plug power adapter **10** into standard power outlet.
- Plug micro USB plug into Micro USB port **7**.

The LED indicator **5** will blink green indicating that the battery is charging. When the charging process is complete, the LED indicator will be continuously lit green.

It is normal for the handle of the tool to get warm during charging.

Note: The tool cannot be used during the charging process.

When the battery is fully charged, disconnect the Micro USB end of the cable **9** from the tool.

Unplug the power adapter from the power outlet (unless you are charging another tool).

IMPORTANT CHARGING NOTES

- Lithium-ion battery will hold its charge while in storage for up to 2 years so it's always ready when you

need it.

- The power adapter was designed to fast charge the battery only when the battery temperature is between 41°F (5°C) and 104°F (40°C).
- A substantial drop in operating time per charge may mean that the battery pack is nearing the end of its life and should be replaced. To replace an old battery, contact Dremel customer service at 1-800-4-DREMEL. The Dremel Service Center can install a new battery and ship it back to you within 48 hours of receiving your tool.
- If battery does not charge properly:
 - a. Check for voltage at outlet by plugging in some other electrical device.
 - b. Check to see if outlet is connected to a light switch which turns power "off" when lights are turned off.
 - c. Check USB terminals for dirt. Clean with cotton swab and alcohol if necessary.
 - d. Check to see if USB cable is properly connected to the tool and the power adapter.
 - e. If you still do not get proper charging, send tool and power adapter to your Dremel Service Center.

Note: Use of power adapters or battery packs not sold by Dremel may void the warranty.

Operating Instructions

Preparing for gluing

The bonding locations must be clean, dry and free from grease.

The materials to be glued together and the work surface must not be easily ignited or flammable.

Test whether heat-sensitive materials are suitable beforehand on a sample workpiece.

The ambient temperature and the workpieces to be glued must not be colder than 41 °F (+5 °C) and not warmer than 122° F (+50 °C).

Materials that cool the adhesive down quickly should be warmed first with a hot air gun.

Operating Instructions

Switching On and Off

- Turn the glue pen on by pressing and holding the On/Off button **4** until the LED indicator **5** lights up green (Fig. 2).

The LED indicator will flash while the tool is warming up. When it is continuously lit up green, the glue pen is ready to use. If the LED indicator flashes red, battery capacity is lower than 30% and should be charged.

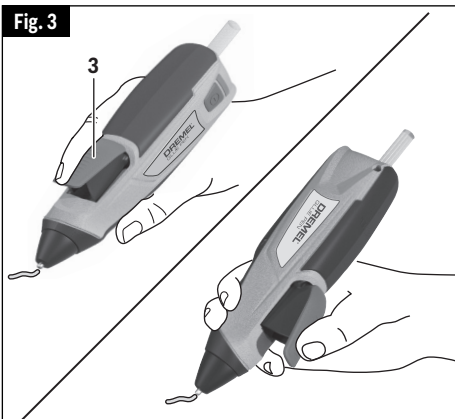
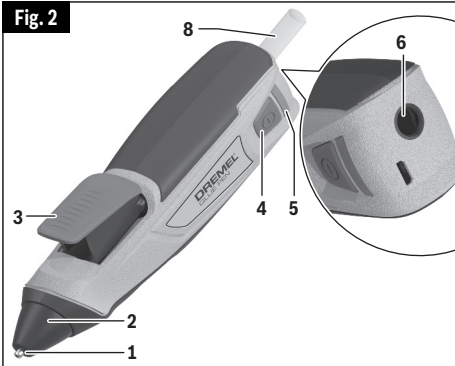
- To switch off the glue pen, press the On/Off button until the LED indicator turns off.

CAUTION Place the glue pen down in a safe place after use and let it cool down completely before packing it away. The hot nozzle can cause damage.

CAUTION The nozzle and glue will still be hot until the glue pen cools. Glue may leak from the nozzle.

Note: The glue pen will switch itself off automatically after ten minutes of inactivity to save energy.

When switching on again, check the LED indicator: If it briefly lights up red, the battery needs to be charged.



Gluing

- Insert the glue stick **8** in the glue stick opening **6**. Approximately 5" (12.5cm) in length of the glue stick will insert into the opening to engage the feeder. Hold the tool with the tip pointing down (Fig. 2). This will help the feeder grab the glue stick especially with glue sticks shorter than 5".
- After the glue pen heats up, apply moderate pressure to the feed trigger **3** (Fig. 3). Applying too much pressure to the feed trigger may result in unwanted or unexpected material flow.
- If the glue stick does not initially advance, apply slight pressure to the back of the glue stick to help engage the feeder. Do not stick any other objects besides glue sticks into the glue stick opening.
- The glue pen may have glue from a previous glue stick in the feeder.

After heating, press the feed trigger to help push out any unwanted glue. Inserting a new glue stick will help push out the previous glue from the glue pen.

- Apply the adhesive to a single side.
- Press the materials you wish to glue together against each other for around 10 to 30 seconds immediately after applying the adhesive. It is still possible to correct the bonding location at this point.

The bond is stable after approx. two minutes of cooling time.

Maintenance

⚠ WARNING To avoid accidents, always disconnect the tool and/or power adapter from the power supply before cleaning.

Service

⚠ WARNING NO USER SERVICE-ABLE PARTS INSIDE.

Preventive maintenance performed by unauthorized personnel may result in misplacing of internal wires and components which could cause serious hazard. We recommend that all tool service be performed by a Dremel Service Center. **SERVICEMEN:** Disconnect tool and/or power adapter from power source before servicing.

Batteries

Be alert for battery packs that are nearing their end of life. If you notice decreased tool performance or significantly shorter running time between charges then the battery

should be replaced. The battery may only be replaced at the Dremel Service Center, by a qualified service person. Failure to do so can cause the tool to operate improperly or damage the power adapter.

Cleaning

⚠ CAUTION Certain cleaning agents and solvents damage plastic parts. Some of these are: gasoline, carbon tetrachloride, chlorinated cleaning solvents, ammonia and household detergents that contain ammonia.

Ventilation openings and switch levers must be kept clean and free of foreign matter. Do not attempt to clean by inserting pointed objects through opening.

Extension Cords

⚠ WARNING If an extension cord is necessary, a cord with adequate size conductors that is capable of carrying the current necessary for your tool must be used. This will prevent excessive voltage drop, loss of power or overheating. Grounded tools must use 3-wire extension cords that have 3-prong plugs and receptacles.

NOTE: The smaller the gauge number, the heavier the cord.

RECOMMENDED SIZES OF EXTENSION CORDS 120 VOLT ALTERNATING CURRENT TOOLS

Tool's Ampere Rating	Cord Size in A.W.G.				Wire Sizes in mm ²			
	Cord Length in Feet				Cord Length in Meters			
	25	50	100	150	15	30	60	120
3-6	18	16	16	14	0.75	0.75	1.5	2.5
6-8	18	16	14	12	0.75	1.0	2.5	4.0
8-10	18	16	14	12	0.75	1.0	2.5	4.0
10-12	16	16	14	12	1.0	2.5	4.0	-
12-16	14	12	-	-	-	-	-	-

Dremel™ Limited Warranty

Your Dremel product is warranted against defective material or workmanship for a period of two years from date of purchase. In the event of a failure of a product to conform to this written warranty, please take the following action:

1. DO NOT return your product to the place of purchase.
2. Carefully package the product by itself, with no other items, and return it, freight prepaid, along with:
 - A. A copy of your dated proof of purchase (please keep a copy for yourself).
 - B. A written statement about the nature of the problem.
 - C. Your name, address and phone number to:

UNITED STATES

Robert Bosch Tool Corporation
Dremel Repairs 173 Lawrence
428 Dock #2
Walnut Ridge, AR 72476

OR

CANADA

Giles Tool Agency
47 Granger Av.
Scarborough, Ontario Canada
M1K 3K9 1-416-287-3000

OUTSIDE CONTINENTAL UNITED STATES CONTINENTAL UNITED STATES

See your local distributor or write to:

Dremel Repairs 173 Lawrence 428 Dock #2 Walnut Ridge, AR 72476

We recommend that the package be insured against loss or in transit damage for which we cannot be responsible.

This warranty applies only to the original registered purchaser. DAMAGE TO THE PRODUCT RESULTING FROM TAMPERING, ACCIDENT, ABUSE, NEGLIGENCE, UNAUTHORIZED REPAIRS OR ALTERATIONS, UNAPPROVED ATTACHMENTS OR OTHER CAUSES UNRELATED TO PROBLEMS WITH MATERIAL OR WORKMANSHIP ARE NOT COVERED BY THIS WARRANTY.

No employee, agent, dealer or other person is authorized to give any warranties on behalf of Dremel. If Dremel inspection shows that the problem was caused by problems with material or workmanship within the limitations of the warranty, Dremel will repair or replace the product free of charge and return product prepaid. Repairs made necessary by normal wear or abuse, or repair for product outside the warranty period, if they can be made, will be charged at regular factory prices.

DREMEL MAKES NO OTHER WARRANTY OF ANY KIND WHATEVER, EXPRESSED OR IMPLIED, AND ALL IMPLIED WARRANTIES OF MERCHANTABILITY AND FITNESS FOR A PARTICULAR PURPOSE WHICH EXCEED THE ABOVE MENTIONED OBLIGATION ARE HEREBY DISCLAIMED BY DREMEL AND EXCLUDED FROM THIS LIMITED WARRANTY.

This warranty gives you specific legal rights and you may also have other rights which vary from state to state. The obligation of the warrantor is solely to repair or replace the product. The warrantor is not liable for any incidental or consequential damages due to any such alleged defect. Some states do not allow the exclusion or limitation of incidental or consequential damages, so the above limitations or exclusion may not apply to you.





For prices and warranty fulfillment in the continental United States, contact your local Dremel distributor.

Exportado por: © Robert Bosch Tool Corporation Mt. Prospect, IL 60056-2230, E.U.A.

Importado a México por: Robert Bosch, S. de R.L. de C.V.
Calle Robert Bosch No. 405 - 50071 Toluca, Edo. de Méx. - México
Tel. 052 (722) 279 2300 ext 1160 / Fax. 052 (722) 216-6656

Symboles relatifs à la sécurité

Les définitions ci-dessous décrivent le niveau de gravité pour chaque terme signalant un danger. Veuillez lire le mode d'emploi et lire la signification de ces symboles.

	C'est le symbole d'alerte relatif à la sécurité. Il est utilisé pour vous avertir de l'existence possible d'un danger de lésion corporelle. Obéissez à tous les messages relatifs à la sécurité qui suivent ce symbole pour éviter tout risque de blessure ou même de mort.
	DANGER indique une situation dangereuse qui, si elle n'est pas évitée, causera la mort d'une personne ou une blessure grave.
	AVERTISSEMENT indique une situation dangereuse qui, si elle n'est pas évitée, pourrait causer la mort d'une personne ou une blessure grave.
	MISE EN GARDE indique une situation dangereuse qui, si elle n'est pas évitée, causera une blessure légère ou modérée.

Avertissements généraux concernant la sécurité des outils électroportatifs

AVERTISSEMENT Lisez toutes les consignes de sécurité, instructions, illustrations et spécifications fournies avec cet outil électrique.

Le non-respect de toutes les instructions figurant ci-après pourrait causer un choc électrique, un incendie et/ou des blessures graves.

CONSERVEZ TOUS LES AVERTISSEMENTS ET TOUTES LES CONSIGNES DE SÉCURITÉ POUR RÉFÉRENCE FUTURE.

Le terme « outil électrique » ou « outil » dans le texte des avertissements ou des instructions fait référence au stylo à colle alimenté par une pile (sans fil).

AVERTISSEMENT La colle fondue brûlera la peau ; la température de fonctionnement de la buse est de 170° C / 338° F. Ne touchez pas la zone de la buse ou de la colle fondue. En cas de contact accidentel, ne retirez pas la colle. Trempez immédiatement la zone brûlée dans de l'eau froide. Portez toujours des vêtements de protection, des lunettes de sécurité, des gants, une chemise à manches longues et un pantalon long. Gardez hors de la portée des enfants. Gardez à distance des articles inflammables. Il n'y a aucun composant pouvant être réparé par l'utilisateur à l'intérieur. Le fabricant n'assume aucune responsabilité pour les dommages indirects ou secondaires résultant de l'utilisation de ce produit.

AVERTISSEMENT Ne tentez pas de faire fondre des crayons de couleurs ou des bougies. N'utilisez aucun matériau autre que des bâtonnets de colle recommandés. L'utilisation de tout autre matériau risquerait de causer des dommages permanents au crayon à colle.

N'utilisez pas de colle fondue à chaud pour remplacer des attaches structurelles. L'adhésif utilisé avec ce pistolet à colle commencera à se ramollir à 60° C / 140° F. N'utilisez pas la colle sur des objets qui seront soumis à des températures de 60° C / 140° F ou plus.

Évitez les décharges accidentelles. Ne touchez le bâtonnet de colle ou la gâchette que pour appliquer de la colle. Si vous introduisez ou poussez le bâtonnet de colle avec trop de force dans le stylo à colle chauffé, vous risquez de provoquer une expulsion inattendue de la colle chaude de la buse ou un reflux du tube d'entrée.

Ne tirez pas sur les bâtonnets de colle pour les faire sortir du stylo à colle. Le mécanisme d'alimentation pourrait être endommagé ou détérioré. Si vous désirez changer de type de colle, coupez l'extrémité qui dépasse et faites sortir le reste de la colle en le poussant avec le nouveau type de colle.

Ne rangez pas le stylo à colle à un endroit exposé à la lumière directe du soleil pendant des périodes prolongées.

Ne tentez jamais de refroidir artificiellement

Avertissements généraux concernant la sécurité des outils électroportatifs

le stylo à colle après l'emploi en en immergeant une partie quelconque dans de l'eau ou dans un autre liquide. Laissez seulement le stylo à colle refroidir à l'air ambiant. Laissez le stylo à colle refroidir avant de le ranger.

Ce stylo à colle ne contient aucun composant pouvant être réparé par son utilisateur.

N'incinerez pas ce stylo à colle, même s'il est gravement endommagé.

Ce stylo à colle n'est pas conçu pour une

utilisation par des personnes (y compris des enfants) ayant des capacités physiques, sensorielles ou mentales réduites, ou n'ayant pas une expérience et des connaissances suffisantes, sauf si elles ont reçu des instructions ou bénéficié d'une supervision appropriée par une personne responsable de leur sécurité en ce qui concerne l'utilisation du stylo à colle.

Les enfants doivent être supervisés pour assurer qu'ils ne jouent pas avec le stylo à colle.

Consignes de sécurité pour la charge

- a. **Ce manuel contient des instructions pour le modèle d'adaptateur de courant numéro 510.** Ne lui substituez aucun autre adaptateur de courant.
- b. **Avant d'utiliser l'adaptateur de courant, lisez toutes les instructions et toutes les mises en garde sur (1) l'adaptateur de courant et (2) le produit utilisant la pile.**
- c. **Chargez seulement Dremel HSGP-01.** D'autres types d'outils sans fil peuvent éclater, causant ainsi des blessures et des dommages.
- d. **Chargez l'outil à des températures supérieures à +41° F (5° C) et inférieures à +104° F (40° C). Rangez l'outil dans des endroits où la température ne dépassera pas 113 degrés F (45 degrés C).** Ceci est important pour éviter de graves dommages aux cellules des piles.
- e. **Ne rechargez pas l'outil dans un environnement humide ou mouillé. N'exposez pas l'adaptateur de courant à la pluie ou à la neige.** La pénétration d'eau dans l'adaptateur de courant risquerait de causer un choc électrique ou un incendie.
- f. **Il peut y avoir une fuite de pile dans des conditions extrêmes d'utilisation ou de température. Évitez tout contact avec la peau et les yeux.** Le liquide de pile est caustique et pourrait causer des brûlures chimiques aux tissus. Si le liquide vient en contact avec la peau, lavez rapidement à l'eau savonneuse. Si le liquide vient en contact avec les yeux, rincez-les à l'eau pendant au moins 10 minutes et sollicitez des soins médicaux.
- g. **Placez l'adaptateur de courant et le stylo à colle à une distance suffisante de**
- tout matériau inflammable lorsque vous rechargez le stylo à colle.** La moquette et les autres surfaces isolantes thermiques bloquent la circulation de l'air, ce qui peut provoquer une surchauffe de l'adaptateur de courant et de l'outil. Si vous voyez de la fumée ou constatez la fusion de l'adaptateur de courant ou de l'outil, débranchez immédiatement l'adaptateur de courant et n'utilisez pas l'outil ou l'adaptateur de courant. Contactez immédiatement le service à la clientèle.
- h. **Assurez-vous que le cordon est placé à un endroit où il ne sera pas piétiné, ou il ne fera trébucher personne et où il ne sera pas exposé par ailleurs à des dommages ou à des contraintes.** Une fiche et un cordon endommagés pourraient causer un choc électrique ou un incendie.
- i. **Débranchez l'adaptateur de courant en tirant sur la fiche et non sur le cordon. N'utilisez pas un chargeur dont le cordon ou la fiche est endommagé ; faites-les remplacer immédiatement.** Une fiche ou un cordon endommagé pourrait causer un choc électrique ou un incendie.
- j. **Ne démontez pas l'adaptateur de courant et ne l'utilisez pas s'il a reçu un impact violent, s'il est tombé ou s'il a été endommagé par ailleurs d'une quelconque autre façon.** Un réassemblage incorrect ou un endommagement pourrait causer un choc électrique ou un incendie.
- k. **Avant chaque utilisation, inspectez l'adaptateur de courant, le câble et la fiche. N'utilisez pas l'adaptateur de courant si vous détectez un dommage quelconque. N'ouvrez jamais**

Consignes de sécurité pour la charge

l'adaptateur de courant vous-même ; apportez-le dans un Centre de service usine de Dremel ou chez un réparateur compétent n'utilisant que des pièces de rechange d'origine. Un réassemblage incorrect pourrait causer un choc électrique ou un incendie.

- l. Débranchez l'outil de l'adaptateur de courant lorsque la pile de l'outil est totalement chargée.** Si l'outil reste branché dans l'adaptateur de courant pendant une période prolongée, ceci risquerait de l'abîmer et de provoquer un incendie.
- m. Débranchez l'adaptateur de courant de la prise de courant avant de le ranger, d'effectuer une opération de maintenance ou de réparation, ou de le nettoyer.** De telles mesures préventives en matière de sécurité réduisent le risque de choc électrique ou d'incendie.

Entretien des piles

- a. Lorsque les piles ne sont pas dans l'outil ou le chargeur, gardez-les à l'écart d'objets métalliques.** Ainsi, pour éviter un court-circuitage des bornes, **NE PLACEZ PAS** les piles dans la boîte à outils ou dans la poche avec des clous, des vis, des clés, etc. Ceci peut provoquer un incendie ou des blessures.
- b. NE METTEZ PAS LES PILES AU FEU ET NE LES EXPOSEZ PAS À UNE CHALEUR ÉLEVÉE.** Elles peuvent exploser.
- c. Une fuite des piles peut se produire dans des conditions extrêmes d'utilisation ou de température. Évitez tout contact avec les yeux et la peau.** Le liquide des piles est caustique et pourrait causer des brûlures chimiques des tissus. Si du liquide entre en contact avec la peau, lavez immédiatement avec de l'eau et du savon. Si du liquide entre en contact avec les yeux, rincez-les avec de l'eau pendant au moins 10 minutes et consultez un médecin.

Mise au rebut des piles

⚠ AVERTISSEMENT **N'essayez pas de démonter l'outil ou de retirer tout composant faisant saillie sur l'outil.** Avant la mise au rebut, protégez les bornes exposées à l'aide d'un ruban isolant épais pour prévenir le court-circuitage.

PILES LITHIUM-ION

Si le produit est équipé d'une pile lithium-ion, la pile doit être ramassée, recyclée ou mise au rebut d'une manière qui ne soit pas nocive pour l'environnement.



“Le sceau RBRC de recyclage des piles, homologué par l'EPA (Agence pour la protection de l'environnement des États-Unis), qui se trouve sur les piles au lithium-ion (Li-ion) indique que Robert Bosch Tool Corporation participe volontairement à un programme industriel de ramassage et de recyclage de ces piles au terme de leur vie utile, pourvu qu'elles soient mises hors service aux États-Unis ou au Canada. Le programme du RBRC offre une alternative pratique à la mise des piles au Li-ion usées au rebut ou au ramassage d'ordures municipal, ce qui pourrait être interdit dans votre région. Veuillez appeler le 1-800-8-BATTERY pour obtenir de plus amples renseignements sur le recyclage des piles au Li-ion et sur les restrictions ou interdictions de mise au rebut qui s'appliquent à votre région ou renvoyez vos piles à un Centre de Service Bosch/Dremel pour recyclage. La participation de Robert Bosch Tool Corporation à ce programme s'inscrit dans le contexte de notre engagement à préserver notre environnement et à conserver nos ressources naturelles.”

⚠ AVERTISSEMENT **N'ouvrez pas l'outil et ne tentez pas de retirer les piles de votre outil.** Mettez l'outil au rebut conformément aux instructions de votre autorité locale chargée de superviser la gestion des déchets ou contactez un centre de service à la clientèle de Bosch/Dremel.

La pile doit être retirée du stylo à colle avant sa mise au rebut.

Le stylo à colle doit être déconnecté de la source d'alimentation secteur avant d'en retirer la pile.

La pile doit être mise au rebut en toute sécurité.

Mise en garde de la FCC :

Le fabricant n'est pas responsable des perturbations radioélectriques causées par des modifications non autorisées de ce matériel. De telles modifications pourraient annuler le droit de l'utilisateur de se servir de ce matériel.

Cet appareil est conforme à la Partie 15 des Règles de la FCC. Son exploitation est sujette au respect de deux conditions :

- 1) Cet appareil ne risque pas de causer des interférences nuisibles ; et
- 2) Cet appareil doit accepter toutes les interférences reçues, y compris les interférences qui peuvent causer un fonctionnement indésirable.



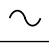
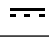
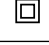





REMARQUE : ce matériel a été testé et il a été démontré qu'il respecte les limites fixées pour un appareil numérique de Classe B, conformément à la Partie 15 des Règles de la FCC. Ces limites sont conçues de manière à assurer une protection raisonnable contre les perturbations nuisibles dans une installation résidentielle. Ce matériel produit, utilise et peut rayonner de l'énergie de fréquence radioélectrique et, s'il n'est pas installé et utilisé

conformément aux instructions, il risque de causer des perturbations nuisibles aux communications radio. Cependant, il n'est pas possible de garantir qu'aucune perturbation ne résultera d'une installation particulière. Si ce matériel cause des perturbations radioélectriques nuisibles affectant la réception de la radio ou de la télévision – ce qui peut être déterminé en mettant ce matériel sous tension et hors tension – l'utilisateur devrait essayer de remédier à de telles perturbations en prenant une ou plusieurs des mesures suivantes :

- Changer l'orientation de l'antenne de réception ou la placer à un autre endroit.
- Augmenter la distance entre le matériel et le récepteur.
- Brancher le matériel dans une prise de courant faisant partie d'un circuit différent de celui auquel le récepteur est connecté.
- Consulter le revendeur ou un technicien radio/télévision expérimenté pour obtenir de l'aide.

Symboles

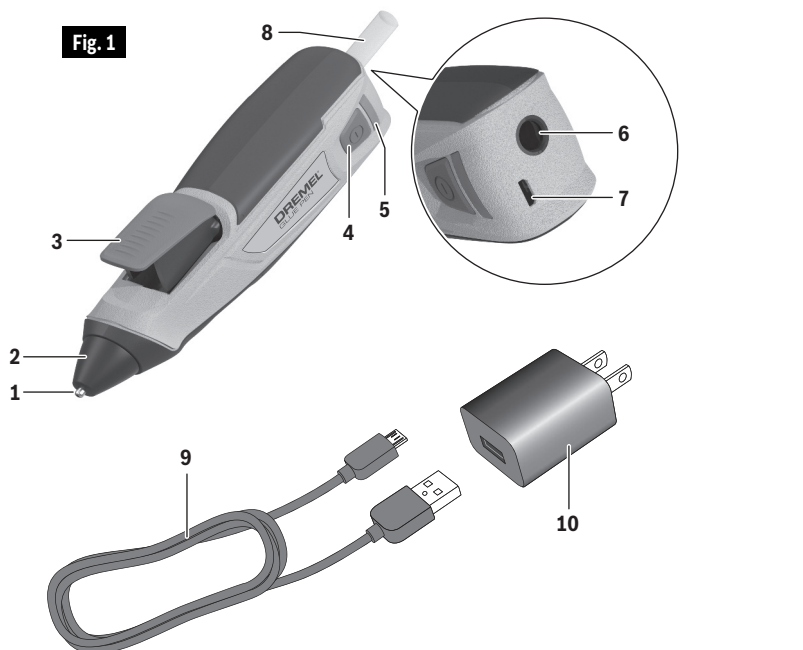
Important : Certains des symboles suivants peuvent être utilisés sur votre outil. Veuillez les étudier et apprendre leur signification. Une interprétation appropriée de ces symboles vous permettra d'utiliser l'outil de façon plus efficace et plus sûre.

Symbole	Désignation / Explication
V	Volts (tension)
A	Ampères (courant)
Hz	Hertz (fréquence, cycles par seconde)
∅	Diamètre (taille des mèches de perceuse, meules, etc.)
n_0	Vitesse à vide (vitesse de rotation, à vide)
.../min	Tours ou mouvement alternatif par minute (tours, coups, vitesse en surface, orbites, etc., par minute)
0	Position d'arrêt (vitesse zéro, couple zéro ...)
1, 2, 3, ... I, II, III,	Réglages du sélecteur (Réglages de vitesse, de couple ou de position. Un nombre plus élevé signifie une vitesse plus grande)
	Sélecteur variable à l'infini avec arrêt (La vitesse augmente depuis le réglage 0)
	Flèche (action dans la direction de la flèche)
	Courant alternatif (type ou caractéristique du courant)
	Courant continu (type ou caractéristique du courant)
	Construction classe II (désigne des outils construits avec double isolation)
	Alerte l'utilisateur pour lire le mode d'emploi
	Alerte l'utilisateur pour porter des lunettes de sécurité
	Ce symbole signifie que cet outil est approuvé par Underwriters Laboratories selon les normes du Canada.
	Ce symbole signifie que cet outil est approuvé par Underwriters Laboratories selon les normes des États-Unis et du Canada.
	Ce symbole signifie que cet outil est approuvé par l'Association canadienne de normalisation selon les normes des États-Unis et du Canada.

Description fonctionnelle et spécifications

AVERTISSEMENT Les outils à piles sont toujours en état de marche. Soyez conscient des dangers éventuels.
CONSERVEZ CES INSTRUCTIONS

Stylo à colle Dremel HSGP-01



Stylo à colle sans fil

Numéro de modèleHSGP-01
 Tension nominale3,6V / 4V --- Max
 Temps pour chaufferenviron 15 s
 Température de collageenviron 170° C / 338° F
 Diamètre du bâtonnet de colle . .7 mm / 0,28 po.
 Température ambiante autorisée
 – pendant la charge41...104 °F (+5...+40 °C)
 – pendant le fonctionnement /
 le stockage41...113 °F (+5...+45 °C)

Adaptateur de courant

Numéro de modèle510
 Tension nominale (entrée)120V \sim 60 Hz
 Intensité nominale (sortie)1A

Pile

Propriétés chimiquesLi-Ion
 Capacité1,5Ah
 Temps de chargeapprox. 3–4 Hr.

- 1** Buse
- 2** Capuchon en silicone
- 3** Gâchette d'alimentation
- 4** Bouton de marche/arrêt
- 5** Voyant à DEL
- 6** Ouverture du bâtonnet de colle
- 7** Port du micro USB
- 8** Bâtonnet de colle
- 9** Câble USB
- 10** Adaptateur de courant

Charge de l'outil

⚠ AVERTISSEMENT Chargez le stylo à colle Dremel HSGP-01 avec un câble USB fourni par Dremel. L'utilisation d'autres câbles USB peut causer des dommages aux outils et aux biens ainsi que des blessures corporelles.

Votre Dremel HSGP-01 n'est pas livré complètement chargé à l'usine. N'oubliez pas de charger l'outil avant sa première utilisation.

- Insérez le câble USB **9** dans le port USB de l'adaptateur de courant **10** (Fig. 1).
- Branchez l'adaptateur de courant **10** dans une prise de courant standard.
- Branchez la fiche du micro USB dans le port du Micro USB **7**.

Le voyant à DEL **5** clignotera en vert pour indiquer que la pile est en train de charger. À l'issue du processus de charge, le voyant à DEL restera allumé en vert, mais de façon continue.

Il est normal que le manche de l'outil devienne chaud pendant la charge.

Remarque : L'outil ne peut pas être utilisé pendant le processus de charge.

Lorsque la pile est complètement chargée, déconnectez l'extrémité micro USB du câble **9** de l'outil.

Débranchez l'adaptateur de courant de la prise de courant (sauf si vous chargez également un autre outil).

REMARQUES IMPORTANTES CONCERNANT LA CHARGE

- Le bloc-piles au lithium-ion restera chargé pendant une durée pouvant atteindre deux ans s'il n'est pas utilisé. Il sera donc toujours prêt à l'emploi quand vous en aurez besoin.
- Vous pouvez placer l'outil sur le chargeur et le recharger n'importe quand sans réduire la capacité de charge initiale en usine.
- La station d'accueil a été conçue pour servir d'endroit où ranger votre outil pendant que vous travaillez sur vos projets. Placez simplement l'outil sur le chargeur quand vous ne l'utilisez pas pour un projet et le bloc-piles sera continuellement rechargé de façon à pouvoir fonctionner plus longtemps pour vous.

- L'adaptateur de courant est conçu pour charger rapidement la pile lorsque la température de la pile se situe entre 5° C / 45° F et 40° C / 104° F seulement.
- Une diminution marquée de la réserve énergétique entre les charges peut signaler l'épuisement du bloc-piles et le besoin d'un remplacement. Pour remplacer un bloc-piles usagé, contactez le service clientèle de Dremel au 1-800-4-DREMEL. Le centre de service-usine de Dremel peut installer un nouveau bloc-piles et vous le renvoyer dans les 48 heures suivant sa réception de votre outil.
- Si le bloc-piles ne se charge pas normalement :
 - a. Vérifiez la présence de courant à la prise en y branchant un autre appareil électrique.
 - b. Vérifiez si la prise n'est pas raccordée conjointement à un interrupteur qui servirait à éteindre les lumières.
 - c. Inspectez les bornes USB pour vous assurer qu'elles ne sont pas sales. Nettoyez avec un coton-tige et de l'alcool si nécessaire.
 - d. Vérifiez pour vous assurer que le câble USB est correctement connecté à l'outil et à l'adaptateur de courant.
 - e. Si vous ne parvenez toujours pas à charger correctement l'outil, renvoyez l'outil et l'adaptateur de courant à votre centre de service après-vente Dremel.

Remarque : L'utilisation d'adaptateurs de courant ou de blocs-piles qui ne sont pas vendus par Dremel pourrait annuler la garantie.

Consignes de fonctionnement

Préparation pour le collage

Les endroits où la colle va être appliquée doivent être propres et secs, et ils ne doivent pas être couverts de graisse.

Les matériaux à coller ensemble et la surface de travail ne doivent pas être inflammables ou faciles à enflammer.

Testez à l'avance sur un morceau d'ouvrage les matériaux sensibles à la chaleur pour déterminer s'ils sont appropriés.

La température ambiante et la température des ouvrages à coller ne doivent pas être inférieures à +5° C / 41° F ou supérieures à +50° C / 122° F.

Les matériaux qui refroidissent rapidement l'adhésif doivent être chauffés initialement avec un pistolet à air chaud.

Mise en marche / à l'arrêt

- Mettez le stylo à colle en marche en appuyant sur le bouton de marche/arrêt **4** et en le maintenant enfoncé jusqu'à ce que le voyant à DEL **5** s'allume en vert (Fig. 2).

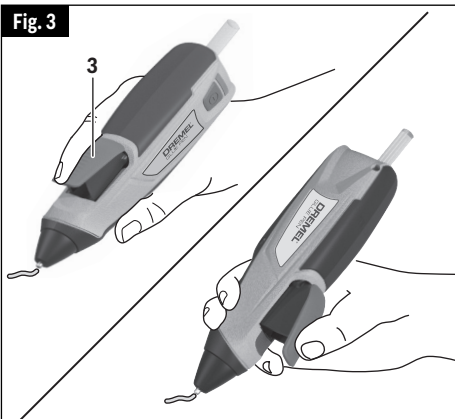
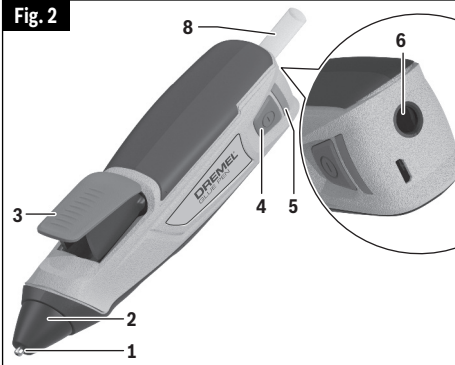
Le voyant à DEL clignotera pendant que l'outil chauffera. Quand il sera continuellement allumé en vert, le stylo à colle sera prêt à être utilisé. Si le voyant à DEL clignote en rouge, cela signifie que la capacité de charge de la pile est inférieure à 30 % et qu'il faut continuer à la charger.

- Pour mettre le stylo à colle hors tension, appuyez sur le bouton de marche/arrêt jusqu'à ce que le voyant à DEL s'éteigne.

⚠ MISE EN GARDE Placez le pistolet à colle à un endroit sûr après avoir fini de l'utiliser et laissez-le refroidir complètement avant de le ranger. La buse très chaude peut causer des dommages.

⚠ MISE EN GARDE La buse et la colle resteront très chauds en attendant que le stylo à colle refroidisse. Il peut y avoir une fuite de colle provenant de la buse.

Remarque : Le stylo à colle se mettra automatiquement hors tension au bout de dix minutes d'inactivité afin de



conserver l'énergie.

Lors de la remise sous tension, vérifiez le voyant à DEL : S'il s'allume brièvement en rouge, cela signifie que la pile doit être rechargée.

Collage

- Insérez le bâtonnet de colle **8** dans l'ouverture prévue pour le bâtonnet de colle **6**. Une longueur d'environ 12,5 cm / 5 po du bâtonnet de colle pourra être insérée dans l'ouverture en vue d'application par le stylo à colle. Tenez l'outil de façon que la pointe soit orientée vers le bas (Fig. 2). Ceci aidera le mécanisme d'alimentation du stylo à saisir le bâtonnet de colle, tout particulièrement pour les bâtonnets de colle de moins de 12,5 cm / 5 po de long.
- Après que le stylo à colle aura suffisamment chauffé, appliquez une

Consignes de fonctionnement

pression modérée sur la gâchette d'alimentation **3** (Fig. 3). L'application d'une pression excessive sur la gâchette d'alimentation risque de causer une projection indésirable ou inattendue de colle sur le matériau.

- Si le bâtonnet de colle n'avance pas initialement, exercez une légère pression sur l'arrière du bâtonnet de collet pour aider à engager le mécanisme d'alimentation. Ne placez aucun objet autre qu'un bâtonnet de colle dans l'ouverture prévue pour le bâtonnet de colle.
- Il se peut que le stylo à colle contienne encore de la colle provenant d'un bâtonnet de colle ayant été placé dans le stylo

précédemment. Après que l'outil aura chauffé suffisamment, appuyez sur la gâchette d'alimentation pour aider à éjecter toute colle indésirable. L'insertion d'un nouveau bâtonnet de colle aidera à éjecter du stylo à colle la colle qui s'y trouvait encore.

- Appliquez l'adhésif d'un seul côté.
- Poussez l'un contre l'autre les matériaux que vous voulez coller immédiatement après avoir appliqué l'adhésif et faites pression pendant entre 10 et 30 secondes environ. Il est encore possible de modifier l'emplacement du collage à ce stade.

L'adhérence sera stable au bout d'environ deux minutes de refroidissement.

Entretien

⚠ AVERTISSEMENT Pour éviter les accidents, débranchez toujours l'outil et/ou l'adaptateur de courant de la source de courant avant de nettoyer.

Service

⚠ AVERTISSEMENT I L N'EXISTE À L'INTÉRIEUR AUCUNE PIÈCE SUSCEPTIBLE D'ÊTRE ENTRETENUE PAR L'UTILISATEUR. L'entretien préventif exécuté par des personnes non autorisés peut entraîner un positionnement erroné des composants et des fils internes, ce qui peut présenter de graves dangers. Nous recommandons de confier toute intervention d'entretien sur l'outil à un centre de service-usine Dremel. TECHNICIENS : Débranchez l'outil et/ou l'adaptateur de courant de la source de courant avant d'effectuer toute opération d'entretien.

Piles

Faire attention aux blocs-piles qui approchent la fin de leur vie. Si vous constatez une réduction de la performance de l'outil ou une diminution considérable de l'autonomie de fonctionnement entre deux charges, cela signifie que le moment est venu de

remplacer la pile. La pile ne peut être remplacée que dans un centre de service usine Dremel, par un réparateur qualifié. Sinon, l'outil risquerait de fonctionner de façon inappropriée ou l'adaptateur de courant risquerait d'être endommagé.

Nettoyage

⚠ MISE EN GARDE Certains agents de nettoyage et certains dissolvants abîment les pièces en plastique. Parmi ceux-ci se trouvent: l'essence, le tétrachlorure de carbone, les dissolvants de nettoyage chlorés, l'ammoniaque ainsi que les détergents domestiques qui en contiennent.

Les prises d'air et les leviers de commutation doivent être gardés propres et exempts de corps étrangers. Ne tentez pas de nettoyer en insérant des objets pointus à travers l'ouverture.

Cordons de rallonge

⚠ AVERTISSEMENT Si un cordon de rallonge s'avère nécessaire, vous devez utiliser un cordon avec conducteurs de dimension adéquate pouvant porter le courant nécessaire à votre outil. Ceci préviendra une chute excessive de tension, une perte de courant ou une surchauffe. Les outils mis à la terre doivent utiliser des cordons de rallonge trifilaires pourvus de fiches à trois broches ainsi que des prises à trois broches.

REMARQUE : Plus le calibre est petit, plus le fil est gros.

DIMENSIONS DE RALLONGES RECOMMANDÉES OUTILS 120 VOLTS COURANT ALTERNATIF

Intensité nominale de l'outil	Calibre A.W.G.				Calibre en mm ²			
	Longueur en pieds				Longueur en mètres			
	25	50	100	150	15	30	60	120
3-6	18	16	16	14	0.75	0.75	1.5	2.5
6-8	18	16	14	12	0.75	1.0	2.5	4.0
8-10	18	16	14	12	0.75	1.0	2.5	4.0
10-12	16	16	14	12	1.0	2.5	4.0	-
12-16	14	12	-	-	-	-	-	-

Garantie limitée de Dremel™

Votre produit Dremel est garanti contre les vices de matériau ou de façon pendant un délai de deux ans à compter de la date d'achat. Dans l'hypothèse où le produit ne se conformerait pas à cette garantie écrite, veuillez procéder de la façon suivante :

1. NE RAPPORTEZ PAS votre produit à l'endroit où vous l'avez acheté.
2. Emballez avec soin le produit seul, sans aucun autre article, et renvoyez-le, en port payé, accompagné :
 - A. d'une copie de votre justificatif d'achat daté (veuillez en garder une copie pour vous-même)
 - B. d'une déclaration écrite concernant la nature du problème
 - C. d'une indication de vos nom, adresse et numéro de téléphone, à l'adresse suivante :

ÉTATS-UNIS

Robert Bosch Tool
Corporation Dremel Repairs
173 Lawrence 428 Dock #2
Walnut Ridge, AR 72476

OU

CANADA

Giles Tool Agency
47 Granger Av.
Scarborough, Ontario Canada
M1K 3K9 1-416-287-3000

À L'EXTÉRIEUR DU TERRITOIRE CONTINENTAL DES ÉTATS-UNIS

Consultez votre distributeur local ou écrivez à Dremel :
Dremel Repairs 173 Lawrence 428 Dock #2 Walnut Ridge, AR 72476

Nous vous recommandons d'assurer le paquet contre la perte ou les dommages en cours de route dont nous ne pouvons assumer la responsabilité.

Cette garantie n'est offerte qu'à l'acheteur enregistré d'origine. LES DOMMAGES AU PRODUIT RÉSULTANT DE MANIPULATIONS ABUSIVES, D'ACCIDENTS, D'USAGES ABUSIFS, DE NÉGLIGENCE, DE RÉPARATIONS OU D'ALTÉRATIONS NON AUTORISÉES, D'UTILISATION D'ACCESSOIRES NON APPROUVÉS OU D'AUTRES CAUSES NON LIÉES AU MATÉRIAU OU À LA FAÇON NE SONT PAS COUVERTS PAR CETTE GARANTIE.

Aucun employé, mandataire, vendeur ou autre n'est autorisé à accorder des garanties au nom de Dremel. Si l'inspection effectuée par Dremel révèle que le problème a été causé par un problème de matériau ou de façon dans les limites de la garantie, Dremel réparera ou remplacera le produit gratuitement et renverra le produit en port payé. Si elles peuvent être effectuées, les réparations rendues nécessaires par l'usure normale ou un usage abusif, ou les réparations du produit une fois la période de garantie expirée, seront facturées aux tarifs réguliers de l'usine.

DREMEL N'ACCORDE AUCUNE AUTRE GARANTIE DE QUELQUE NATURE QUE CE SOIT, EXPLICITE OU IMPLICITE, ET TOUTES LES GARANTIES IMPLICITES DE COMMERCIALISATION ET D'APTITUDE À UN USAGE PARTICULIER EN PLUS DE L'OBLIGATION SUSVISÉE SONT REJETÉES PAR LES PRÉSENTES PAR DREMEL ET EXCLUES DE CETTE GARANTIE LIMITÉE.

Cette garantie vous accorde certains droits précis, et vous pouvez également avoir d'autres droits qui varient d'un endroit à un autre. L'obligation du garant se limite à réparer ou remplacer le produit. Le garant n'est responsable d'aucun dommage accessoire ou indirect attribuable à de telles défaillances alléguées. Certaines juridictions ne permettent pas l'exclusion ou la limitation des dommages accessoires ou indirects ; il se peut donc que les limitations ou l'exclusion qui précède ne s'appliquent pas à vous.





En ce qui concerne les prix et la façon de vous prévaloir de la garantie sur le territoire continental des États-Unis, mettez-vous en contact avec votre distributeur Dremel local.

Exportado por: © Robert Bosch Tool Corporation Mt. Prospect, IL 60056 -2230, E.U.A.

Importado a México por: Robert Bosch, S. de R.L. de C.V.
Calle Robert Bosch No. 405 - 50071 Toluca, Edo. de Méx. - México
Tel. 052 (722) 279 2300 ext 1160 / Fax. 052 (722) 216-6656

Símbolos de seguridad

Las definiciones que aparecen a continuación describen el nivel de gravedad de cada palabra de señal de seguridad. Por favor, lea el manual y preste atención a estos símbolos.

	<p>Éste es el símbolo de alerta de seguridad. Se utiliza para alertarle a usted de posibles peligros de lesiones corporales. Obedezca todos los mensajes de seguridad que sigan a este símbolo para evitar posibles lesiones o muerte.</p>
	<p>PELIGRO indica una situación peligrosa que, si no se evita, causará la muerte o lesiones graves.</p>
	<p>ADVERTENCIA indica una situación peligrosa que, si no se evita, podría causar la muerte o lesiones graves.</p>
	<p>PRECAUCIÓN indica una situación peligrosa que, si no se evita, podría causar lesiones leves o moderadas.</p>

Advertencias generales de seguridad para herramientas mecánicas

ADVERTENCIA Lea todas las advertencias de seguridad, instrucciones, ilustraciones y especificaciones suministradas con esta herramienta eléctrica. Si no se siguen todas las instrucciones que se indican a continuación, es posible que el resultado sea descargas eléctricas, incendio y/o lesiones graves.

GUARDE TODAS LAS ADVERTENCIAS E INSTRUCCIONES PARA REFERENCIA FUTURA

El término "herramienta eléctrica" o "herramienta" incluido en las advertencias o el texto de las instrucciones se refiere al lápiz encolador alimentado por baterías (inalámbrico).

ADVERTENCIA La cola derretida quemará la piel; la temperatura de funcionamiento de la boquilla es de 338 °F (170 °C). No toque la cola derretida ni el área de la boquilla. Si se produce un contacto accidental, no quite la cola. Ponga inmediatamente el área quemada en agua fría. Use siempre ropa protectora, anteojos de seguridad, guantes, camisa de manga larga y pantalones largos. Mantenga el producto fuera del alcance de los niños. Manténgalo alejado de materiales inflamables. En el interior no hay piezas reparables ni ajustables por el usuario. El fabricante no asume ninguna responsabilidad por daños emergentes o indirectos por el uso de este producto.

ADVERTENCIA No intente derretir crayones ni velas. No utilice ningún material que no sea las barras de cola recomendadas. El resultado podría ser daños permanentes al lápiz encolador.

No utilice cola derretida caliente para reemplazar sujetadores estructurales. El adhesivo utilizado con este lápiz encolador comenzará a ablandarse a 140 °F (60 °C). No utilice la cola en objetos que estarán

sometidos a temperaturas de 140 °F (60 °F) o superiores.

Evite la descarga accidental. No toque la barra de cola ni el gatillo, excepto para aplicar cola. Si se alimenta o se empuja la barra de cola con demasiada fuerza hacia el interior del lápiz encolador caliente, es posible que se cause una expulsión inesperada de cola caliente por la boquilla o que dicha cola fluya hacia atrás desde el tubo de entrada.

No jale las barras de cola para sacarlas del lápiz encolador. Es posible que el mecanismo de alimentación resulte dañado o afectado. Si desea cambiar los tipos de cola, corte el extremo que sobresalga y alimente el resto para que atraviese el lápiz encolador con el nuevo tipo de cola.

No almacene el lápiz encolador bajo luz solar directa durante períodos prolongados.

No intente nunca enfriar forzosamente el lápiz encolador después de utilizarlo sumergiendo cualquier parte del mismo en agua o cualquier otro líquido. Deje que el lápiz encolador se enfríe solo con aire. Deje que el lápiz encolador se enfríe antes de almacenarlo.

Advertencias generales de seguridad para herramientas mecánicas

Este lápiz encolador no contiene piezas reparables ni ajustables por el usuario.

No incinere este lápiz encolador incluso si está severamente dañado.

Este lápiz encolador no está diseñado para ser utilizado por personas (incluyendo niños) con capacidades físicas, sensoriales o mentales reducidas, o que carezcan de

experiencia y conocimientos, a menos que una persona responsable de su seguridad les haya dado supervisión o entrenamiento en relación con el uso del lápiz encolador.

Los niños deberán ser supervisados para asegurarse de que no jueguen con el lápiz encolador.

Normas de seguridad para cargar

- a. **Este manual contiene instrucciones para el adaptador de alimentación modelo 510.** No lo sustituya por ningún otro adaptador de alimentación.
- b. **Antes de utilizar el adaptador de alimentación, lea todas las instrucciones y marcas de precaución que se encuentran en (1) el adaptador de alimentación y (2) el producto que utiliza batería.**
- c. **Cargue solamente la Dremel HSGP-01.** Es posible que otros tipos de herramientas inalámbricas revienten y causen lesiones corporales y daños.
- d. **Cargue la herramienta a temperaturas superiores a +41 grados F (5 grados C) e inferiores a +104 grados F (40 grados C). Almacene la herramienta en ubicaciones donde las temperaturas no excedan 113 grados F (45 grados C).** Esto es importante para prevenir daños graves a las celdas de la batería.
- e. **No recargue la herramienta en un entorno húmedo o mojado. No exponga el adaptador de alimentación a la lluvia ni a la nieve.** La entrada de agua en el adaptador de alimentación puede causar descargas eléctricas o incendio.
- f. **Se puede producir un escape del líquido de las baterías bajo condiciones extremas de uso o de temperatura. Evite el contacto con la piel y los ojos.** El líquido de la batería es cáustico y podría causar quemaduras químicas en los tejidos. Si el líquido entra en contacto con la piel, lávela rápidamente con agua y jabón. Si el líquido entra en contacto con los ojos, enjuáguelos con agua durante un mínimo de 10 minutos y obtenga atención médica.
- g. **Coloque el adaptador de alimentación y el lápiz encolador alejados de materiales inflamables cuando recargue el lápiz encolador.** Las alfombras y otras superficies termoaislantes bloquean la circulación de aire adecuada, lo cual es posible que cause sobrecalentamiento del adaptador de alimentación y la herramienta. Si se observa humo o derretimiento del adaptador de alimentación o de la herramienta, desenchufe inmediatamente el adaptador de alimentación y no utilice ni la herramienta ni el adaptador de alimentación. Contacte inmediatamente a servicio al cliente.
- h. **Asegúrese de que el cable de alimentación esté ubicado de manera que no se pueda pisar ni tropezar en él, ni que pueda sufrir daños ni someterse a esfuerzo excesivo de alguna otra manera.** El enchufe y el cable de alimentación dañados pueden causar descargas eléctricas o incendio.
- i. **Desconecte el adaptador de alimentación jalando el enchufe en lugar de jalando el cable de alimentación. No utilice el adaptador de alimentación con el cable de alimentación o el enchufe dañado; haga que reemplacen el cable o el enchufe de inmediato.** Un enchufe o un cable de alimentación dañado puede causar descargas eléctricas o incendio.
- j. **No desensamble el adaptador de alimentación ni lo utilice si ha recibido un golpe fuerte, se ha caído o se ha dañado de alguna otra manera.** Un reensamblaje incorrecto o los daños pueden causar descargas eléctricas o incendio.
- k. **Antes de cada uso, compruebe el adaptador de alimentación, el cable y el enchufe. Si se detecta algún daño, no utilice el adaptador de alimentación. No abra nunca el adaptador de alimentación usted mismo, llévelo a un Centro de Servicio de Fábrica Dremel o a un técnico de servicio calificado que utilice únicamente piezas de repuesto**

Normas de seguridad para cargar

originales. Un reensamblaje incorrecto puede causar descargas eléctricas o incendio.

- l. Desenchufe la herramienta del adaptador de alimentación cuando la batería de la herramienta esté completamente cargada.** Si la herramienta se deja enchufada en el adaptador de alimentación durante un largo período de tiempo, el resultado podría ser daños a la herramienta e incendio.
- m. Desenchufe el adaptador de alimentación del tomacorriente antes de almacenarlo, intentar cualquier mantenimiento o limpiarlo.** Dichas medidas preventivas de seguridad reducen el riesgo de descargas eléctricas o incendio.

Cuidado de las baterías

- a. Cuando las baterías no están en la herramienta o en el cargador, manténgalas alejadas de objetos metálicos.** Por ejemplo, para evitar que los terminales hagan cortocircuito, NO ponga las baterías en una caja de herramientas o en un bolsillo con clavos, tornillos, llaves, etc. Se puede producir un incendio o lesiones.
- b. NO ARROJE LAS BATERIAS AL FUEGO NI LAS EXPONGA AL CALOR INTENSO.** Pueden explotar.
- c. Es posible que ocurra alguna fuga de la batería en casos de uso extremo o en condiciones de temperatura extremas. Evite el contacto con la piel y los ojos.** El líquido de la batería es caustico y podría causar quemaduras químicas en los tejidos. Si el líquido entra en contacto con la piel, lávela rápidamente con agua y jabón. Si el líquido entra en contacto con los ojos, enjuáguelos con agua durante un mínimo de 10 minutos y obtenga atención médica.

Eliminación de las baterías

⚠ ADVERTENCIA No intente desmontar la herramienta ni retirar ningún componente que sobresalga de la misma. Se pueden producir lesiones o un incendio. Antes de tirarla, proteja las terminales que están al descubierto con cinta adhesiva aislante gruesa para

prevenir cortocircuitos.

BATERIAS DE IONES DE LITIO

Si este producto está equipado con una batería de iones de litio, dicha batería debe recogerse, reciclarse o eliminarse de manera segura para el medio ambiente.



“El sello de reciclaje de baterías RBRC certificado por la EPA que se encuentra en la batería de iones de litio (Li-ion) indica que Robert Bosch

Tool Corporation está participando voluntariamente en un programa de la industria para recoger y reciclar estas baterías al final de su vida útil, cuando se retiran de servicio en los Estados Unidos y Canadá. El programa RBRC proporciona una alternativa conveniente a tirar las baterías de Li-ion usadas a la basura o a la corriente municipal de aguas residuales, lo cual quizás sea ilegal en su área.

Tenga la amabilidad de llamar al 1-800-8-BATTERY para obtener información acerca de las prohibiciones/restricciones sobre el reciclaje y la eliminación de baterías de Li-ion en su lugar o devuelva las baterías a un Centro de servicio Bosch/Dremel para reciclarlas. La participación de Robert Bosch Tool Corporation en este programa es parte de nuestro compromiso hacia preservar nuestro medio ambiente y conservar nuestros recursos naturales.”

⚠ ADVERTENCIA No abra la herramienta ni intente retirar la batería de la herramienta. Deseche la herramienta a través de su autoridad local de eliminación de residuos o un Centro de Servicio Bosch/Dremel.

La batería se debe retirar del lápiz encolador antes de desecharla.

El lápiz encolador se debe desconectar de la red eléctrica cuando se retire la batería.

La batería se debe desechar de manera segura.

Aviso de precaución de la FCC:

El fabricante no es responsable de la radiointerferencia causada por las modificaciones no autorizadas que se realicen en este equipo. Dichas modificaciones podrían anular la autoridad del usuario para utilizar el equipo.

Este dispositivo cumple con la Parte 15 de las Reglas de la FCC. El funcionamiento está sujeto a las dos condiciones siguientes:

- 1) Este dispositivo no puede causar interferencias nocivas y
- 2) Este dispositivo debe aceptar cualquier interferencia recibida, incluyendo interferencia que pueda causar un funcionamiento no deseado.

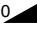









NOTA: Este equipo ha sido sometido a pruebas y se ha comprobado que cumple con los límites para un dispositivo digital de Clase B, conforme a la parte 15 de las Normas de la FCC. Estos límites están diseñados para proporcionar protección razonable contra la interferencia perjudicial en una instalación residencial. Este equipo

genera, usa y puede irradiar energía de radiofrecuencia y, si no se instala y utiliza de acuerdo con las instrucciones, puede causar interferencia perjudicial para las radiocomunicaciones. Sin embargo, no hay garantía de que no vaya a ocurrir interferencia en una instalación específica. Si este equipo causa interferencia perjudicial para la recepción de radio o televisión, lo cual se puede determinar apagando y encendiendo el equipo, se recomienda al usuario que intente corregir la interferencia tomando una o más de las medidas siguientes:

- Reoriente o reubique la antena receptora.
- Aumente la separación entre el equipo y el receptor.
- Conecte el equipo a un tomacorriente que esté en un circuito distinto al circuito al que el receptor esté conectado.
- Consulte al distribuidor o a un técnico experto en radio/TV para obtener ayuda.

Símbolos

Importante: Es posible que algunos de los símbolos siguientes se usen en su herramienta. Por favor, estúdielos y aprenda su significado. La interpretación adecuada de estos símbolos le permitirá utilizar la herramienta mejor y con más seguridad.

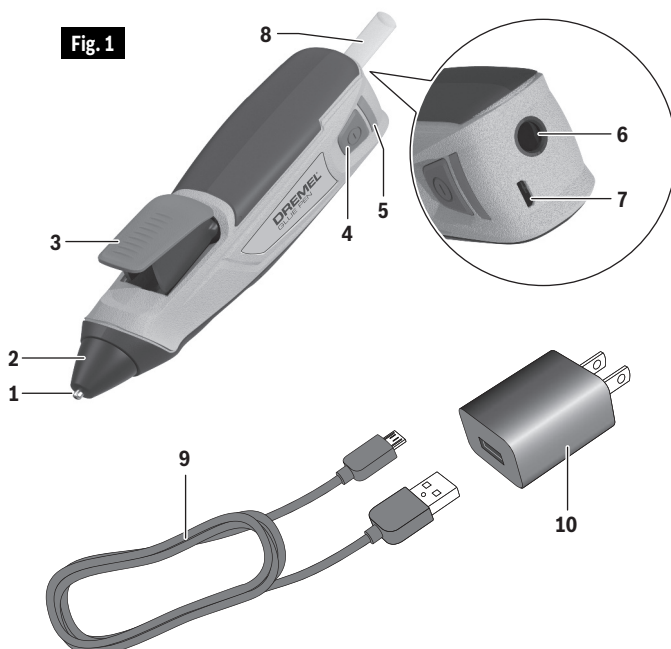
Símbolo	Désignación / Explicación
V	Volt (tensión)
A	Ampere (corriente)
Hz	Hertz (frecuencia, ciclos por segundo)
∅	Diámetro (tamaño de las brocas taladradoras, muelas, etc)
n_0	Velocidad sin carga (velocidad rotacional sin carga)
.../min	Revoluciones o alternación por minuto (revoluciones, golpes, velocidad de superficie, órbitas, etc., por minuto)
0	Posición "off" (velocidad cero, par motor cero...)
1, 2, 3, ... I, II, III,	Graduaciones del selector (graduaciones de velocidad, par motor o posición. Un número más alto significa mayor velocidad)
	Selector infinitamente variable con apagado (la velocidad aumenta desde la graduación de 0)
	Flecha (Acción en la dirección de la flecha)
	Corriente alterna (tipo o una característica de corriente)
	Corriente continua (tipo o una característica de corriente)
	Construcción de clase II (designa las herramientas de construcción con aislamiento doble)
	Alerta al usuario para que lea el manual.
	Alerta al usuario para que use protección de los ojos.
	Este símbolo indica que la Canadian Standards Association ha catalogado esta herramienta indicando que cumple con las normas canadienses.
	Este símbolo indica que la Canadian Standards Association ha catalogado esta herramienta indicando que cumple con las normas estadounidenses y canadienses.
	Este símbolo indica que la Canadian Standards Association ha catalogado esta herramienta indicando que cumple con las normas estadounidenses y canadienses.

Descripción funcional y especificaciones

ADVERTENCIA Las herramientas accionadas por baterías se encuentran siempre en condiciones de funcionamiento. Conozca los posibles peligros.

GUARDE ESTAS INSTRUCCIONES

Lápiz encolador Dremel HSGP-01



Lápiz encolador inalámbrico

Número de modeloHSGP-01
 Tensión nominal3,6V / 4V Max
 Tiempo de calentamientoaprox. 15 s
 Tiempo de calentamientoaprox. 338 °F (170 °C)
 Diámetro de la barra de cola0.28 pulg. (7 mm)
 Temperatura ambiente permitida
 – durante el proceso de carga . . .41...104 °F (+5...+40 °C)
 – durante la utilización /
 almacenamiento41...113 °F (+5...+45 °C)

Adaptador de alimentación

Número de modelo510
 Tensión nominal (entrada)120V ~ 60 Hz
 Amperaje nominal (salida)1A

Batería

QuímicaIon Li
 Capacidad1,5Ah
 Tiempo de cargaaprox. 3–4 Hr.
 Tiempo de funcionamientoaprox. 30 min

- 1** Boquilla
- 2** Tapa de silicona
- 3** Gatillo alimentador
- 4** Botón de encendido y apagado
- 5** Indicador LED
- 6** Abertura para la barra de cola
- 7** Puerto micro USB
- 8** Barra de cola
- 9** Cable USB
- 10** Adaptador de alimentación

Procedimiento de carga de la herramienta

⚠ ADVERTENCIA Cargue el lápiz encolador Dremel HSGP-01 con el cable USB suministrado por Dremel. Es posible que la utilización de otros cables USB cause daños a la herramienta y daños materiales, así como lesiones corporales.

La Dremel HSGP-01 no viene completamente cargada de la fábrica. Asegúrese de cargar la herramienta antes de su uso inicial.

- Inserte el cable USB **9** en el puerto USB del adaptador de alimentación **10** (Fig. 1).
- Enchufe el adaptador de alimentación **9** en un tomacorriente estándar.
- Inserte el enchufe micro USB en el puerto micro USB **7**.

El indicador LED **5** parpadeará en verde, lo cual indicará que la batería se está cargando. Cuando el proceso de carga se haya completado, el indicador LED se iluminará continuamente en verde.

Es normal que el mango de la herramienta se caliente durante el proceso de carga.

Nota: La herramienta no se puede utilizar durante el proceso de carga.

Cuando la herramienta esté completamente cargada, desconecte de la herramienta el extremo micro USB del cable **9**.

Desenchufe el adaptador de alimentación del tomacorriente (a menos que esté cargando otra herramienta).

NOTAS IMPORTANTES PARA CARGAR

- La batería de iones de litio conservará su carga mientras esté almacenada durante hasta 2 años, por lo que siempre está lista cuando usted la necesita.
- El adaptador de alimentación fue diseñado para cargar rápidamente la batería sólo cuando la temperatura de la batería esté entre 41 °F (5 °C) y 104 °F (40 °C).

- Un descenso considerable en el tiempo de funcionamiento por carga puede significar que el paquete de baterías se está acercando al final de su vida y que debe ser sustituido. Para reemplazar una batería vieja, póngase en contacto con servicio al cliente de Dremel llamando al 1-800-4-DREMEL. El Centro de Servicio Dremel puede instalar una batería nueva y enviarle de vuelta la herramienta dentro del plazo de las 48 horas siguientes a haber recibido su herramienta.
- Si la batería no carga adecuadamente:
 - a. Compruebe que hay tensión en el tomacorriente enchufando algún otro dispositivo eléctrico.
 - b. Compruebe si el tomacorriente está conectado a un interruptor de luz que corta el suministro de energía cuando se apagan las luces.
 - c. Compruebe si hay polvo en los terminales USB. Límpielos con un bastoncillo de algodón y alcohol si es necesario.
 - d. Compruebe si el cable USB está conectado adecuadamente a la herramienta y el adaptador de alimentación.
 - e. Si sigue sin lograr que el proceso de carga sea correcto, envíe la herramienta y el adaptador de alimentación a su Centro de Servicio Dremel.

Nota: El uso de adaptadores de alimentación o paquetes de batería no vendidos por Dremel podrá anular la garantía.

Instrucciones de funcionamiento

Preparación para encolar

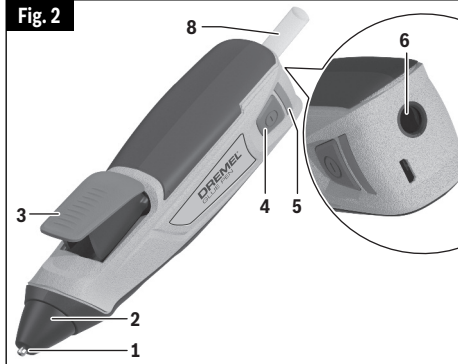
Las ubicaciones de adhesión deben estar limpias, secas y libres de grasa.

Los materiales que se vayan a encolar no deben ser fácilmente incendiables ni inflamables.

Compruebe si los materiales termosensibles son adecuados de con anticipación en una pieza de trabajo de muestra.

La temperatura ambiente y las piezas de trabajo que se vayan a encolar no deben estar por debajo de 41 °F (+5 °C) ni por encima de 122° F (+50 °C).

Los materiales que enfríen rápidamente el adhesivo se deberán calentar primero con una pistola de aire caliente.



Encendido y apagado

- Encienda el lápiz encolador presionando y manteniendo presionado el botón de encendido y apagado **4** hasta que el indicador LED **5** se ilumine en verde (Fig. 2).

El indicador LED parpadeará mientras la herramienta se esté calentado. Cuando esté iluminado continuamente en verde, el lápiz encolador estará listo para utilizarse. Si el indicador LED parpadea en verde, la capacidad de la batería es inferior al 30% y se deberá cargar.

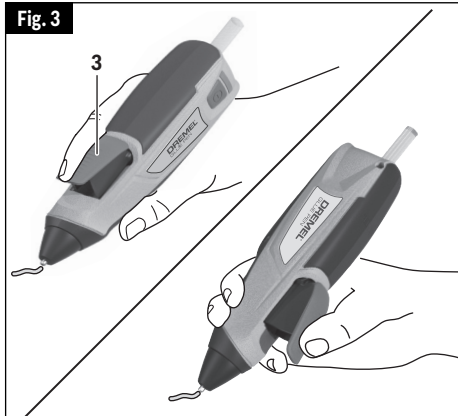
- Para apagar el lápiz encolador, presione el botón de encendido y apagado hasta que el indicador LED se apague.

⚠ CAUTION Deje el lápiz encolador en un lugar seguro después de utilizarlo y deje que se enfríe completamente antes de guardarlo. La boquilla caliente puede causar daños.

⚠ CAUTION La boquilla y la cola aún estarán calientes hasta que el lápiz encolador se enfríe. Es posible que escape cola por la boquilla.

Nota: El lápiz encolador se apagará a sí mismo automáticamente después de diez minutos de inactividad, para ahorrar energía.

Cuando encienda de nuevo el lápiz encolador, compruebe el indicador LED:



Si se ilumina brevemente en rojo, es necesario cargar la batería.

Encolado

- Inserte la barra de cola **8** en la abertura para la barra de cola **6**. Aproximadamente 5 pulgadas (12,5 cm) de longitud de la barra de cola se insertarán en la abertura para acoplar el alimentador. Sostenga la herramienta con la punta orientada hacia abajo (Fig. 2). Esto ayudará al alimentador a agarrar la barra de cola, especialmente con barras de cola que midan menos de 5 pulgadas.
- Después de que el lápiz de cola se caliente, aplique una presión moderada al gatillo alimentador **3** (Fig. 3). Si se aplica demasiada presión al gatillo alimentador, es posible que el resultado sea un flujo de material no deseado o inesperado.

Instrucciones de funcionamiento

- Si la barra de cola no avanza inicialmente, aplique una presión ligera a la parte trasera de la barra de cola para ayudar a acoplar el alimentador. No introduzca ningún otro objeto aparte de las barras de cola en la abertura para la barra de cola.
 - Es posible que el lápiz encolador tenga cola de una barra de cola que haya estado previamente en el alimentador. Después del calentamiento, presione el gatillo alimentador avance para ayudar a empujar hacia fuera toda la cola no deseada. La inserción de una barra de cola nueva ayudará a empujar hacia fuera del lápiz encolador la cola previa.
 - Aplique el adhesivo a un solo lado.
 - Presione los materiales que desee encolar juntos uno contra otro durante alrededor de 10 a 30 segundos inmediatamente después de aplicar el adhesivo. Todavía es posible corregir la ubicación de adhesión en este momento.
- La adhesión es estable después de aproximadamente dos minutos de tiempo de enfriamiento.

Mantenimiento

⚠ ADVERTENCIA Para evitar accidentes, desconecte siempre la herramienta y/o el adaptador de alimentación.

Servicio

⚠ ADVERTENCIA NO HAY PIEZAS EN EL INTERIOR QUE PUEDAN SER AJUSTADAS O REPARADAS POR EL USUARIO. El mantenimiento preventivo realizado por personal no autorizado puede dar lugar a la colocación incorrecta de cables y componentes internos que podría constituir un peligro serio. Recomendamos que todo el servicio de las herramientas sea realizado en un Centro de servicio de fábrica Dremel. TÉCNICOS DE REPARACIONES: Desconecten la herramienta y/o el adaptador de alimentación de la fuente de energía antes de realizar servicio de ajustes y reparaciones.

Baterías

Esté alerta a los paquetes de baterías que estén aproximándose al final de su vida útil. Si observa una disminución en el rendimiento de la herramienta o un

tiempo de funcionamiento significativamente más corto entre cargas, entonces se deberá reemplazar la batería. La batería solo se podrá reemplazar en el Centro de Servicio Dremel por un técnico de servicio calificado. Si no se hace así, el resultado puede ser que la herramienta funcione incorrectamente o que se dañe el adaptador de alimentación.

Limpieza

⚠ PRECAUCION Ciertos agentes de limpieza y disolventes dañan las piezas de plástico. Algunos de estos son: gasolina, tetracloruro de carbono, disolventes de limpieza clorados, amoníaco y detergentes domésticos que contienen amoníaco.

Las aberturas de ventilación y las palancas de interruptor deben mantenerse limpias y libres de materias extrañas. No intente limpiar introduciendo objetos puntiagudos a través de las aberturas.

Cordones de extensión

⚠ ADVERTENCIA Si es necesario un cordón de extensión, se debe usar un cordón con conductores de tamaño adecuado que sea capaz de transportar la corriente necesaria para la herramienta. Esto evitará caídas de tensión excesivas, pérdida de potencia o recalentamiento. Las herramientas conectadas a tierra deben usar cordones de extensión de 3 hilos que tengan enchufes de 3 terminales y receptáculos para 3 terminales.

NOTA: Cuanto más pequeño es el número de calibre, más grueso es el cordón.

TAMAÑOS RECOMENDADOS DE CORDONES DE EXTENSION HERRAMIENTAS DE 120 V CORRIENTE ALTERNA

Capacidad nominal en amperes de la herramienta	Tamaño del cordón en A.W.G.				Tamaños del cable en mm ²							
	Longitud del cordón en pies								Longitud del cordón en metros			
	25	50	100	150	15	30	60	120				
3-6	18	16	16	14	0.75	0.75	1.5	2.5				
6-8	18	16	14	12	0.75	1.0	2.5	4.0				
8-10	18	16	14	12	0.75	1.0	2.5	4.0				
10-12	16	16	14	12	1.0	2.5	4.0	-				
12-16	14	12	-	-	-	-	-	-				

Garantía limitada de Dremel™

Su producto Dremel está garantizado contra defectos de material o de fabricación durante un período de dos años a partir de la fecha de compra. En caso de que un producto no se ajuste a esta garantía escrita, por favor, tome las medidas siguientes:

1. NO devuelva el producto al lugar de compra.
2. Empaque el producto cuidadosamente y solo, sin otros artículos, y envíelo con el porte pagado junto con:
 - A. Una copia de la prueba de compra fechada (por favor, conserve una copia para usted).
 - B. Una explicación por escrito de la naturaleza del problema.
 - C. Su nombre, dirección y número de teléfono a:

ESTADOS UNIDOS

Robert Bosch Tool
Corporation Dremel Repairs
173 Lawrence 428 Dock #2
Walnut Ridge, AR 72476

O

CANADÁ

Giles Tool Agency
47 Granger Av.
Scarborough, Ontario Canada
M1K 3K9 1-416-287-3000

FUERA DE LOS TERRITORIOS CONTINENTALES DE LOS EE.UU.

Vea al distribuidor local o escriba a:

Dremel Repairs 173 Lawrence 428 Dock #2 Walnut Ridge, AR 72476

Recomendamos que el paquete sea asegurado contra pérdida o daños durante el transporte por los cuales no podemos ser responsables.

Esta garantía tiene validez únicamente para el comprador original inscrito. LOS DAÑOS AL PRODUCTO PRODUCIDOS POR MANIPULACION INCORRECTA, ACCIDENTE, ABUSO, NEGLIGENCIA, REPARACIONES O ALTERACIONES NO AUTORIZADAS, ACCESORIOS NO APROBADOS U OTRAS CAUSAS NO RELACIONADAS CON PROBLEMAS DEL MATERIAL O LA FABRICACION NO ESTAN CUBIERTOS POR ESTA GARANTIA.

Ningún empleado, agente, distribuidor, ni ninguna otra persona está autorizado a dar ninguna garantía en nombre de Dremel. Si la inspección de Dremel demuestra que el problema fue causado por problemas con el material o la fabricación dentro de los límites de la garantía, Dremel reparará o reemplazará el producto gratuitamente y devolverá el producto con el porte pagado. Las reparaciones necesarias debido al desgaste normal o al abuso, o las reparaciones de productos que se encuentren fuera del período de garantía, en caso de que se puedan realizar, se cobrarán a precios de fábrica normales.

DREMEL NO DA NINGUNA OTRA GARANTIA DE NINGUN OTRO TIPO, EXPRESA O IMPLICITA, Y TODAS LAS GARANTIAS IMPLICITAS DE COMERCIABILIDAD E IDONEIDAD PARA UN PROPOSITO ESPECIFICO QUE EXCEDEN LA OBLIGACION MENCIONADA ANTERIORMENTE QUEDAN POR LA PRESENTE RECHAZADAS POR PARTE DE DREMEL Y ESTAN EXCLUIDAS DE ESTA GARANTIA LIMITADA.

Esta garantía le confiere a usted derechos legales específicos y es posible que usted también tenga otros derechos que varían de un estado a otro. La obligación del garante consiste únicamente en reparar o reemplazar el producto. El garante no es responsable de ningún daño incidental o emergente debido a cualquiera de dichos defectos alegados. Algunos estados no permiten la exclusión o limitación de los daños incidentales o emergentes, por lo que es posible que las limitaciones o la exclusión anteriores no sean aplicables en el caso de usted.

Para precios y cumplimiento de la garantía en los territorios continentales de los Estados Unidos, póngase en contacto con el distribuidor local Dremel.

Exportado por: © Robert Bosch Tool Corporation Mt. Prospect, IL 60056-2230, E.U.A.

Importado a México por: Robert Bosch, S. de R.L. de C.V.
Calle Robert Bosch No. 405 - 50071 Toluca, Edo. de Méx. - México
Tel. 052 (722) 279 2300 ext 1160 / Fax. 052 (722) 216-6656



1 6 0 5 A 0 0 0 E 8