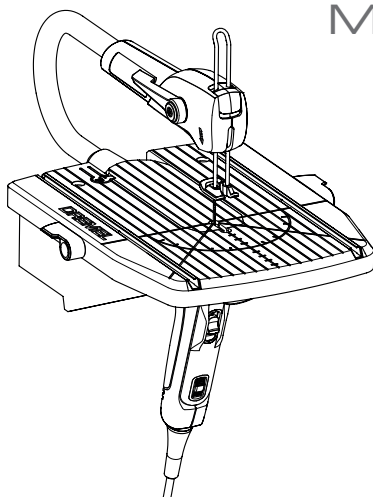


DREMEL® MS20

MOTO-SAW



GB	Original instructions	9	PL	Tłumaczenie oryginalnej instrukcji	55
DE	Übersetzung der originalbedienungsanleitung	12	BG	Превод на оригиналните инструкции	59
FR	Traduction de la notice originale	15	HU	Az eredeti előírások fordítása	63
IT	Traduzione delle istruzioni originali	19	RO	Traducere a instrucțiunilor originale	66
NL	Vertaling van de originele gebruiksaanwijzing	22	ET	Algsete juhiste tõlge	69
DA	Oversættelse af betjeningsvejledning	26	LT	Originalių instrukcijų vertimas	73
SV	Översättning av originalinstruktioner	29	SL	Prevod originalnih navodil	76
NO	Oversettelse av originalinstruksjonene	32	LV	Originālās lietošanas instrukcijas tulkojums	79
FI	Käännös alkuperäisistä ohjeista	35	HR	Prijevod originalnih uputa	82
ES	Traducción de las instrucciones originales	38	SR	Превод оригиналног упутства	85
PT	Tradução das instruções originais	42	MK	Употребени симболи	89
EL	Μεταφραση των πρωτοτυπων οδηγιων	45	SK	Preklad pôvodných pokynov	92
TR	Orijinal yönergelerin çevirisi	49	AR	ترجمة التعليمات الأصلية	97
CS	Překlad originálních pokynů	52			

EU

GB	EU Original declaration of conformity		We declare under our sole responsibility that the stated products comply with all applicable provisions of the directives and regulations listed below and are in conformity with the following standards. Technical file at:*
	Reciprocating saw	Article number	
DE	EU-Konformitätserklärung (Original)		Wir erklären in alleiniger Verantwortung, dass die aufgeführten Produkte allen Bestimmungen der unten genannten geltenden Richtlinien und Verordnungen sowie den folgenden Standards entsprechen. Technische Unterlagen erhalten Sie bei:*
	Stichsägen	Artikelnummer	
FR	Déclaration de conformité originale UE		Nous déclarons par la présente, sous notre propre responsabilité, que les produits désignés en conformité avec toutes les dispositions applicables des directives et réglementations répertoriées ci-dessous ainsi qu'avec les normes ci-après. Fiche technique disponible auprès de :*
	Scies sauteuses	Référence article	
IT	Dichiarazione di conformità originale UE		Dichiariamo sotto la nostra esclusiva responsabilità che i prodotti indicati sono conformi a tutte le clausole applicabili delle direttive e alle norme elencate di seguito e sono conformi ai seguenti standard. Documentazione tecnica presso:*
	Seghetti	Codice articolo	
NL	Oorspronkelijke EU-conformiteitsverklaring		Wij verklaren onder eigen verantwoordelijkheid dat de genoemde producten voldoen aan alle van toepassing zijnde bepalingen van de onderstaande richtlijnen en voorschriften en voldoen aan de volgende normen. Technisch dossier bij:*
	Figuurzagen	Artikelnummer	
DA	Original EU-overensstemmelseserklæring		Vi erklærer på eget ansvar, at de angivne produkter opfylder alle gældende bestemmelser i de direktiver og forordninger, der er anført nedenfor, og er i overensstemmelse med følgende standarder. Teknisk fil hos:*
	Dekupersave	Artikel nummer	
SV	EG-originalförsäkran om överensstämmelse		Vi deklarerar härmed att nämnda produkter uppfyller alla direktivens och bestämmelsers tillämpliga villkor som listas nedan och är i enlighet med följande standarder.
	Figuursågar	Artikelnummer	Teknisk fil på:*
NO	EU originale samsvarserklæring		Vi erklærer som eneansvarlig at de nevnte produktene er i samsvar med alle gjeldende bestemmelser i direktivene og forskriftene listet nedenfor og at de er i samsvar med følgende standarder. Teknisk fil finnes hos:*
	Løvsager	Artikkelnummer	
FI	EU-vaatimustenmukaisuusvakuutus		Vakuutamme omalla vastuullamme, että ilmoitetut tuotteet täyttävät kaikki seuraavien direktiivien ja säännösten sovellettavat vaatimukset ja että ne ovat seuraavien standardien mukaisia. Tekninen asiakirja osoitteessa:*
	Kuviosahojen	Tuotenumero	
ES	Declaración de conformidad original de la UE		Declaramos, bajo nuestra responsabilidad exclusiva, que los productos descritos cumplen con todas las disposiciones vigentes de las directivas y regulaciones enumeradas a continuación y están en conformidad con los estándares siguientes. Ficha técnica en:*
	Sierras de vaivén	Número de artículo	
PT	Declaração de conformidade UE original		Declaramos sob nossa exclusiva responsabilidade que os produtos mencionados cumprem todas as disposições das diretivas e dos regulamentos indicados e estão em conformidade com as seguintes normas. Documentação técnica pertencente à:*
	Serras tico-tico	Número do produto	
EL	Πρωτότυπη δήλωση συμμόρφωσης ΕΕ		Δηλώνουμε με αποκλειστική μας ευθύνη ότι τα αναφερόμενα προϊόντα ακολουθούν όλες τις σχετικές διατάξεις των παρακάτω αναφερόμενων οδηγιών και κανονισμών και συμμορφώνονται με τα ακόλουθα πρότυπα. Αρχείο τεχνικών δεδομένων σε:*
	Σεγες	Αριθμός προϊόντος	
TR	Orijinal uygunluk AB beyanı		Beirliten ürünlerin direktiflerin tüm geçerli hükümlerine uyumak bizim tamamen kendi sorumluluğumuzda ve düzenlemeler aşagıda listelenen ve aşagıdaki standartlara uygundur. Teknik dosya şuradadır:*
	Dekupaj	Madde numarası	
CS	Původní EU prohlášení o shodě		Prohlašujeme na svou výhradní odpovědnost, že uvedené výrobky splňují všechna příslušná ustanovení níže uvedených směrnice a nařízení a jsou v souladu s následujícími normami. Technické podklady u:*
	Lupinkové pile	Číslo článku	
PL	Oryginal - Deklaracja zgodności CE		Oświadczamy, na swoją wyłączną odpowiedzialność, że wskazane produkty spełniają wszystkie obowiązujące postanowienia poniższych dyrektyw i przepisów, a także są zgodne z następującymi normami. Dokumentacja techniczna dostępna w:*
	Wyrzynak	Numer produktu	
BG	ЕС оригинална декларация за съответствие		Декларираме единствено на наша отговорност че посочените продукти съответстват на всички приложими разпоредби на директивите и нормативните актове, посочени по-долу, и отговарят на следните стандарти. Техническо досие на:*
	Възвратно-постъпателен трион	Номер на артикул	
HU	EU eredeti megfeleléségi nyilatkozat		Kizárólagos felelősségünkre kijelentjük, hogy a megjelölt termékek megfelelnek a lent felsorolt irányelvek és előírások valamennyi vonatkozó rendelkezésének, és megfelelnek az alábbi szabványoknak. Műszaki faji:*
	Kiszúrófűrészekhez	Cikkszám	

RO	Declaratie de conformitate UE originală		Declarăm pe proprie răspundere că produsele menționate corespund tuturor dispozițiilor relevante ale directivelor și regulamentelor enumerate în cele ce urmează și sunt în conformitate cu următoarele standarde. Documentație tehnică la.*
	Ferăstrău cu mișcare alternativă	Număr de identificare	
ET	Originala EL-vaštavusdeklaratsiooni		Kinnitame ainuvaštavutajetena, et nimetatud tooted vaštavad järgnevalt loetletud direktiivide ja määruste kõikele asjaomastele nõuetele ja on kooskõlas järgmistele normidega. Tehnilised dokumendid saadaval.*
	Tikksaag	Tootenumber	
LT	Originali ES atitikties deklaracija		Atsakingai pareiškiame, kad išvardyti gaminiai atitinka visus privalomus žemiau nurodytų direktyvų ir reglamentų reikalavimus ir šiuos standartus. Techninė dokumentacija saugoma.*
	Tiesinis pjūklas	Gaminio numeris	
SL	EU-izjava o skladnosti		Izjavljamo pod izključno odgovornostjo, da je omenjen izdelek v skladu z vsemi relevantnimi določili direktiv in uredb ter ustreza naslednjim standardom. Tehnična dokumentacija pri.*
	Krožna žaga	Številka artikla	
LV	Originalais deklarācija par atbilstību EK standartiem		Mēs ar pilnu atbildību paziņojam, ka šeit aplūkotie izstrādājumi atbilst visiem tālāk minētajās direktīvās un rīkojumos ietvertajām saistošajām nostādnēm, kā arī sekojošiem standartiem. Tehnisķā dokumentācija no.*
	Nažveida zāģis	Izstrādājuma numurs	
HR	Originalna EU izjava o sukladnosti		Pod punom odgovornošću izjavljujemo da navedeni proizvodi odgovaraju svim relevantnim odredbama direktiva i propisima navedenima u nastavku i da su sukladni sa sljedećim normama. Tehnička dokumentacija se može dobiti kod.*
	Recipročna pila	Kataloški broj	
SR	Originalna EU-izjava o usaglašenosti		Na sopstvenu odgovornost izjavljujemo da navedeni proizvodi odgovaraju svim važećim odredbama ispod navedenih direktiva i propisa i da su u skladu sa sledećim standardima. Техничка документација кај.*
	Тестера лисичји реп	Број предмета	
MK	Originalna EU-izjava za soobraznost		Со целосна одговорност изјавуваме, дека опишаните производи се во согласност со сите релевантни одредби на следните регулативи и прописи и се во согласност со следните норми. Техничка документација кај.*
	Електрична реципрочна пила	Број на артикл	
SK	Pôvodnej EU vyhlásenie o zhode		Vyhlasujeme na výhradnú zodpovednosť, že uvedený výrobok spĺňa všetky príslušné ustanovenia nižšie uvedených smerníc a nariadení a je v súlade s nasledujúcimi normami. Technické podklady má spoločnosť.*
	Chvošťová pila	Vecné číslo	
	MS20	F013MS20..	<p>2006/42/EC EN62841-1:2015 2014/30/EU EN62841-2-11:2016 2011/65/EC EN 55014-1: 2017 EN 55014-2: 2015</p> <p>EN 61000-3-2:2014 EN 61000-3-3:2013 EN 50581:2012</p> <p>DREMEL® * Bosch Power Tools B.V. (PT-RT/ETQ-EA) Konijnenberg 60 4825 BD Breda The Netherlands</p> <p>Jean-Paul Meeuwissen General Manager</p> <p>Rob de Bruijn Approval Manager</p> <p> </p> <p>Bosch Power Tools B.V., Konijnenberg 60, 4825 BD Breda, The Netherlands 05.03.20</p>

①



②



③



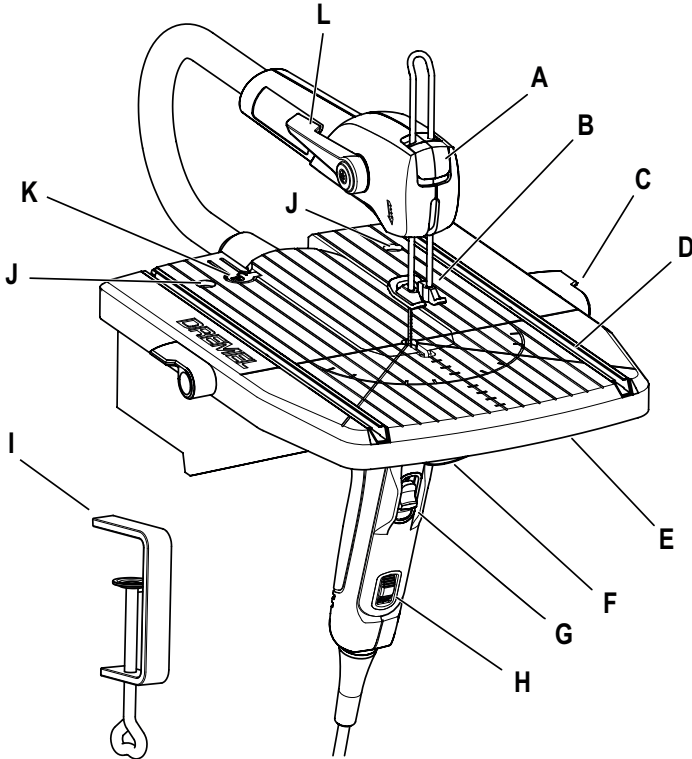
④



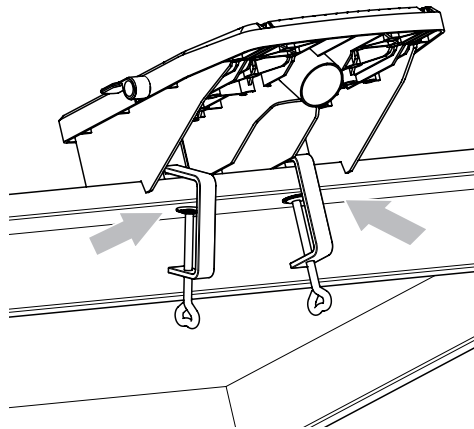
⑤



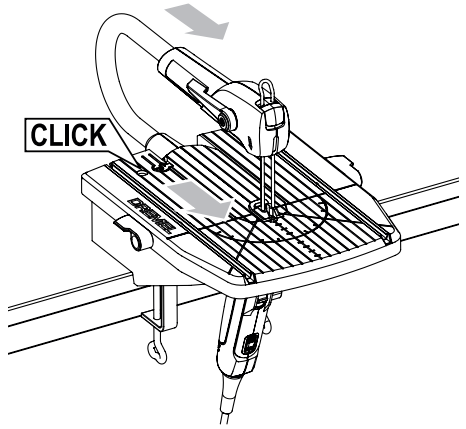
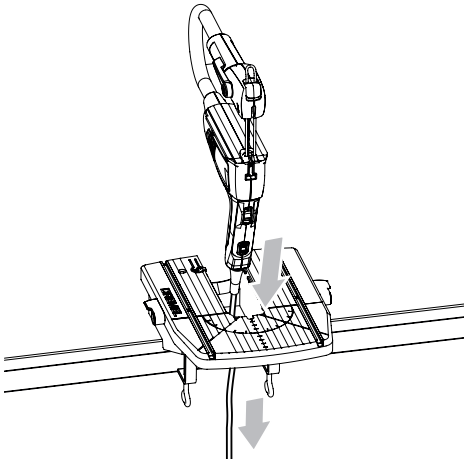
⑥



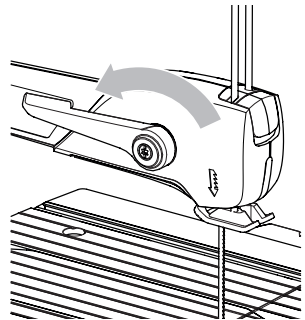
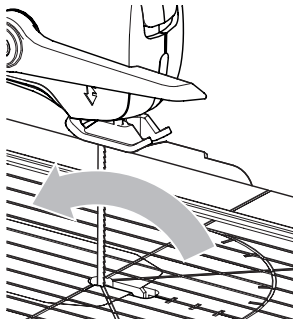
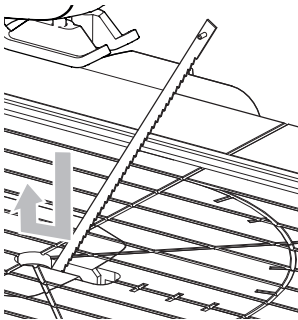
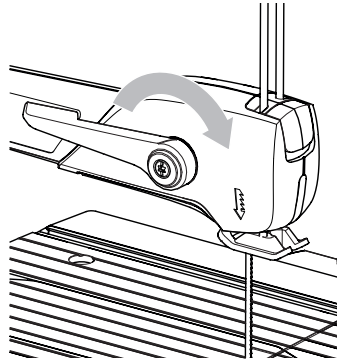
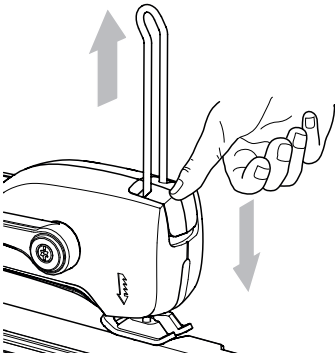
⑦



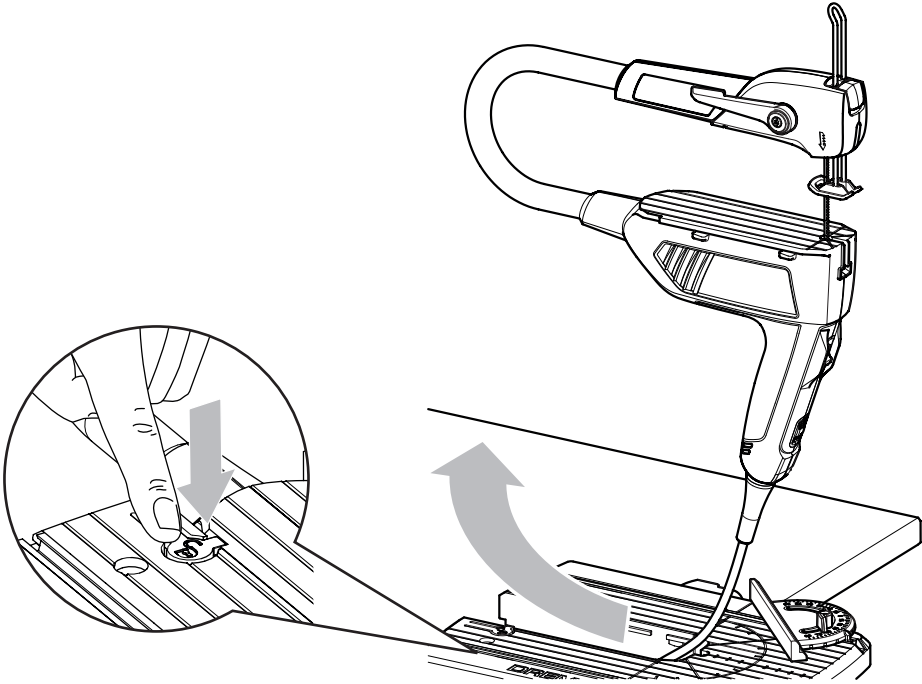
8



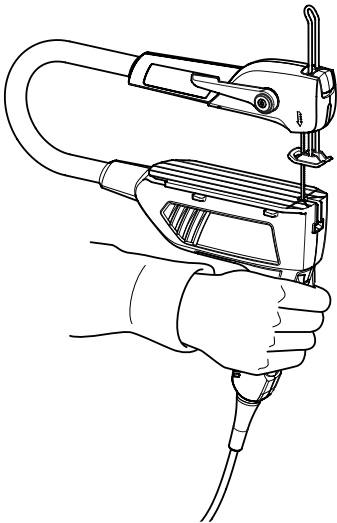
9



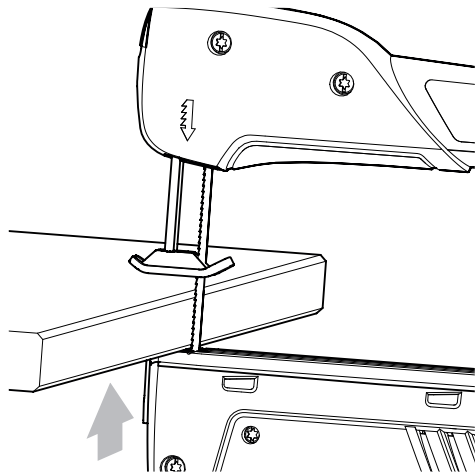
10



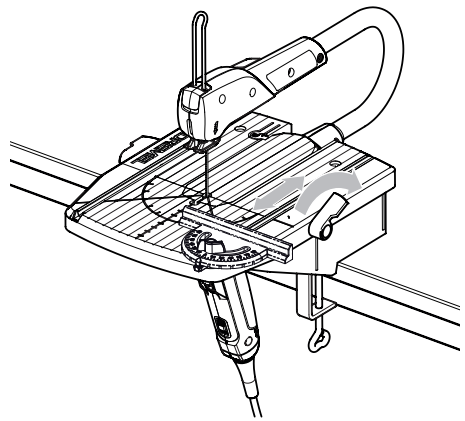
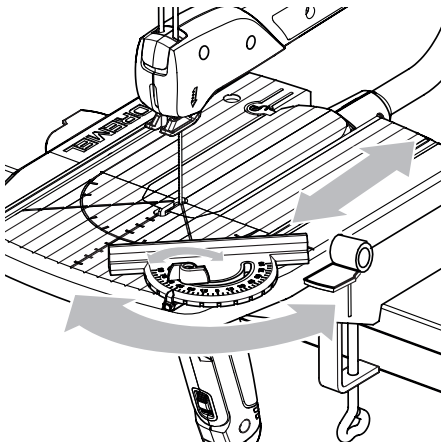
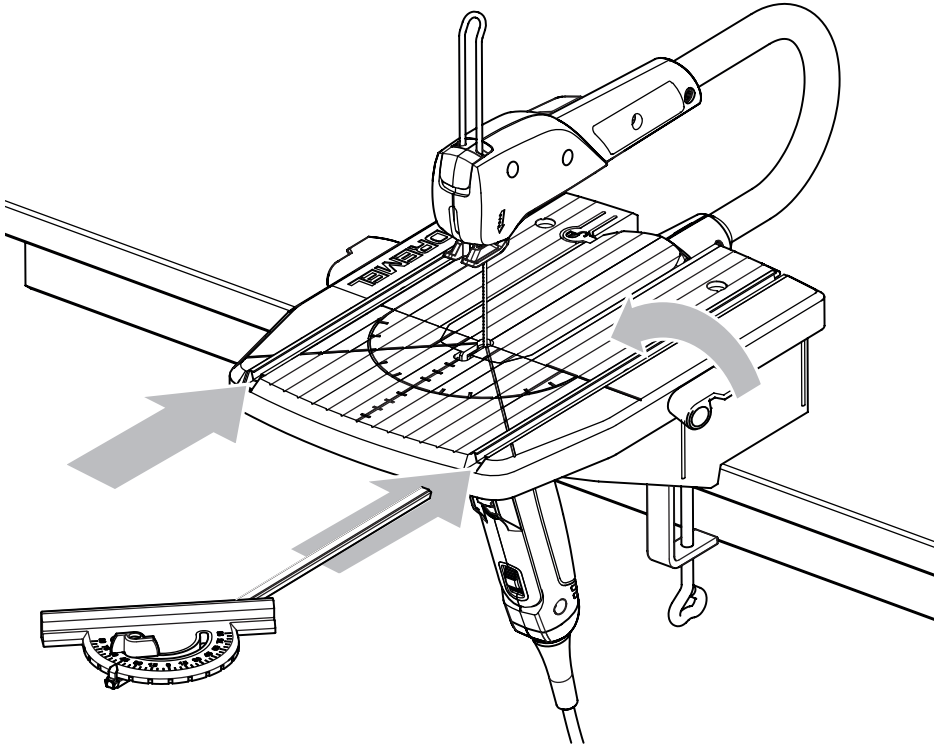
11

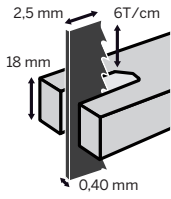
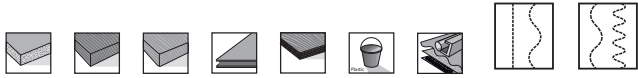


12

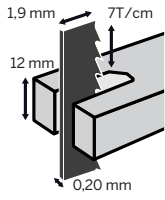


13

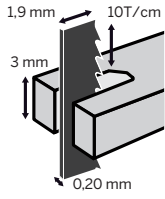




MS51	X	X	X	X	X	X		X
-------------	---	---	---	---	---	---	--	---



MS52	X	X	X	X	X	X		X
-------------	---	---	---	---	---	---	--	---



MS53							X	X
-------------	--	--	--	--	--	--	---	---



USED SYMBOLS

- ① READ THESE INSTRUCTIONS
- ② USE HEARING PROTECTION
- ③ USE EYE PROTECTION
- ④ CLASS II CONSTRUCTED
- ⑤ DO NOT DISPOSE OF POWER TOOLS INTO HOUSEHOLD WASTE

GENERAL POWER TOOL
SAFETY WARNINGS

⚠ WARNING READ ALL SAFETY WARNINGS, INSTRUCTIONS, ILLUSTRATIONS AND SPECIFICATIONS PROVIDED WITH THIS POWER TOOL.

Failure to follow all instructions listed below may result in electric shock, fire and/or serious injury. Save all warnings and instructions for future reference. The term "power tool" in the warnings refers to your mains-operated (corded) power tool or battery-operated (cordless) power tool.

WORK AREA SAFETY

- a. Keep work area clean and well lit. *Cluttered or dark areas invite accidents.*
- b. Do not operate power tools in explosive atmospheres, such as in the presence of flammable liquids, gases or dust. *Power tools create sparks which may ignite the dust or fumes.*
- c. Keep children and bystanders away while operating a power tool. *Distractions can cause you to lose control.*

ELECTRICAL SAFETY

- a. Power tool plugs must match the outlet. Never modify the plug in any way. Do not use any adapter plugs with earthed (grounded) power tools. *Unmodified plugs and matching outlets will reduce risk of electric shock.*
- b. Avoid body contact with earthed or grounded surfaces, such as pipes, radiators, ranges and refrigerators. *There is an increased risk of electric shock if your body is earthed or grounded.*
- c. Do not expose power tools to rain or wet conditions. *Water entering a power tool will increase the risk of electric shock.*
- d. Do not abuse the cord. Never use the cord for carrying, pulling or unplugging the power tool. Keep cord away from heat, oil, sharp edges or moving parts. *Damaged or entangled cords increase the risk of electric shock.*
- e. When operating a power tool outdoors, use an extension cord suitable for outdoor use. *Use of a cord suitable for outdoor use reduces the risk of electric shock.*
- f. If operating a power tool in a damp location is unavoidable, use a residual current device (RCD) protected supply. *Use of an RCD reduces the risk of electric shock.*

PERSONAL SAFETY

- a. Stay alert, watch what you are doing and use common sense when operating a power tool. Do not use a power tool while you are tired or under the influence of drugs, alcohol or medication. A

moment of inattention while operating power tools may result in serious personal injury.

- b. Use personal protective equipment. Always wear eye protection. *Protective equipment such as a dust mask, non-skid safety shoes, hard hat, or hearing protection used for appropriate conditions will reduce personal injuries.*
- c. Prevent unintentional starting. Ensure the switch is in the off-position before connecting to power source and/or battery pack, picking up or carrying the tool. *Carrying power tools with your finger on the switch or energising power tools that have the switch on invites accidents.*
- d. Remove any adjusting key or wrench before turning the power tool on. *A wrench or a key left attached to a rotating part of the power tool may result in personal injury.*
- e. Do not overreach. Keep proper footing and balance at all times. *This enables better control of the power tool in unexpected situations.*
- f. Dress properly. Do not wear loose clothing or jewellery. Keep your hair, clothing and gloves away from moving parts. *Loose clothes, jewellery or long hair can be caught in moving parts.*
- g. If devices are provided for the connection of dust extraction and collection facilities, ensure these are connected and properly used. *Use of dust collection can reduce dust-related hazards.*
- h. Do not let familiarity gained from frequent use of tools allow you to become complacent and ignore tool safety principles. *A careless action can cause severe injury within a fraction of a second.*

POWER TOOL USE AND CARE

- a. Do not force the power tool. Use the correct power tool for your application. *The correct power tool will do the job better and safer at the rate for which it was designed.*
- b. Do not use the power tool if the switch does not turn it on and off. *Any power tool that cannot be controlled with the switch is dangerous and must be repaired.*
- c. Disconnect the plug from the power source and/or remove the battery pack, if detachable, from the power tool before making any adjustments, changing accessories, or storing power tools. *Such preventive safety measures reduce the risk of starting the power tool accidentally.*
- d. Store idle power tools out of the reach of children and do not allow persons unfamiliar with the power tool or these instructions to operate the power tool. *Power tools are dangerous in the hands of untrained users.*
- e. Maintain power tools and accessories. Check for misalignment or binding of moving parts, breakage of parts and any other condition that may affect the power tool's operation. If damaged, have the power tool repaired before use. *Many accidents are caused by poorly maintained power tools.*
- f. Keep cutting tools sharp and clean. *Properly maintained cutting tools with sharp cutting edges are less likely to bind and are easier to control.*
- g. Use the power tool, accessories and tool bits etc. in accordance with these instructions, taking into account the working conditions and the work to be performed. *Use of the power tool for operations different from those intended could result in a hazardous situation.*
- h. Keep handles and grasping surfaces dry, clean and free from oil and grease. *Slippery handles and grasping surfaces do not allow for safe handling and control of the tool in unexpected situations*

SERVICE

- a. Have your power tool serviced by a qualified repair person using only identical replacement parts.
This will ensure that the safety of the power tool is maintained.



MACHINE-SPECIFIC SAFETY WARNINGS


SAFETY WARNINGS FOR JIGSAWS

- a. Hold power tool by insulated gripping surfaces, when performing an operation where the cutting accessory may contact hidden wiring or its own cord. *Cutting accessory contacting a "live" wire may make exposed metal parts of the power tool "live" and could give the operator an electric shock.*
- b. Use clamps or another practical way to secure and support the workpiece to a stable platform. *Holding the workpiece by hand or against your body leaves it unstable and may lead to loss of control.*
- c. Keep hands away from the sawing range. *Do not reach under the workpiece. Contact with the saw blade can lead to injuries.*
- d. Apply the power tool to the workpiece only when switched on. *Otherwise there is danger of kickback when the cutting tool jams in the workpiece.*
- e. When the cut is completed, switch off the tool and then pull the saw blade out of the cut only after it has come to a standstill. *In this manner you can avoid kickback and can place down the tool securely.*
- f. Use only sharp, flawless saw blades. *Bent or unsharp saw blades can break or cause kickback.*
- g. Do not brake the saw blade to a stop by applying side pressure after switching off. *The saw blade can be damaged, break or cause kickback.*
- h. Use suitable detectors to determine if utility lines are hidden in the work area or call the local utility company for assistance. *Contact with electric lines can lead to fire and electric shock. Damaging a gas line can lead to explosion. Penetrating a water line causes property damage or may cause an electric shock.*
- i. Secure the workpiece. *A workpiece clamped with clamping devices or in a vice is held more secure than by hand.*
- j. Keep your workplace clean. *Blends of materials are particularly dangerous. Dust from light alloys can burn or explode.*
- k. Always wait until the tool has come to a complete stop before placing it down. *The tool insert can jam and lead to loss of control over the power tool.*
- l. Never use the tool with a damaged cable. *Do not touch the damaged cable and pull the mains plug when the cable is damaged while working. Damaged cables increase the risk of an electric shock.*

GENERAL WORKING STAND SAFETY WARNINGS

- a. Disconnect the plug from the power source and/or the battery pack from the power tool before making any adjustments or changing accessories. *Accidental starting of the power tool is a cause of some accidents.*
- b. Properly assemble the working stand before mounting the tool. *Proper assembly is important to prevent risk of collapse.*
- c. Securely fasten the power tool to the working stand before use. *Power tool shifting on the working stand can cause loss of control.*
- d. Place the working stand on a solid, flat and level surface. *When the working stand can shift or rock, the power tool or workpiece cannot be steadily and safely controlled.*

-  **WEAR EAR PROTECTORS** (exposure to noise can cause hearing loss)
-  **DO NOT WORK WITH MATERIALS CONTAINING ASBESTOS** (asbestos is considered carcinogenic)

-  **TAKE PROTECTIVE MEASURES WHEN DURING WORK DUST CAN DEVELOP THAT IS HARMFUL TO ONE'S HEALTH, COMBUSTIBLE OR EXPLOSIVE** (some dusts are considered carcinogenic); wear a dust mask and work with dust/chip extraction when connectable

SPECIFICATIONS

Model number	MS20
Input	70 W
Voltage	220-240V~50/60Hz
No-load speed	1500-2250/min
Max. cutting depth	18 mm
Throat depth	250 mm
Stroke length	8 mm
Weight	1.1 kg

Use completely unrolled and safe extension cords with a capacity of 5 Amps.

Always check that the supply voltage is the same as the voltage indicated on the nameplate of the tool.

GENERAL ⑥

The Moto-Saw is a compact and very easy to use 2-in-1 scroll saw. It can be used either in stationary mode, when the tool is docked in its base or in handheld mode. This tool is intended to perform precise straight and curved cuts in different materials including soft wood, hard wood, composite boards, laminate, PVC or soft sheet metal using the applicable accessories recommended by Dremel.

- A. Hold-down foot release button
- B. Hold-down foot
- C. Fence lock lever
- D. Guide rail
- E. Base
- F. Dust port
- G. On/off switch
- H. Speed dial switch
- I. Securing clamps
- J. Permanent fixing hole
- K. Quick-release button
- L. Accessory quick-change lever

USE

-  **DISCONNECT THE PLUG FROM THE POWER SOURCE BEFORE MAKING ANY ASSEMBLY, ADJUSTMENTS OR CHANGING ACCESSORIES.** *Such preventive safety measures reduce the risk of starting the tool accidentally.*

DUST EXTRACTION

The tool is equipped with a dust port for dust extraction. To use this feature attach a vacuum hose into the dust port.

STATIONARY MODE

Using the tool in stationary mode gives you the freedom to cut different materials with both hands holding your work piece. In this mode you can complete different hobby or wood working projects precisely and easily.

1. Make sure the base is securely attached to a flat work surface with the help of the clamps provided (7). The base can be permanently secured to a work bench with regular screws through the 2 holes located on the top of the base.

Do not sit or lean on the base. The base is meant to support the materials being cut.

2. Once the base is secured, dock the tool in it: first feed the cord through the base's hole and then simply click the tool into the base (8). The tool is securely docked, when the hand-held tool and the stationary base are flush.
Only use the Dremel Moto-Saw in the base. Other electric power tools are not intended to be used with the base.
3. Once the saw blade is inserted as illustrated (9), the tool is ready for operation.
4. Start the tool and let the cord come to the right speed before contacting the workpiece.
Do not turn the switch on and off while the tool is under load.

Press down the hold-down foot onto your workpiece to prevent it from bouncing.

To minimise vibration hold your workpiece with two hands close to the saw blade.

Do not push your workpiece too hard against the saw blades. These blades are for delicate use. Therefore it is important that the blade has time to cut the materials. Excessive pressure on the workpiece will result in early blade snapping.

Before beginning work on your project, make a few practice cuts on scrap material.

HAND-HELD MODE

Using the tool in hand-held mode is recommended when the workpiece is too big or fixed and therefore cannot be put onto the base. Typical hand-held operation includes coping work or cutting smaller pieces of materials. In hand-held mode the tool functions as a motorised coping/fret saw.

1. Keep pressing the quick-release button while detaching the tool from its base (10).
2. Once the tool is detached, it can be held in your hand (11). **While cutting in hand-held mode, make sure you have a firm grip on the tool.**
3. Try to line up the tool's surface against the bottom of your workpiece to reduce vibration (12).

EDGE GUIDE (13)

The edge guide can be used in either of the guide rails. This attachment can be used as a push stick or as an edge guide/fence. When used as a push stick, there is no need to lock it in the rails with the fence lock lever.

The guide can be used in different angles. To adjust the angle loosen the wing screw on the guide and rotate the head into the desired position.

The edge guide can be locked in place turning the fence lock lever. Actuating this will prevent the guide sliding in the rail.

MAINTENANCE AND CLEANING

A NO USER SERVICEABLE PARTS INSIDE. PREVENTIVE MAINTENANCE PERFORMED BY UNAUTHORIZED PERSONNEL MAY RESULT IN INCORRECT CONNECTION OF INTERNAL WIRING AND COMPONENTS WHICH COULD CAUSE SERIOUS HAZARD.

The tool can be cleaned most effectively with compressed dry air. **Always wear safety goggles when cleaning tools with compressed air.**

A TO AVOID ACCIDENTS, ALWAYS DISCONNECT THE TOOL AND/OR CHARGER FROM THE POWER SUPPLY BEFORE CLEANING

Ventilation openings and switch levers must be kept clean and free of foreign matter. Do not attempt to clean the tool by inserting pointed objects through an opening.

A CERTAIN CLEANING AGENTS AND SOLVENTS DAMAGE PLASTIC PARTS. Some of these are: gasoline, carbon tetrachloride, chlorinated cleaning solvents, ammonia and household detergents that contain ammonia.

SERVICE AND WARRANTY

We recommend that all tool service be performed by a Dremel Service Centre.

This Dremel product is guaranteed in accordance with statutory/country-specific regulations; damage due to normal wear and tear, overload or improper handling are excluded from the warranty.

In case of a complaint, send the undismantled tool and/or charger and proof of purchase to your dealer.

CONTACT DREMEL

For more information on service and warranty, the Dremel product range, support and hotline, go to www.dremel.com.

NOISE AND VIBRATION

Sound pressure level (standard deviation 3dB) dB(A)	76.0
Sound power level (standard deviation 3dB) dB(A)	87.0
Vibration (cutting mild steel) m/s ²	7.7
Vibration (cutting chipboard) m/s ²	8.4
Vibration uncertainty K m/s ²	1.5

NOTE: The declared vibration total value(s) and the declared noise emission value(s) have been measured in accordance with a standard test method and may be used for comparing one tool with another. They may also be used in a preliminary assessment of exposure.

The vibration and noise emissions during actual use of the power tool can differ from the declared total value depending on the ways in which you use the tool. Make an estimation of the exposure in the actual conditions of use and identify the safety measures for personal protection accordingly (taking account of all parts of the operating cycle such as the times when the tool is switched off and when it is running idle in addition to the trigger time).

DISPOSAL

The tool, accessories and packaging should be sorted for environmental-friendly recycling.

ONLY FOR EC COUNTRIES (6)

According to the European Guideline 2012/19/EC for Waste Electrical and Electronic Equipment and its implementation into national right, power tools that are no longer usable must be collected separately and disposed of in an environmentally correct manner.

VERWENDETE SYMBOLE

- ① LESEN SIE DIESE ANWEISUNGEN
- ② TRAGEN SIE GEHÖRSCHUTZ
- ③ TRAGEN SIE AUGENSCHUTZ
- ④ KLASSE-II-AUSFÜHRUNG
- ⑤ WERFEN SIE ELEKTROWERKZEUGE NICHT IN DEN HAUSMÜLL

ALLGEMEINE WARNHINWEISE FÜR ELEKTROWERKZEUGE

⚠ WARNUNG BEACHTEN SIE ALLE WARNHINWEISE, ANWEISUNGEN, ABBILDUNGEN UND SPEZIFIKATIONEN, DIE SIE MIT DEM WERKZEUG ERHALTEN.

Fehler bei der Einhaltung der nachstehend aufgeführten Anweisungen können einen elektrischen Schlag, Brand und/oder schwere Verletzungen verursachen. **Bewahren Sie alle Warnungen und Anweisungen für die Zukunft auf.** Die Bezeichnung Elektrowerkzeug in den Warnhinweisen bezieht sich sowohl auf Werkzeuge, die mit Netzspannung betrieben werden (Werkzeuge mit Netzkabel), als auch auf akkubetriebene Werkzeuge (Werkzeuge ohne Netzkabel).

SICHERHEIT AM ARBEITSPLATZ

- a. Halten Sie Ihren Arbeitsbereich sauber und aufgeräumt. Unordnung oder unbeleuchtete Arbeitsbereiche können zu Unfällen führen.
- b. Arbeiten Sie mit dem Gerät nicht in explosionsgefährdeter Umgebung, in der sich brennbare Flüssigkeiten, Gase oder Stäube befinden. Elektrowerkzeuge erzeugen Funken, die den Staub oder die Dämpfe entzünden können.
- c. Halten Sie Kinder und andere Personen während der Benutzung des Elektrowerkzeugs fern. Bei Ablenkung können Sie die Kontrolle über das Gerät verlieren.

ELEKTRISCHE SICHERHEIT

- a. Der Anschlussstecker des Gerätes muss in die Steckdose passen. Der Stecker darf in keiner Weise verändert werden. Verwenden Sie keine Adapterstecker gemeinsam mit schutzgeerdeten Geräten. Unveränderte Stecker und passende Steckdosen verringern das Risiko eines elektrischen Schlages.
- b. Vermeiden Sie Körperkontakt mit geerdeten Oberflächen wie Rohren, Heizungen, Herden und Kühlschränken. Es besteht ein erhöhtes Risiko durch elektrischen Schlag, wenn Ihr Körper geerdet ist.
- c. Setzen Sie das Gerät weder Regen noch Nässe aus. Das Eindringen von Wasser in ein Elektrogerät erhöht das Risiko eines elektrischen Schlages.
- d. Nutzen Sie das Netzkabel ausschließlich für seinen bestimmungsgemäßen Zweck. Verwenden Sie das Netzkabel nicht, um das Elektrowerkzeug zu tragen oder zu ziehen. Ziehen Sie den Netzstecker nicht am Kabel aus der Steckdose. Halten Sie das Kabel fern von Hitze, Öl, scharfen Kanten und sich bewegenden Geräteteilen. Beschädigte oder verwickelte Kabel erhöhen das Risiko eines elektrischen Schlages.

- e. Wenn Sie mit einem Elektrowerkzeug im Freien arbeiten, verwenden Sie nur Verlängerungskabel, die auch für den Außenbereich zugelassen sind. Die Anwendung eines für den Außenbereich geeigneten Verlängerungskabels verringert das Risiko eines elektrischen Schlages.
- f. Falls sich der Einsatz eines Elektrowerkzeugs in einer feuchten Umgebung nicht vermeiden lässt, verwenden Sie einen Fehlerstrom-Schutzschalter. Die Verwendung eines Fehlerstrom-Schutzschalters verringert das Risiko eines elektrischen Schlages.

SICHERHEIT VON PERSONEN

- a. Seien Sie aufmerksam, achten Sie darauf, was Sie tun, und gehen Sie mit Vernunft an die Arbeit mit einem Elektrowerkzeug. Benutzen Sie das Gerät nicht, wenn Sie müde sind oder unter dem Einfluss von Drogen, Alkohol oder Medikamenten stehen. Ein Moment der Unachtsamkeit beim Gebrauch des Gerätes kann zu ernsthaften Verletzungen führen.
- b. Tragen Sie persönliche Schutzausrüstung. Tragen Sie stets einen Augenschutz. Das Tragen persönlicher Schutzausrüstung, wie Staubmaske, rutschfeste Sicherheitsschuhe, Schutzhelm oder Gehörschutz, je nach Art und Einsatz des Elektrowerkzeuges, verringert das Risiko von Verletzungen.
- c. Beugen Sie unbeabsichtigtem Einschalten des Geräts vor. Vergewissern Sie sich, dass der Netzschalter ausgeschaltet ist, bevor Sie das Gerät an die Stromquelle oder den Akku anschließen, das Gerät in die Hand nehmen oder transportieren. Wenn Sie beim Tragen des Gerätes den Finger am Schalter haben oder das Gerät eingeschaltet an die Stromversorgung anschließen, kann dies zu Unfällen führen.
- d. Entfernen Sie Einstellwerkzeuge oder Schraubenschlüssel, bevor Sie das Gerät einschalten. Ein Werkzeug oder Schlüssel, der sich in einem drehenden Geräteteil befindet, kann zu Verletzungen führen.
- e. Überschätzen Sie sich nicht. Sorgen Sie für einen sicheren Stand und halten Sie jederzeit das Gleichgewicht. Dadurch können Sie das Gerät in unerwarteten Situationen besser kontrollieren.
- f. Tragen Sie geeignete Kleidung. Tragen Sie keinen Schmuck. Halten Sie Haare, Kleidung und Handschuhe fern von sich bewegenden Teilen. Lockere Kleidung, Schmuck oder lange Haare können von sich bewegenden Teilen erfasst werden.
- g. Wenn Staubabsaug- und -auffangeinrichtungen montiert werden können und sollen, vergewissern Sie sich, dass diese richtig angeschlossen und verwendet werden. Das Verwenden von Staubauffangeinrichtungen verringert die Gefährdungen durch Staub.
- h. Wiegen Sie sich nicht in falscher Sicherheit und setzen Sie sich nicht über die Sicherheitsregeln für Elektrowerkzeuge hinweg, auch wenn Sie nach vielfachem Gebrauch mit dem Elektrowerkzeug vertraut sind. Achtlloses Handeln kann binnen Sekundenbruchteilen zu schweren Verletzungen führen.

SORGFÄLTIGER UMGANG MIT UND GEBRAUCH VON ELEKTROWERKZEUGEN

- a. Überlasten Sie das Gerät nicht. Verwenden Sie für Ihre Arbeit das dafür bestimmte Elektrowerkzeug. Im dafür jeweils vorgesehenen Leistungsbereich arbeiten Sie mit dem passenden Elektrowerkzeug besser und sicherer.
- b. Benutzen Sie kein Elektrowerkzeug, dessen Schalter defekt ist. Ein Elektrowerkzeug, das sich

nicht mehr ein- oder ausschalten lässt, ist gefährlich und muss repariert werden.

- c. **Trennen Sie Elektrowerkzeuge von der Stromversorgung bzw. nehmen Sie den Akku ab, falls abnehmbar, bevor Sie Einstellungen vornehmen, Zubehör wechseln oder die Geräte lagern.** Diese Vorsichtsmaßnahme verhindert den unbeabsichtigten Start des Gerätes.
- d. **Bewahren Sie unbenutzte Elektrowerkzeuge außerhalb der Reichweite von Kindern auf. Lassen Sie Personen das Gerät nicht benutzen, die mit diesem nicht vertraut sind oder diese Anweisungen nicht gelesen haben.** Elektrowerkzeuge sind gefährlich, wenn sie von unerfahrenen Personen benutzt werden.
- e. **Pflegen Sie Elektrowerkzeuge und Zubehör. Kontrollieren Sie, ob bewegliche Geräteteile einwandfrei funktionieren und nicht klemmen, ob Teile gebrochen oder so beschädigt sind, dass die Funktion des Gerätes beeinträchtigt ist. Lassen Sie beschädigte Teile vor dem Einsatz des Gerätes reparieren.** Viele Unfälle haben ihre Ursache in schlecht gewarteten Elektrowerkzeugen.
- f. **Halten Sie Schneidwerkzeuge scharf und sauber.** Sorgfältig gepflegte Schneidwerkzeuge mit scharfen Schneidkanten verkleben sich weniger und sind leichter zu führen.
- g. **Verwenden Sie Elektrowerkzeug, Zubehör, Einsatzwerkzeuge usw. entsprechend diesen Anweisungen.** Berücksichtigen Sie dabei die Arbeitsbedingungen und die auszuführende Tätigkeit. Der Gebrauch von Elektrowerkzeugen für andere als die vorgesehenen Anwendungen kann zu gefährlichen Situationen führen.
- h. **Halten Sie Griffe und Griffflächen trocken, sauber und frei von Öl und Fett.** Rutschige Griffe und Griffflächen erlauben keine sichere Bedienung und Kontrolle des Elektrowerkzeuges in unvorhergesehenen Situationen.

REPARATUREN

- a. **Lassen Sie das Gerät nur von qualifiziertem Fachpersonal und nur mit Original-Ersatzteilen reparieren.** Damit wird sichergestellt, dass die Sicherheit des Gerätes gewährleistet bleibt.

MASCHINENSPEZIFISCHE WARNHINWEISE

WARNHINWEISE FÜR STICHSÄGEN


- a. **Fassen Sie das Elektrowerkzeug nur an isolierten Griffflächen an, wenn Sie Arbeiten ausführen, bei denen das Einsatzwerkzeug verborgene Stromleitungen oder das eigene Netzkabel treffen kann.** Der Kontakt mit einer spannungsführenden Leitung kann auch Metallteile des Elektrowerkzeuges unter Spannung setzen und ggf. zu einem elektrischen Schlag führen.
- b. **Verwenden Sie Schraubklemmen oder eine andere geeignete Spannvorrichtung zum Fixieren und Halten des Werkstücks an einer stabilen Arbeitsfläche.** Das Halten des Werkstücks mit der Hand oder gegen den Körper bietet keine ausreichende Stabilität und kann zum Verlust der Kontrolle führen.
- c. **Halten Sie die Hände vom Sägebereich fern.** Greifen Sie nicht unter das Werkstück. Bei Kontakt mit dem Sägeblatt besteht Verletzungsgefahr.
- d. **Setzen Sie das Elektrowerkzeug nur in eingeschaltetem Zustand auf das Werkstück an.** Ansonsten besteht Rückschlaggefahr, wenn sich das Schneidwerkzeug im Werkstück verklemt.
- e. **Nach Abschluss des Schneidvorgangs das**

Werkzeug ausschalten und das Sägeblatt erst nach Stillstand aus dem Schnitt ziehen. Auf diese Weise können Sie Rückschläge vermeiden und das Werkzeug sicher ablegen.


- f. **Verwenden Sie ausschließlich scharfe, einwandfreie Sägeblätter.** Bei verbogenen oder unscharfen Sägeblättern besteht die Gefahr eines Bruchs oder eines Rückschlags.
- g. **Bremsen Sie nach dem Ausschalten des Werkzeugs das Sägeblatt nicht durch seitlichen Druck ab.** Das Sägeblatt kann beschädigt werden, brechen oder es kann zu Rückschlägen kommen.
- h. **Verwenden Sie geeignete Suchgeräte, um verborgene Versorgungsleitungen aufzuspüren, oder halten Sie Rücksprache mit den zuständigen Versorgungsunternehmen.** Kontakt mit Elektroleitungen kann zu Feuer und elektrischem Schlag führen. Die Beschädigung einer Gasleitung kann zur Explosion führen. Das Eindringen in eine Wasserleitung verursacht Sachbeschädigung und kann einen elektrischen Schlag verursachen.
- i. **Sichern Sie das Werkstück.** Mit einer Spannvorrichtung oder einem Schraubstock wird Ihr Werkstück sicherer gehalten als mit Ihrer Hand.
- j. **Halten Sie Ihren Arbeitsplatz sauber.** Materialmischungen sind besonders gefährlich. Leichtmetallstaub kann brennen oder explodieren.
- k. **Warten Sie stets den vollständigen Stillstand des Werkzeugs ab, ehe Sie es absetzen.** Der Werkzeugeinsatz kann sich verkleben und zum Verlust der Kontrolle über das Werkzeug führen.
- l. **Verwenden Sie das Werkzeug niemals mit einem beschädigten Kabel.** Berühren Sie das beschädigte Kabel nicht und ziehen Sie den Hauptstecker, wenn das Kabel während des Betriebs beschädigt wird. Beschädigte Kabel erhöhen das Risiko eines elektrischen Schlages.

ALLGEMEINE WARNHINWEISE ZUR HALTERUNG

- a. **Ziehen Sie den Netzstecker und/oder nehmen Sie den Akku aus dem Elektrowerkzeug, bevor Sie Modifikationen am Gerät vornehmen oder Zubehörteile wechseln.** Mit dieser Vorsichtsmaßnahme verhindern Sie Unfälle, die durch unbeabsichtigtes Starten des Geräts verursacht werden können.
- b. **Sorgen Sie für eine ordnungsgemäße Montage der Halterung, bevor Sie das Werkzeug aufsetzen.** Montieren Sie die Halterung so stabil, dass sie auch eventuellen Belastungen standhält.
- c. **Befestigen Sie das Elektrowerkzeug sicher an der Halterung.** Wenn das Gerät in der Halterung Spiel hat, können Sie unter Umständen die Kontrolle über das Werkzeug verlieren.
- d. **Stellen Sie die Halterung auf eine stabile, flache und ebene Fläche.** Wenn die Halterung verrutscht oder kipzelt, können Werkzeug und Werkstück nicht sicher gehalten werden.

 **TRAGEN SIE GEHÖRSCHUTZ** (die Einwirkung von Lärm kann Gehörverlust bewirken)

 **BEARBEITEN SIE KEIN ASBESTHALTIGES MATERIAL** (Asbest gilt als krebserregend)

 **TREFFEN SIE SCHUTZVORKEHRUNGEN, WENN BEIM ARBEITEN GESUNDHEITSSCHÄDLICHE, BRENNBARE ODER EXPLOSIVE STÄUBE ENTSTEHEN KÖNNEN** (manche Stäube gelten als krebserregend); tragen Sie eine Staubschutzmaske und verwenden Sie eine Staub-/Späneabsaugung, falls anschlussbar.

SPEZIFIKATIONEN

Modellnummer	MS20
Eingang	70 W
Nennspannung	220-240 V~ 50/60 Hz
Leerlaufdrehzahl	1500-2250/min
Max. Schnitttiefe	18 mm
Maultiefe	250 mm
Hubweg	8 mm
Gewicht	1,1 kg

Verwenden Sie nur vollständig abgewickelte und unbeschädigte Verlängerungskabel mit einer Nennstromstärke von mindestens 5 A. Vergewissern Sie sich stets, dass die Versorgungsspannung den Angaben auf dem Typenschild des Werkzeugs entspricht.

ALLGEMEIN ⑥

Die Moto-Saw ist eine kompakte und sehr bedienerfreundliche 2-in-1-Stichsäge. Sie kann im stationären Modus (Werkzeug auf Standfuß) oder im Freihandmodus eingesetzt werden. Das Werkzeug ist für präzise Geraden- und Kurvenschnitte in verschiedenen Materialien wie Weichholz, Hartholz, Verbundplatten, Laminat, PVC oder Weichblech mithilfe des von Dremel empfohlenen Zubehörs ausgelegt.

- A. Entriegelungsknopf der Rückhaltevorrückung
- B. Rückhaltevorrückung
- C. Führungsverriegelungshebel
- D. Leitschiene
- E. Standfuß
- F. Staubabführung
- G. Ein-/Ausschalter
- H. Drehzahlwahlschalter
- I. Sicherungsklemmen
- J. Bohrung zur permanenten Befestigung
- K. Knopf der Schnellkupplung
- L. Hebel für schnellen Zubehörwechsel

VERWENDUNG



TRENNEN SIE DIE STROMVERSORGUNG, BEVOR SIE KOMPONENTEN ZUSAMMENBAUEN UND EINSTELLEN ODER ZUBEHÖR WECHSELN. Diese Vorsichtsmaßnahme verhindert das unbeabsichtigte Starten des Werkzeugs.

STAUBABFÜHRUNG

Das Werkzeug ist mit einer Staubabführung ausgestattet. Zur Nutzung dieser Funktion befestigen Sie einen Ansaugschlauch an der Staubabführung.

STATIONÄRER MODUS

Die Verwendung des Werkzeugs im stationären Modus gibt Ihnen die Freiheit, die zu schneidenden Materialien mit beiden Händen festzuhalten. In diesem Modus können Sie verschiedene Hobby- oder Holzarbeitsprojekte präzise und einfach durchführen.

1. Achten Sie darauf, dass der Standfuß sicher mithilfe der mitgelieferten Klemmen auf einer ebenen Arbeitsoberfläche befestigt ist (7). Der Standfuß kann mit normalen Schrauben an den beiden Löchern am oberen Ende dauerhaft an einer Werkbank befestigt werden.

Nicht auf den Standfuß setzen oder sich daran anlehnen. Der Standfuß ist für die zu schneidenden Werkstücke bestimmt.

2. Nach der Befestigung des Standfußes setzen Sie das Werkzeug ein: Führen Sie zunächst das Kabel durch das Loch des Standfußes und lassen Sie anschließend das Werkzeug einfach in den Standfuß einrasten (8). Das Werkzeug ist sicher eingerastet, wenn Freihand-Werkzeug und Standfuß in einer Ebene liegen. **Verwenden Sie nur die Dremel Moto-Saw mit dem Standfuß. Für andere Elektrowerkzeuge ist er nicht ausgelegt.**
3. Nach dem Einsetzen des Sägeblattes gemäß Abbildung (9) ist das Werkzeug betriebsbereit.
4. Starten Sie das Werkzeug und warten Sie, bis die richtige Drehzahl erreicht ist, bevor Sie das Werkzeug an das Werkstück ansetzen. **Schalten Sie den Druckschalter nicht ein oder aus, während das Werkzeug unter Last steht.**

Drücken Sie die Rückhaltevorrückung auf das Werkstück, um ein Zurückprallen zu verhindern.

Um die Vibrationen zu minimieren, halten Sie Ihr Werkstück mit beiden Händen in der Nähe des Sägeblattes.

Drücken Sie Ihr Werkstück nicht zu fest gegen die Sägeblätter. Die Blätter sind für den vorsichtigen Gebrauch bestimmt. Daher ist es wichtig, dem Sägeblatt Zeit zum Schneiden zu lassen. Übermäßiger Druck auf das Werkstück führt zu einem vorzeitigen Bruch des Sägeblattes.

Führen Sie vor der Arbeit an Ihrem Projekt ein paar Übungsschnitte an Materialresten durch.

FREIHANDBETRIEB

Eine Nutzung des Werkzeugs im Freihandmodus ist empfehlenswert, wenn das Werkstück zu groß oder fixiert ist, sodass es nicht auf dem Standfuß befestigt werden kann. Zu den typischen Tätigkeiten im Freihandmodus zählen Bogenarbeiten oder das Schneiden kleinerer Werkstücke. Im Freihandmodus fungiert das Werkzeug als motorisierte Bogen-/Schweifsäge.

1. Halten Sie den Knopf der Schnellkupplung gedrückt, wenn Sie das Werkzeug vom Standfuß lösen (10).
2. Nach dem Lösen können Sie das Werkzeug frei in der Hand halten (11). **Achten Sie beim Schneiden im Freihandmodus darauf, dass Sie das Werkzeug fest im Griff haben.**
3. Versuchen Sie die Oberfläche des Werkzeugs gegen die Unterseite Ihres Werkstücks zu halten, um die Vibrationen zu minimieren (12).

KANTENFÜHRER ⑬

Der Kantenführer kann in einer beliebigen Leitschiene verwendet werden.

Dieses Vorsatzgerät kann als Schiebstock oder als Kantenführer/Führvorsatz eingesetzt werden. Bei Verwendung als Schiebstock ist eine Verriegelung in den Schienen mit dem Führungsverriegelungshebel nicht erforderlich.

Der Kantenführer kann in verschiedenen Winkeln verwendet werden. Lösen Sie zur Winklereinstellung die Flügelschraube des Kantenführers und drehen Sie den Kopf in die gewünschte Position.

Der Kantenführer kann durch Drehen des Führungsverriegelungshebels arretiert werden. Durch Betätigung des Hebels wird ein Gleiten des Kantenführers in der Schiene verhindert.

WARTUNG UND REINIGUNG

⚠ IM INNEREN DES GERÄTS BEFINDEN SICH KEINE TEILE, DIE VOM BENUTZER GEWARTET WERDEN KÖNNEN. UM BESCHÄDIGUNGEN UND/ODER RISIKEN VORZUBEUGEN, SOLLTEN WARTUNGS- UND REPARATURARBEITEN AUSSCHLIESSLICH DURCH AUTORIZIERTE PERSONEN ERFOLGEN.

Die beste Art der Reinigung ist Abspritzen mit Druckluft. **Tragen Sie beim Reinigen von Werkzeugen mit Druckluft stets eine Schutzbrille.**

⚠ TRENNEN SIE DAS WERKZEUG BZW. LADEGERÄT STETS VON DER STROMVERSORGUNG, BEVOR SIE MIT REINIGUNGSARBEITEN BEGINNEN. BEI NICHTBEACHTUNG KANN ES ZU UNFÄLLEN KOMMEN

Lüftungsschlitze und Schalthebel müssen stets frei von Schmutz und Fremdkörpern sein. Führen Sie auch beim Reinigen keine spitzen Objekte durch die Öffnungen des Werkzeugs.

⚠ MANCHE REINIGUNGS- UND LÖSUNGSMITTEL GREIFEN KUNSTSTOFFOBERFLÄCHEN AN.

Beispiele für solche Mittel: Benzin, Kohlenstoff-Tetrachlorid, chlorhaltige Reinigungsmittel, Ammoniak und Haushaltsreiniger mit Ammoniak.

REPARATUR UND GEWÄHRLEISTUNG

Wir empfehlen, Wartung und Reparatur von Dremel-Serviceniederlassungen durchführen zu lassen. Die Garantie für dieses Dremel Produkt entspricht den länderspezifischen Vorschriften. Schäden durch normale Abnutzung und Verschleiß sowie Überlastung oder unsachgemäße Behandlung sind von der Garantie ausgeschlossen.

Im Falle einer Reklamation schicken Sie das Werkzeug und/oder Ladegerät zusammen mit einem entsprechenden Kaufnachweis an Ihren Händler.

DREMEL-KONTAKTINFORMATIONEN

Weitere Informationen über Reparaturen, Gewährleistung, die Dremel-Produkte, den Kundendienst und die Hotline finden Sie unter www.dremel.com.

GERÄUSCHE UND VIBRATIONEN

Schalldruckpegel (Standardabweichung: 3 dB) dB(A)	76,0
Schalleistungspegel (Standardabweichung: 3 dB) dB(A)	87,0
Vibration (Weichstahl sägen) m/s ²	7,7
Vibration (Spanplatte sägen) m/s ²	8,4
Vibrationsunsicherheit K m/s ²	1,5

HINWEIS: Die angegebenen Werte für Gesamt-Vibration und Geräuschemission wurden entsprechend einer Standard-Testmethode gemessen und können zum Vergleich von Werkzeugen verwendet werden. Sie können auch zu einer vorläufigen Einschätzung der Exposition genutzt werden.

In Abhängigkeit von der Art, in der das Werkzeug verwendet wird, können die Vibrations- und Geräuschemissionen während der Arbeit vom angegebenen Gesamtwert abweichen. Um die Exposition unter den tatsächlich Anwendungsbedingungen abzuschätzen und zu bestimmen, welche persönlichen Schutzmaßnahmen erforderlich sind, sollten zusätzlich zu den Bedienungszeiten auch die Zeiten berücksichtigt werden, in denen das Gerät abgeschaltet ist oder im Leerlauf läuft.

ENTSORGUNG

Entsorgen Sie Werkzeug, Zubehör und Verpackung getrennt, für eine umweltgerechte Wiederverwertung.

NUR FÜR EU-LÄNDER ⑥

Gemäß der Europäischen Richtlinie 2012/19/EG über Elektro- und Elektronik-Altgeräte und ihrer Umsetzung in nationales Recht müssen nicht mehr gebrauchsfähige Elektrowerkzeuge getrennt gesammelt und einer umweltgerechten Wiederverwertung zugeführt werden.

FR

SYMBOLS UTILISÉS

- ① LISEZ CES CONSIGNES
- ② UTILISEZ UN DISPOSITIF DE PROTECTION ANTIBRUIT
- ③ UTILISEZ UN ÉQUIPEMENT DE PROTECTION OCULAIRE
- ④ APPAREIL DE CLASSE II
- ⑤ NE JETEZ PAS VOTRE APPAREIL ÉLECTROPORATIF AVEC LES ORDURES MÉNAGÈRES

AVERTISSEMENTS DE SÉCURITÉ GÉNÉRAUX CONCERNANT LES OUTILS ÉLECTROPORATIFS

⚠ ATTENTION RESPECTEZ L'ENSEMBLE DES AVERTISSEMENTS, INSTRUCTIONS, REPRÉSENTATIONS ET DONNÉES QUI SONT FOURNIS AVEC L'OUTIL ÉLECTROPORATIF.

En cas de non-respect de toutes les instructions ci-dessous, une décharge électrique, un incendie ou des blessures sérieuses peuvent en résulter. Conservez ces avertissements et ces consignes à des fins de référence future. Le terme « outil électroportatif » des avertissements se rapporte à votre outil électroportatif fonctionnant sur secteur (à cordon) ou sur batterie (sans cordon).

SÉCURITÉ DE LA ZONE DE TRAVAIL

- Faites en sorte que la zone de travail soit propre et bien éclairée. Les risques d'accident sont plus élevés quand on travaille dans un endroit encombré ou sombre.
- Ne faites pas fonctionner des outils électroportatifs dans les atmosphères explosives, notamment en présence de liquides, gaz ou poussières inflammables. Les outils électroportatifs produisent des étincelles susceptibles d'enflammer les poussières ou fumées.
- Tenez les enfants et spectateurs à distance pendant le fonctionnement d'un outil électroportatif. Toute distraction peut entraîner une perte de contrôle de l'outil.

SÉCURITÉ ÉLECTRIQUE

- La fiche de l'outil électroportatif doit être appropriée à la prise de courant. Ne modifiez en aucune circonstance la fiche. N'employez pas d'adaptateur avec les outils électroportatifs et une fiche reliée à la terre. L'utilisation de fiches non

modifiées et de prises appropriées réduira le risque de décharge électrique.

- b. Évitez tout contact corporel avec des éléments reliés à la terre, tels que tuyauterie, radiateurs, cuisinières, réfrigérateurs. La mise à la terre du corps accroît le risque de décharge électrique.
- c. Conservez les outils électroportatifs à l'abri de la pluie et de l'humidité. La pénétration d'eau dans un outil électroportatif accroît le risque de décharge électrique.
- d. Veillez à ne pas endommager le cordon d'alimentation. N'utilisez jamais le cordon d'alimentation pour transporter ou débrancher l'outil électroportatif. Éloignez le cordon d'alimentation de la chaleur, des huiles, des arêtes vives ou des pièces en mouvement. Les cordons endommagés ou emmêlés accroissent le risque de décharge électrique.
- e. Lors de l'utilisation d'un outil électroportatif à l'extérieur, employez une rallonge appropriée. L'utilisation d'un cordon conçu pour l'extérieur réduit le risque de décharge électrique.
- f. Si vous devez utiliser un outil électroportatif dans un endroit humide, utilisez une alimentation protégée par un disjoncteur avec mise à la terre. L'utilisation d'un tel dispositif réduit le risque de choc électrique.

SÉCURITÉ PERSONNELLE

- a. Restez vigilant, soyez attentif à ce que vous faites et faites preuve de bon sens lorsque vous utilisez un outil électroportatif. Ne vous servez pas de ce type d'outil lorsque vous êtes fatigué ou sous l'emprise d'une drogue quelconque, de l'alcool ou d'un médicament. Un instant d'inattention risque, dans ce cas, d'entraîner des blessures corporelles graves.
- b. Portez des équipements de protection individuelle. Portez toujours un équipement de protection oculaire. Les équipements de protection, tels que masque antipoussière, chaussures de sécurité antidérapantes, casque ou protection auditive, employés dans les cas appropriés réduiront les blessures corporelles.
- c. Évitez tout démarrage accidentel. Vérifiez que l'interrupteur est en position d'arrêt avant de raccorder l'outil à une source d'alimentation et/ou un pack de batteries, de le prendre ou de le porter. Le fait de transporter les outils électroportatifs en ayant le doigt sur l'interrupteur ou de brancher des outils avec l'interrupteur sur la position Marche constitue une situation propice aux accidents.
- d. Retirez toute clé de réglage avant de mettre l'outil sous tension. Une clé laissée au contact d'un élément en rotation de l'outil électroportatif peut entraîner des blessures corporelles.
- e. Ne travaillez pas dans une position risquant d'affecter votre équilibre. Conservez à tout moment un bon appui et un bon équilibre du corps. Vous serez ainsi plus en mesure de garder le contrôle de l'outil électroportatif dans les situations imprévues.
- f. Portez une tenue appropriée. Ne portez pas de vêtements amples ni de bijoux. N'approchez jamais les cheveux, vêtements ou gants, de pièces en mouvement. Des vêtements amples, bijoux ou cheveux longs peuvent être happés par des pièces en mouvement.
- g. En présence de dispositifs d'aspiration et de collecte des poussières, vérifiez que ceux-ci sont branchés et correctement employés. L'aspiration peut réduire les risques liés à la poussière.
- h. Restez vigilant et ne pas négligez les principes de sécurité de l'outil sous prétexte que vous avez

l'habitude de l'utiliser. Une fraction de seconde d'inattention peut provoquer une blessure grave.

PRÉCAUTIONS À PRENDRE LORS DE L'UTILISATION DE L'OUTIL ÉLECTROPORTATIF

- a. Ne forcez pas sur l'outil électroportatif. Employez l'outil correspondant à votre application. L'outil électroportatif approprié accomplira sa tâche plus efficacement et plus sûrement s'il est utilisé à la vitesse pour laquelle il a été conçu.
- b. N'utilisez pas l'outil électroportatif si l'interrupteur ne fonctionne pas correctement. Un outil dont l'interrupteur est défectueux est dangereux et doit être réparé.
- c. Débranchez la prise de la source d'alimentation et/ou retirez le pack de batterie de l'outil électroportatif, s'il est amovible, avant d'effectuer des réglages, de changer d'accessoires ou de ranger l'outil. Ces précautions réduisent le risque d'un démarrage accidentel de l'outil.
- d. Les outils électroportatifs doivent être rangés hors de portée des enfants et ne pas être utilisés par des personnes ne connaissant pas leur fonctionnement ou les présentes instructions. Entre les mains d'utilisateurs inexpérimentés, les outils électroportatifs sont dangereux.
- e. Assurez un entretien correct de l'outil électroportatif et des accessoires. Vérifiez la présence d'un défaut d'alignement ou grippage des pièces mobiles, de pièces cassées ou de toute autre condition pouvant altérer le fonctionnement des outils électroportatifs. Faites réparer un outil électroportatif endommagé avant de l'utiliser. Nombre d'accidents sont provoqués par des outils électroportatifs mal entretenus.
- f. Les outils de coupe doivent être affûtés et propres. S'ils sont bien entretenus, les outils avec des arêtes de coupe affûtées sont moins susceptibles d'accrocher et sont plus faciles à contrôler.
- g. Utilisez l'outil électroportatif, ses accessoires et embouts, etc. conformément aux présentes instructions, en particulier en tenant compte des conditions de travail et de la nature du travail à réaliser. L'utilisation de l'outil électroportatif pour d'autres applications que celles prévues présente un risque.
- h. Il faut que les poignées et les surfaces de préhension restent sèches, propres et dépourvues d'huiles et de graisses. Des poignées et des surfaces de préhension glissantes rendent impossibles la manipulation et le contrôle en toute sécurité de l'outil dans les situations inattendues.

RÉPARATION

- a. Confiez la réparation de votre outil électroportatif à un réparateur qualifié qui utilise exclusivement des pièces de rechange identiques. Vous garantirez ainsi la fiabilité de l'outil électroportatif.

AVERTISSEMENTS DE SÉCURITÉ SPÉCIFIQUES DE LA MACHINE

AVERTISSEMENTS DE SÉCURITÉ CONCERNANT LES SCIES SAUTEUSES

- a. Tenez l'outil électroportatif par ses surfaces de préhension isolantes lorsque vous effectuez une opération lors de laquelle l'accessoire de découpe est susceptible d'entrer en contact avec des fils électriques dissimulés ou son propre câble. Le contact avec un fil sous tension peut également mettre

sous tension les parties métalliques de l'outil électrique et provoquer une décharge électrique sur l'opérateur.

- b. **Utilisez des serre-joints ou tout autre moyen pratique permettant de fixer et de soutenir la pièce à travailler sur une plate-forme stable.** Le maintien de la pièce à la main ou contre votre corps entraîne son instabilité et peut entraîner une perte de contrôle.
- c. **Gardez les mains à distance de la zone de sciage.** Ne passez pas les mains sous la pièce à travailler. Tout contact avec la lame de scie peut provoquer des blessures.
- d. **Appliquez l'outil électroportatif sur la pièce à travailler uniquement lorsqu'il est allumé.** Dans le cas contraire, il existe un danger de contrecoup si jamais l'outil de coupe se coince dans la pièce à travailler.
- e. **Une fois la découpe effectuée, arrêtez l'outil et extrayez la lame de scie de la découpe une fois qu'elle s'est immobilisée.** Vous évitez ainsi tout contrecoup et pouvez reposer l'outil en toute sécurité.
- f. **Utilisez uniquement des lames de scie aiguisées en parfait état.** Des lames de scie voilées ou émoussées peuvent se briser ou entraîner un contrecoup.
- g. **N'arrêtez pas le mouvement de la lame de scie en appliquant une pression latérale après avoir éteint l'outil.** Cette action peut entraîner un endommagement, une cassure ou un contrecoup de la lame.
- h. **Utilisez des détecteurs appropriés afin de déceler des conduites cachées ou consulter les entreprises d'approvisionnement locales.** Un contact avec des lignes électriques peut provoquer un incendie ou une électrocution. L'endommagement d'une conduite de gaz peut provoquer une explosion. La perforation d'une conduite d'eau peut provoquer des dégâts matériels et une électrocution.
- i. **Bloquez la pièce à travailler.** Une pièce à travailler maintenue par des dispositifs de serrage ou dans un étau est fixée de manière plus sûre que tenue dans les mains.
- j. **Maintenez le poste de travail propre.** Les mélanges de matériaux sont particulièrement dangereux. Les poussières de métaux légers peuvent être explosives ou inflammables.
- k. **Attendez toujours l'arrêt complet de l'outil avant de le reposer.** L'insert de l'outil peut se bloquer et entraîner une perte de contrôle de l'outil électroportatif.
- l. **N'utilisez jamais l'outil si son câble est endommagé. Ne touchez pas le câble endommagé et débranchez la prise électrique si le câble est endommagé en cours de tâche.** Des câbles endommagés accroissent le risque d'électrocution.

AVERTISSEMENTS DE SÉCURITÉ GÉNÉRAUX CONCERNANT LE SUPPORT DE TRAVAIL

- a. **Débranchez la prise de la source d'alimentation ou le pack de batterie de l'outil électroportatif avant d'effectuer tout réglage ou de changer d'accessoire.** Une mise en marche inopinée de l'outil électroportatif peut occasionner des accidents.
- b. **Assemblez correctement le support de travail avant de monter l'outil.** Un assemblage correct est essentiel afin d'éviter tout risque d'effondrement.
- c. **Fixez fermement l'outil électroportatif sur le support de travail avant toute utilisation.** Un mouvement inopiné de l'outil sur le support de travail peut vous faire perdre le contrôle.
- d. **Placez le support de travail sur une surface solide, plane et de niveau.** Si vous travaillez sur un support susceptible de bouger ou de basculer, l'outil électroportatif et la pièce à travailler deviennent

instables et ne peuvent être contrôlés en toute sécurité.

▲ PORTEZ DES PROTECTIONS AUDITIVES (l'exposition aux bruits peut provoquer une perte de l'audition)

▲ NE TRAVAILLEZ PAS SUR DES MATÉRIAUX CONTENANT DE L'AMIANTE (l'amiante est considéré comme étant cancérigène)

▲ PRENEZ DES MESURES DE PROTECTION LORSQUE DES POUSSIÈRES NUISIBLES À LA SANTÉ, INFLAMMABLES OU EXPLOSIVES PEUVENT ÊTRE GÉNÉRÉES LORS DU TRAVAIL (certaines poussières sont considérées comme cancérigènes) ; portez un masque anti-poussières et utilisez un dispositif d'aspiration de poussières/de copeaux s'il est possible de raccorder un tel dispositif.

SPÉCIFICATIONS

Numéro du modèle	MS20
Alimentation	70 W
Tension	220-240 V~50/60 Hz
Régime à vide	1500-2250 tr/min
Profondeur de coupe maximale	18 mm
Profondeur du col de cygne	250 mm
Longueur de course	8 mm
Poids	1,1 kg

Utilisez des rallonges entièrement déroulées et fiables d'une intensité de 5 A.

Vérifiez toujours que la tension d'alimentation est identique à celle indiquée sur la plaque signalétique de l'outil.

GÉNÉRALITÉS ⑥

L'outil Moto-Saw est une scie à découper 2 en 1 compacte simple à utiliser. Il peut être utilisé en mode stationnaire, l'outil est fixé dans la base, ou en mode portatif. Cet outil est conçu pour effectuer des découpes droites et courbes précises dans différents matériaux incluant du bois souple ou dur, des planches composites, du bois laminé, du PVC ou du métal en feuilles souples à l'aide des accessoires adaptés recommandés par Dremel.

- A. Bouton de déverrouillage de la semelle de retenue
- B. Semelle de retenue
- C. Manette de verrouillage du guide
- D. Rail de guidage
- E. Base
- F. Prise d'aspiration des poussières
- G. Interrupteur marche/arrêt
- H. Variateur de vitesse
- I. Serre-joints
- J. Orifice de fixation permanent
- K. Bouton de déverrouillage rapide
- L. Manette de changement rapide d'accessoire

UTILISATION

▲ DÉBRANCHEZ LA PRISE DE LA SOURCE D'ALIMENTATION AVANT TOUT MONTAGE, RÉGLAGE OU CHANGEMENT D'ACCESSOIRES. Ces précautions réduisent le risque d'un démarrage accidentel de l'outil.

EXTRACTION DES POUSSIÈRES

Cet outil est équipé d'une prise d'aspiration pour l'extraction des poussières. Pour utiliser cette fonctionnalité, insérez un tuyau d'aspirateur dans cette prise.

MODE STATIONNAIRE

L'utilisation de l'outil en mode stationnaire vous offre la possibilité de découper différents matériaux en maintenant votre pièce de travail des deux mains. Ce mode vous permet de réaliser différents projets créatifs ou d'ébénisterie de manière simple et précise.

1. Vérifiez que la base est fermement fixée à une surface de travail plane à l'aide des dispositifs de fixation fournis (7). Cette base peut être fixée de manière permanente à un établi à l'aide de vis standard via les 2 orifices situés sur le dessus de la base.
Veillez ne pas vous asseoir ou vous appuyer sur la base. La base est destinée à soutenir les matériaux découpés.
2. Une fois la base fixée, placez-y l'outil : passez d'abord le câble dans l'orifice de la base, puis emboîtez simplement l'unité dans la base (8). L'outil est correctement fixé lorsque l'unité portative et la base stationnaire sont parfaitement emboîtées.
Utilisez exclusivement l'outil Dremel Moto-Saw dans sa base. Les autres outils électroportatifs ne sont pas conçus pour être utilisés avec cette base.
3. Une fois la lame de la scie insérée selon l'illustration (9), l'outil est prêt à être utilisé.
4. Démarrez l'outil et laissez-le atteindre sa vitesse maximale avant d'entrer en contact avec la pièce à travailler.
Ne basculez pas l'interrupteur entre les positions marche et arrêt lorsque l'outil est sous charge.

Pressez la semelle de retenue sur votre pièce à travailler pour l'empêcher de tressauter.

Afin de limiter les vibrations, maintenez votre pièce à travailler avec les deux mains à proximité de la lame de la scie.

Ne poussez pas trop fortement votre pièce à travailler contre la lame de la scie. Ces lames doivent être utilisées délicatement. Par conséquent, il faut laisser à la lame le temps de découper les matériaux. Une pression excessive sur la pièce à travailler entraînera une cassure prématurée de la lame.

Avant d'entamer votre travail, effectuez quelques tests de découpes sur une chute.

MODE PORTATIF

L'utilisation de l'outil en mode portatif est conseillé lorsque la pièce de travail est trop volumineuse ou fixe, ce qui empêche de la placer sur la base. Les opérations en mode portatif incluent habituellement des travaux de chantournage ou la découpe de petites pièces. En mode portatif, l'outil fait office de scie à chantourner/découper.

1. Maintenez enfoncé le bouton de déverrouillage rapide lors du démontage de l'outil de sa base (10).
2. Une fois démonté, il peut être tenu à la main (11).
Lors des découpes en mode portatif, veuillez tenir fermement l'outil.
3. Essayez d'aligner la surface de l'outil contre le bas de votre pièce à travailler pour réduire les vibrations (12).

GUIDE DE BORD (13)

Le guide de bord peut être inséré dans l'un des rails de guidage.

Cet accessoire peut être utilisé comme poussoir ou guide de bord. Lorsqu'il est utilisé en tant que poussoir, il n'est

pas nécessaire de le verrouiller dans les rails à l'aide de la manette de verrouillage de guide.

Le guide peut être utilisé à différents angles. Pour régler cet angle, desserrez la vis à oreille du guide et faites pivoter la tête dans la position souhaitée.

Le guide de bord peut être verrouillé en tournant la manette de déverrouillage de guide. Cette action empêchera le guide de glisser dans le rail.

ENTRETIEN ET NETTOYAGE

⚠ CET OUTIL NE CONTIENT AUCUNE PIÈCE REMPLAÇABLE PAR L'UTILISATEUR. TOUTE OPÉRATION D'ENTRETIEN PRÉVENTIF EFFECTUÉE PAR DU PERSONNEL NON AUTORISÉ PEUT ENTRAÎNER LE RACCORDEMENT INCORRECT DE COMPOSANTS INTERNES ET PRÉSENTER DES RISQUES GRAVES.

Pour nettoyer efficacement l'outil, utilisez de l'air comprimé. **Dans ce cas, portez systématiquement des lunettes de sécurité.**

⚠ POUR ÉVITER LES ACCIDENTS, DÉBRANCHEZ TOUJOURS L'OUTIL ET/OU LE CHARGEUR DE L'ALIMENTATION SECTEUR AVANT LE NETTOYAGE.

Les orifices de ventilation et les curseurs des interrupteurs doivent être tenus propres et exempts de corps étrangers. Ne tentez pas de nettoyer l'outil en insérant des objets pointus à travers les orifices de ventilation.

⚠ CERTAINS DÉTERGENTS ET SOLVANTS ENDOMMAGENT LES PIÈCES EN PLASTIQUE. Il s'agit notamment des produits suivants : le tétrachlorure de carbone, les solvants chlorés, l'ammoniaque et les détergents domestiques qui contiennent de l'ammoniaque.

RÉPARATION ET GARANTIE

Nous recommandons de confier les opérations d'entretien de l'outil à un Centre Technique Dremel.

Ce produit Dremel fait l'objet d'une garantie conforme aux réglementations légales en vigueur dans votre pays ; les dommages résultant de l'usure normale, d'une surcharge ou d'une utilisation inappropriée sont exclus de la garantie. En cas de réclamation, envoyez l'outil ou le chargeur non démonté avec le justificatif d'achat à votre revendeur.

CONTACTER DREMEL

Pour plus d'informations sur le service et la garantie, la gamme de produits, le support technique et l'assistance téléphonique de la société Dremel, rendez-vous sur le site www.dremel.com.

BRUIT ET VIBRATION

Niveau de pression sonore (écart-type 3 dB) dB(A)	76,0
Niveau de puissance sonore (écart-type 3 dB) dB(A)	87,0
Vibration (coupe d'acier doux) m/s ²	7,7
Vibration (coupe de panneau de particules) m/s ²	8,4
Vibration Incertitude K m/s ²	1,5

REMARQUE : Les valeurs totales déclarées pour les vibrations et les valeurs déclarées pour les émissions sonores ont été mesurées selon une méthode de test standard, permettant de comparer les outils entre eux. Elles peuvent également être utilisées dans une évaluation préliminaire d'exposition.

Les vibrations et les émissions sonores mesurées lors de l'utilisation de l'outil électroportatif peuvent différer de la valeur totale déclarée selon la manière dont vous l'utilisez. Estimez l'exposition à ces dernières dans les conditions réelles d'utilisation, qui vous permettra d'identifier les mesures de sécurité à prendre en matière de protection personnelle (en tenant compte de l'ensemble des parties du cycle d'exploitation, telles que le moment où l'outil est éteint et celui où il est en veille, en plus de celui où il est activé).

MISE AU REBUT



L'outil, les accessoires et l'emballage doivent faire l'objet d'un tri sélectif à des fins de recyclage.

SEULEMENT POUR LES PAYS DE L'UNION EUROPÉENNE ⁽⁶⁾

Conformément à la directive européenne 2012/19/CE relative à la mise au rebut des équipements électriques et électroniques, et à sa transposition dans le droit national, les outils électroportatifs inutilisables doivent faire l'objet d'une collecte distincte et être mis au rebut d'une manière respectueuse pour l'environnement.

IT

SIMBOLI USATI

- ① LEGGERE QUESTE ISTRUZIONI
- ② USARE PROTEZIONE ACUSTICA
- ③ USARE PROTEZIONE PER GLI OCCHI
- ④ STRUTTURA DI CLASSE II
- ⑤ NON GETTARE ELETTROUTENSILI DISMESSI TRA I RIFIUTI DOMESTICI

ISTRUZIONI GENERALI DI SICUREZZA PER ELETTROUTENSILI

ATTENZIONE ATTENERSI A TUTTE LE AVVERTENZE DI PERICOLO, ISTRUZIONI, RAPPRESENTAZIONI E DATI CHE SI RICEVONO INSIEME ALL'ELETTROUTENSILE.

In caso di mancata osservanza delle seguenti istruzioni vi è il pericolo di provocare una scossa elettrica, di sviluppare incendi e/o di provocare seri incidenti. Conservare tutte le avvertenze e le istruzioni per consultazioni future. Il termine "elettroutensile" nelle avvertenze fa riferimento allo strumento azionato tramite corrente elettrica (dotato di cavo) o allo strumento azionato a batteria (senza cavo).

SICUREZZA DELL'AREA DI LAVORO

- a. L'area di lavoro deve essere sempre pulita e ben illuminata. Le aree di lavoro in disordine o non illuminate favoriscono gli incidenti.
- b. Evitare d'impiegare l'elettroutensile in ambienti soggetti al rischio di esplosioni e nei quali si trovino liquidi, gas o polveri infiammabili. Gli elettroutensili producono scintille che possono far infiammare la polvere o i gas.

- c. Tenere lontani i bambini e terze persone durante l'impiego dell'elettroutensile. *Eventuali distrazioni potranno comportare la perdita del controllo sull'elettroutensile.*

SICUREZZA ELETTRICA

- a. La spina per la presa di corrente dovrà essere adatta alla presa. Evitare assolutamente di apportare modifiche alla spina. Non impiegare spine adattatrici assieme ad elettroutensili con collegamento a terra. *Le spine non modificate e le prese adatte riducono il rischio di scosse elettriche.*
- b. Evitare il contatto fisico con superfici collegate a terra, come tubi, radiatori, cucine elettriche e frigoriferi. *Sussiste un maggior rischio di scosse elettriche nel momento in cui il corpo è messo a massa.*
- c. Custodire l'elettroutensile al riparo dalla pioggia o dall'umidità. *L'eventuale infiltrazione di acqua in un elettroutensile aumenterà il rischio di scosse elettriche.*
- d. Non usare il cavo per scopi diversi da quelli previsti. Non usare mai il cavo per trasportare o trainare l'elettroutensile oppure per togliere la spina dalla presa di corrente. Non avvicinare il cavo a fonti di calore, olio, spigoli taglienti e parti mobili. *I cavi danneggiati o aggrovigliati aumentano il rischio di scosse elettriche.*
- e. Qualora si usi l'elettroutensile all'aperto, impiegare cavi di prolunga omologati per l'impiego all'esterno. *L'uso di un cavo omologato per l'impiego all'esterno riduce il rischio di scosse elettriche.*
- f. Qualora si usi l'elettroutensile in un luogo umido, servirsi di un circuito protetto per il dispositivo di corrente residua (RCD). *L'uso di un RCD riduce il rischio di scosse elettriche.*

SICUREZZA PERSONALE

- a. È indispensabile essere sempre vigili, concentrarsi su ciò che si sta facendo ed esercitare il buon senso quando si utilizza un elettroutensile. Non utilizzare l'utensile in caso di stanchezza o sotto l'effetto di droghe, bevande alcoliche e medicinali. *Un attimo di distrazione durante l'uso dell'elettroutensile potrebbe causare lesioni personali gravi.*
- b. Indossare i dispositivi di protezione individuale. Indossare sempre una protezione per gli occhi. *Indossando dispositivi di protezione come mascherina antipolvere, scarpe di sicurezza antiscivolo, casco rigido oppure protezione acustica in base alle condizioni, si ridurrà il rischio di lesioni personali.*
- c. Impedire l'avvio accidentale. Verificare che l'interruttore sia spento prima di collegare l'alimentazione e/o la batteria oppure prima di sollevare o trasportare l'utensile. *Il fatto di tenere il dito sopra all'interruttore o di collegare l'elettroutensile acceso all'alimentazione di corrente favorisce gli incidenti.*
- d. Togliere tutte le chiavi di regolazione prima di accendere l'utensile. *Una chiave lasciata connessa a una parte rotante della macchina può provocare lesioni personali.*
- e. Non assumere posizioni scomode. Mantenere sempre un punto d'appoggio ed un equilibrio adeguati. *Ciò consentirà di controllare meglio l'elettroutensile in situazioni impreviste.*
- f. Indossare vestiti adeguati. Non indossare vestiti larghi, né oggetti di gioielleria/bigiotteria. Tenere i capelli, i vestiti ed i guanti lontani dalle parti mobili. *Vestiti larghi, gioielli o capelli lunghi potrebbero impigliarsi nelle parti mobili.*
- g. Se sono previsti dispositivi per la connessione

a impianti di estrazione e raccolta di polveri, verificare che siano collegati e utilizzati correttamente. La raccolta della polvere contribuisce a ridurre i rischi correlati alla presenza di polvere.

- h. Una volta presa confidenza con gli utensili, evitare di trascurare le norme di sicurezza. Una mancanza di attenzione può causare gravi lesioni in una frazione di secondo.

UTILIZZO E CURA DEGLI ELETTROUTENSILI

- a. Non sforzare l'elettro utensile. Utilizzare l'elettro utensile adatto all'applicazione. L'elettro utensile realizzerà un lavoro migliore e più sicuro alla potenza per cui è previsto.
- b. Non utilizzare l'elettro utensile se l'interruttore non determina l'attivazione e la disattivazione. Un elettro utensile non controllabile tramite interruttore è pericoloso e deve essere riparato.
- c. Scollegare la spina dall'alimentazione e/o rimuovere la batteria dall'elettro utensile, se removibile, prima di eseguire qualunque regolazione, sostituire gli accessori o riporre gli elettro utensili. Tali misure di sicurezza preventive ridurranno il rischio di avvio accidentale dell'elettro utensile.
- d. Quando gli elettro utensili non vengono utilizzati, conservarli fuori dalla portata dei bambini e non consentirne l'uso a persone che non conoscono l'elettro utensile e le presenti istruzioni per il suo funzionamento. Gli elettro utensili sono pericolosi se utilizzati da persone inesperte.
- e. Effettuare la manutenzione degli elettro utensili e degli accessori. Verificare l'assenza di disallineamenti o inceppamenti nelle parti mobili, l'assenza di rotture delle parti e qualsiasi altra condizione che possa compromettere il funzionamento degli elettro utensili. Prima di iniziare l'impiego, far riparare le parti danneggiate. Numerosi incidenti derivano dalla scadente manutenzione degli elettro utensili.
- f. Mantenere gli utensili da taglio sempre affilati e puliti. Gli utensili da taglio sottoposti alla corretta manutenzione e con taglienti affilati presentano una minore probabilità di inceppamento e sono più facili da controllare.
- g. Utilizzare l'elettro utensile, gli accessori, le punte, ecc. in conformità con le presenti istruzioni, tenendo presenti le condizioni di lavoro e le operazioni da eseguire. L'impiego dell'elettro utensile per usi diversi da quelli consentiti potrebbe dar luogo a situazioni di pericolo.
- h. Mantenere impugnature e superfici di presa asciutte, pulite e prive di olio e grasso. Impugnature e superfici di presa scivolose non consentono di manipolare e controllare l'utensile in caso di situazioni inaspettate.

ASSISTENZA (SERVICE)

- a. Far riparare l'elettro utensile da personale specializzato e solo impiegando pezzi di ricambio identici. Tali accorgimenti consentiranno di conservare la sicurezza dell'elettro utensile.

AVVERTENZE DI SICUREZZA SPECIFICHE DELL'ELETTROUTENSILE

AVVERTENZE DI SICUREZZA RELATIVE AI SEGHETTI ALTERNATIVI

- a. Quando si eseguono operazioni in cui è possibile che l'accessorio da taglio tocchi cavi elettrici nascosti oppure il suo stesso cavo elettrico, tenere

l'elettro utensile afferrandolo in corrispondenza delle superfici di impugnatura isolate. Il contatto dell'accessorio da taglio con un cavo sotto tensione può mettere sotto tensione anche parti metalliche dell'elettro utensile, causando una scossa elettrica all'operatore.

- b. Usare morsetti o un altro metodo pratico per fissare e supportare il pezzo in lavorazione su una piattaforma stabile. Se il pezzo viene tenuto in mano o appoggiato a una parte del corpo, può diventare instabile e far perdere il controllo.
- c. Tenere le mani sempre lontane dall'area di taglio della sega. Non raggiungere da sotto il pezzo in lavorazione. Il contatto con la lama della sega può determinare lesioni.
- d. Applicare l'elettro utensile al pezzo in lavorazione solo quando è attivato. In caso contrario, si rischia il contraccolpo quando l'utensile da taglio si inserisce nel pezzo in lavorazione.
- e. Al termine del taglio, spegnere l'utensile e successivamente estrarre la lama della sega dal taglio, solo dopo che si sarà arrestata completamente. In tal modo sarà possibile evitare il contraccolpo e mettere giù l'utensile in modo sicuro.
- f. Utilizzare solo lame di sega affilate e prive di difetti. Le lame di sega piegate o non affilate possono rompersi o determinare un contraccolpo.
- g. Non frenare la lama della sega per giungere all'arresto esercitando una pressione laterale dopo lo spegnimento. È possibile che la lama della sega ne risulti danneggiata, si rompa o determini un contraccolpo.
- h. Al fine di individuare la presenza di linee di utenze nascoste nell'area di lavoro, servirsi di rilevatori appositi o rivolgersi alla locale società erogatrice. Un contatto con linee elettriche può provocare incendi e scosse elettriche. Eventuali danneggiamenti a tubature di gas possono provocare un'esplosione. La penetrazione in una conduttura idrica provoca danni ai beni o potrebbe scatenare scosse elettriche.
- i. Fissare il pezzo in lavorazione. Un pezzo in lavorazione bloccato con dispositivi di serraggio oppure una morsa da banco si mantiene fisso più saldamente rispetto alla presa manuale.
- j. Mantenere pulito il proprio luogo di lavoro. Le miscele di materiali sono particolarmente pericolose. La polvere di leghe leggere può infiammarsi o esplodere.
- k. Attendere sempre che l'utensile si arresti completamente prima di metterlo giù. L'inserimento dell'utensile può incepparsi e causare una perdita di controllo sull'elettro utensile.
- l. Non utilizzare mai l'utensile il cui cavo sia danneggiato. Non toccare il cavo danneggiato e non staccare la spina dell'alimentazione di rete quando il cavo subisce un danno durante il funzionamento. I cavi danneggiati aumentano il rischio di scosse elettriche.

AVVERTENZE DI SICUREZZA GENERALI RELATIVE AL SUPPORTO DI LAVORO

- a. Scollegare dall'elettro utensile la spina della sorgente di alimentazione e/o la batteria prima di effettuare qualunque regolazione o sostituzione di accessori. L'avvio accidentale dell'elettro utensile costituisce la causa di alcuni incidenti.
- b. Assemblare correttamente il supporto di lavoro prima di montare l'utensile. Per evitare il rischio di crolli, è importante procedere correttamente all'assemblaggio.
- c. Fissare saldamente l'elettro utensile al supporto di lavoro prima dell'uso. Lo spostamento

dell'elettrotensile sul supporto di lavoro può causare la perdita del controllo sull'utensile stesso.

- d. **Posizionare il supporto di lavoro su una superficie solida, piana e orizzontale.** Se il supporto di lavoro può spostarsi od oscillare, non è possibile esercitare un controllo costante e sicuro sull'elettrotensile o sul pezzo in lavorazione.

A **INDOSSARE CUFFIE DI PROTEZIONE** (l'effetto del rumore può provocare la perdita dell'udito)

A **NON LAVORARE MAI CON MATERIALI CONTENENTI AMIANTO** (l'amianto è ritenuto materiale cancerogeno)

A **ADOPTARE PROVVEDIMENTI APPROPRIATI QUALORA DURANTE IL LAVORO DOVESSERO SVILUPPARI POLVERI DANNOSI PER LA SALUTE, INFIAMMABILI OPPURE ESPLOSIVE** (alcune polveri sono considerate cancerogene). Indossare una maschera di protezione contro la polvere ed utilizzare un sistema di aspirazione di polvere/truciol, se collegabile.

DATI TECNICI

Numero modello **MS20**
Ingresso. 70 W
Tensione 220-240 V ~ 50/60 Hz
Velocità a vuoto. 1.500-2.250/min
Profondità di taglio max 18 mm
Profondità del collo d'oca 250 mm
Lunghezza corsa. 8 mm
Peso 1,1 kg

Utilizzare esclusivamente cavi di prolunga completamente svolti con portata minima di 5 amp. Controllare sempre che l'alimentazione corrisponda al valore indicato sulla targhetta dell'utensile.

DATI GENERALI ⑥

La motosega è una sega a svolgere 2-in-1 compatta e molto facile da utilizzare. Può essere utilizzata in modalità fissa, con l'utensile agganciato nella sua base, oppure in modalità portatile. Questo utensile è destinato all'esecuzione di tagli precisi dritti e curvi in vari materiali, tra cui legno dolce, legno duro, pannelli composti, laminati, PVC o lamiera metallica, mediante gli accessori applicabili raccomandati da Dremel.

- A. Pulsante rilascio piedino di pressione
- B. Piedino di pressione
- C. Leva di blocco guida
- D. Binario
- E. Base
- F. Porta per polvere
- G. Interruttore on/off
- H. Interruttore selettore di velocità
- I. Morso di fissaggio
- J. Foro di fissaggio permanente
- K. Pulsante rilascio rapido
- L. Leva di cambio rapido accessori

USO

A **SCOLLEGARE LA SPINA DALL'ALIMENTAZIONE PRIMA DI EFFETTUARE QUALUNQUE ASSEMBLAGGIO, REGOLAZIONE O SOSTITUZIONE DI ACCESSORI.** Tali misure di sicurezza preventive riducono il rischio di avvio accidentale dell'utensile.

ESTRAZIONE DELLA POLVERE

L'utensile è dotato di una porta per l'estrazione della polvere. Per avvalersi di tale funzione, applicare un tubo di aspirapolvere alla porta per la polvere.

MODALITÀ FISSA

L'utilizzo dell'utensile in modalità fissa consente la libertà di tagliare diversi materiali tenendo con entrambe le mani il pezzo in lavorazione. In tal modo, è possibile realizzare facilmente e con precisione progetti per hobby o di lavoro su legno.

1. Verificare che la base sia saldamente montata su una superficie di lavoro piana con l'ausilio delle morse in dotazione ⑦. È possibile fissare in modo permanente la base a un banco di lavoro servendosi di normali viti da inserire nei due fori presenti sulla parte superiore della base.
Non sedersi o appoggiarsi sulla base. La base è destinata a sostenere i materiali da tagliare.
2. Dopo aver fissato la base, agganciarvi l'utensile: innanzitutto far avanzare il cavo attraverso il foro della base, quindi far semplicemente scattare l'utensile nella base stessa ⑧. L'utensile è agganciato saldamente se l'utensile portatile e la base fissa sono a filo.
Nella base utilizzare esclusivamente la motosega Dremel. Non è previsto l'uso di altri elettrotensili con tale base.
3. Dopo aver inserito la lama della sega come illustrato ⑨, l'utensile è pronto a funzionare.
4. Avviare l'utensile e, prima di effettuare il contatto con il pezzo in lavorazione, attendere che raggiunga la velocità giusta.
Non attivare e disattivare l'interruttore mentre l'utensile è sotto carico.

Premere il piedino di pressione sul pezzo in lavorazione per evitarne il rimbalzo.

Per ridurre al minimo le vibrazioni, tenere con due mani il pezzo in lavorazione in prossimità della lama della sega. Non spingere con troppa energia il pezzo in lavorazione contro le lame della sega. Queste lame sono destinate a un uso delicato. Pertanto è importante concedere alla lama il tempo necessario a tagliare i materiali. Una pressione eccessiva sul pezzo in lavorazione determinerà una tranciatura precoce della lama.

Prima di iniziare a lavorare sul progetto, effettuare qualche taglio di prova su materiale di scarto.

MODALITÀ PORTATILE

L'utilizzo dell'utensile in modalità portatile è da preferire quando il pezzo in lavorazione abbia dimensioni eccessivamente grandi oppure sia fisso e, pertanto, non collocabile sulla base. Tra le operazioni che generalmente si effettuano in modalità portatile rientrano i trafori o il taglio di materiali in pezzi più piccoli. In modalità portatile, l'utensile funziona come sega da traforo.

1. Mentre si distacca l'utensile dalla sua base, mantenere premuto il pulsante di rilascio rapido ⑩.
2. È possibile tenere in mano l'utensile, dopo il suo distacco ⑪. **Durante il taglio in modalità portatile, è indispensabile mantenere una presa salda sull'utensile.**
3. Per ridurre le vibrazioni, provare ad allineare la superficie dell'utensile rispetto alla parte inferiore del pezzo in lavorazione ⑫.

GUIDA BORDI ⑬

La guida bordi è utilizzabile su qualsiasi binario. È possibile servirsi di questo complemento con funzioni di spingitoio oppure come guida bordi/supporto. Se viene

utilizzato come spingitoio, non è necessario bloccarlo sui binari con la leva di blocco guida.
 È possibile utilizzare la guida in angoli diversi. Per regolare l'angolo, allentare la vite ad alette sulla guida e ruotare la testa fino alla posizione desiderata.
 È possibile bloccare la guida bordi in sede ruotando la leva di blocco guida. Tale operazione impedirà alla guida di scorrere nel binario.

MANUTENZIONE E PULIZIA

⚠ ALL'INTERNO NON VI SONO COMPONENTI SU CUI L'UTENTE POSSA ESEGUIRE INTERVENTI DI MANUTENZIONE. LA MANUTENZIONE PREVENTIVA ESEGUITA DA PERSONALE NON AUTORIZZATO PUÒ CAUSARE L'ERRATO POSIZIONAMENTO DI COMPONENTI E DEI CAVI INTERNI CON POSSIBILI GRAVI RISCHI.

L'utensile può essere pulito a fondo usando aria compressa. **Quando si puliscono gli utensili con aria compressa, indossare sempre occhiali di sicurezza.**

⚠ PER EVITARE INCIDENTI, SCOLLEGARE SEMPRE L'ELETTROUTENSILE E/O IL CARICABATTERIE DALL'ALIMENTAZIONE PRIMA DELLA PULIZIA

Le aperture di aerazione e le leve degli interruttori devono essere tenute pulite e libere da corpi estranei. Non cercare di pulire inserendo oggetti appuntiti attraverso le aperture.

⚠ ALCUNI DETERGENTI E SOLVENTI DANNEGGIANO LE PARTI IN PLASTICA. *Rientrano in questa categoria: la benzina, il tetracloruro di carbonio, i solventi per la pulizia clorurati, l'ammoniaca e i detersivi per uso domestico contenenti ammoniaca.*

ASSISTENZA E GARANZIA

Raccomandiamo che l'assistenza sugli utensili sia eseguita presso i centri di assistenza autorizzati Dremel. Questo prodotto Dremel è garantito in conformità alle disposizioni pertinenti previste da normative generali/nazionali; eventuali danni dovuti a normale usura, sovraccarico o utilizzo improprio non sono coperti da garanzia.

In caso di reclamo, inviare l'utensile non smontato o il caricabatterie e la prova di acquisto al rivenditore.

CONTATTO DREMEL

Per ulteriori informazioni su assistenza e garanzia, sulla gamma di prodotti Dremel, supporto e numero verde, visitare il sito www.dremel.com.

RUMORE E VIBRAZIONI

Livello di pressione sonora (deviazione standard 3dB) dB(A)	76,0
Livello di potenza sonora (deviazione standard 3dB) dB(A)	87,0
Vibrazioni (taglio di acciaio dolce) m/s ²	7,7
Vibrazioni (taglio di truciolare) m/s ²	8,4
Vibrazioni Incertezza K m/s ²	1,5

N.B.: Il valore totale dichiarato delle vibrazioni e il valore dichiarato delle emissioni acustiche sono stati misurati secondo un metodo di prova standard e possono essere utilizzati per confrontare un utensile con un altro. Potrebbero essere utilizzati anche in una valutazione preliminare dell'esposizione.

Le vibrazioni e le emissioni acustiche generate durante l'utilizzo dell'elettrotensile possono variare rispetto al valore totale dichiarato in base al modo in cui si utilizza l'utensile. Fare una stima dell'esposizione nelle condizioni di utilizzo attuali e, di conseguenza, identificare le misure di sicurezza per la protezione personale (prendendo in considerazione tutte le parti del ciclo di funzionamento come le volte in cui l'utensile viene spento e quando funziona in folle oltre al tempo di azionamento).

SMALTIMENTO

L'utensile, gli accessori e la confezione devono essere classificati per il riciclo a difesa dell'ambiente.

SOLO PER I PAESI DELLA CE ⁽⁶⁾

Conformemente alla direttiva europea 2012/19/CE sui rifiuti di apparecchiature elettriche ed elettroniche (RAEE) e alla legge attuativa nazionale, gli elettrotensili diventati inservibili devono essere raccolti separatamente e smaltiti in modo corretto dal punto di vista ambientale.

NL

GEBRUIKTE SYMBOLEN

- LEES DEZE INSTRUCTIES
- GEBRUIK GEHOORBESCHERMING
- GEBRUIK OOGBESCHERMING
- SAMENSTELLING KLASSE II
- GOOI ELEKTRISCHE GEREEDSCHAPPEN NIET BIJ HET HUISVUIL

GEREEDSCHAP - ALGEMENE VEILIGHEIDSWAARSCHUWINGEN

⚠ LET OP NEEM ALLE WAARSCHUWINGEN, AANWIJZINGEN, AFBEELDINGEN EN GEGEVENS DIE U BIJ HET ELEKTRISCHE GEREEDSCHAP ONTVANGT IN ACHT.

Als u de hierna volgende aanwijzingen niet in acht neemt, kunnen een elektrische schok, brand en/of ernstig letsel het gevolg zijn. Bewaar alle waarschuwingen en instructies als referentiemateriaal. De term "elektrisch gereedschap" in alle onderstaande waarschuwingen duidt op een elektrisch apparaat dat door het net (met een snoer) of door een accu (snoerloos) wordt aangedreven.

VEILIGHEID OP DE WERKPLEK

- Houd uw werkomgeving schoon en goed verlicht. Een rommelige of onverlichte werkomgeving kan tot ongevallen leiden.
- Gebruik het gereedschap niet in een omgeving met explosiegevaar waarin zich brandbare vloeistoffen, brandbare gassen of brandbare stoffen bevinden. Elektrische gereedschappen veroorzaken vonken die stof of dampen tot ontsteking kunnen brengen.
- Houd kinderen en andere personen tijdens het gebruik van het elektrische gereedschap uit de buurt. Indien u wordt afgeleid kunt u de controle over het gereedschap verliezen.

ELEKTRISCHE VEILIGHEID

- De aansluitstekker van het gereedschap moet

- in het stopcontact passen. De stekker mag in geen geval worden veranderd. Gebruik geen adapterstekkers in combinatie met geaarde gereedschappen. *Onveranderde stekkers en passende stopcontacten beperken het risico op een elektrische schok.*
- b. Voorkom aanraking van het lichaam met geaarde oppervlakken, zoals buizen, verwarmingen, fornuizen en koelkasten. *Er bestaat een verhoogd risico op een elektrische schok wanneer uw lichaam geaard is.*
- c. Houd elektrisch gereedschap uit de buurt van regen en vocht. *Het binnendringen van water in het elektrische gereedschap vergroot het risico op een elektrische schok.*
- d. Gebruik de kabel niet voor een verkeerd doel. Gebruik de kabel niet om het gereedschap te dragen of op te hangen of om de stekker uit het stopcontact te trekken. Houd de kabel uit de buurt van hitte, olie, scherpe randen en bewegende delen. *Beschadigde of in de war geraakte kabels vergroten het risico op een elektrische schok.*
- e. Wanneer u buitenshuis met elektrisch gereedschap werkt, dient u alleen verlengkabels te gebruiken die voor gebruik buitenshuis zijn goedgekeurd. *Het gebruik van een voor buitenshuis geschikte verlengkabel beperkt het risico op een elektrische schok.*
- f. Als het gebruik van het apparaat in een vochtige omgeving onvermijdelijk is, dient u een aardlekschakelaar te gebruiken. *Het gebruik van een aardlekschakelaar vermindert het risico op een elektrische schok.*

VEILIGHEID VAN PERSONEN

- a. Wees alert, let goed op wat u doet en ga met verstand te werk bij het gebruik van het elektrische gereedschap. Gebruik het gereedschap niet wanneer u moe bent of onder invloed staat van drugs, alcohol of medicijnen. *Een moment van onoplettendheid bij het gebruik van het gereedschap kan tot ernstige verwondingen leiden.*
- b. Draag persoonlijke beschermende uitrusting. Draag altijd een veiligheidsbril. *Het dragen van persoonlijke beschermende uitrusting zoals een stofmasker, slipvast werkschoenen, een veiligheidshelm of gehoorbescherming, afhankelijk van de aard en het gebruik van het elektrische gereedschap, vermindert het risico op verwondingen.*
- c. Voorkom onbedoeld inschakelen van het gereedschap. Controleer dat het elektrische gereedschap uitgeschakeld is voordat u de stekker en/of de accu aansluit, het gereedschap optilt of verplaatst. *Wanneer u bij het dragen van het gereedschap uw vinger aan de schakelaar hebt of wanneer u het gereedschap ingeschakeld op de stroomvoorziening aansluit, kan dit tot ongevallen leiden.*
- d. Verwijder instelgereedschappen of schroefslutels voordat u het gereedschap inschakelt. *Een instelgereedschap of sleutel in een roterend deel van het gereedschap kan tot verwondingen leiden.*
- e. Overschat uzelf niet. Zorg ervoor dat u stevig staat en steeds in evenwicht blijft. *Daardoor kunt u het gereedschap in onverwachte situaties beter onder controle houden.*
- f. Draag geschikte kleding. Draag geen loshangende kleding of sieraden. Houd haren, kleding en handschoenen uit de buurt van bewegende delen. *Loshangende kleding, lange haren en sieraden kunnen door bewegende delen worden meegenomen.*
- g. Wanneer stofafzuigings- of stofopvangvoorzieningen kunnen worden gemonteerd, dient u zich ervan te verzekeren dat deze zijn aangesloten en juist worden gebruikt. *Het gebruik van stofopvang kan gevaarlijke situaties ten gevolge van stof verminderen.*
- h. Ondanks het feit dat u eventueel heel goed vertrouwd bent met het gebruik van gereedschappen, moet u ervoor zorgen dat u niet nonchalant wordt en veiligheidsvoorschriften voor het gereedschap gaat negeren. *Een onoplettende handeling kan binnen een fractie van een seconde ernstig letsel veroorzaken.*

ZORGVULDIGE OMGANG MET EN ZORGVULDIG GEBRUIK VAN ELEKTRISCHE GEREEDSCHAPPEN

- a. Overbelast het gereedschap niet. Gebruik voor uw werkzaamheden het daarvoor bestemde elektrische gereedschap. *Met het passende elektrische gereedschap werkt u beter en veiliger binnen het aangegeven capaciteitsbereik.*
- b. Gebruik geen elektrisch gereedschap waarvan de schakelaar defect is. *Elektrisch gereedschap dat niet meer kan worden in- of uitgeschakeld, is gevaarlijk en moet worden gerepareerd.*
- c. Trek de stekker uit het stopcontact en/of neem de accu – indien uitneembaar – uit het elektrische gereedschap voordat u het gereedschap instelt, accessoires verwisselt of het gereedschap opbergt. *Deze voorzorgsmaatregel voorkomt onbedoeld starten van het gereedschap.*
- d. Bewaar niet-gebruikte elektrische gereedschappen buiten bereik van kinderen. Laat het gereedschap niet gebruiken door personen die er niet mee vertrouwd zijn en deze aanwijzingen niet hebben gelezen. *Elektrische gereedschappen zijn gevaarlijk wanneer deze door onervaren personen worden gebruikt.*
- e. Onderhoud uw elektrisch gereedschap en accessoires. Controleer of bewegende delen van het gereedschap correct functioneren en niet vastklemmen en of onderdelen zodanig gebroken of beschadigd zijn dat de werking van het gereedschap nadelig wordt beïnvloed. Laat deze beschadigde onderdelen voor het gebruik repareren. *Veel ongevallen hebben hun oorzaak in slecht onderhouden van elektrische gereedschappen.*
- f. Houd snijdende accessoires scherp en schoon. *Zorgvuldig onderhouden snijdende inzetgereedschappen met scherpe snijkanten klemmen minder snel vast en zijn gemakkelijker onder controle te houden.*
- g. Gebruik elektrisch gereedschap, toebehoren, inzetgereedschappen en dergelijke volgens deze aanwijzingen. Let daarbij op de arbeidsomstandigheden en de uit te voeren werkzaamheden. *Het gebruik van elektrische gereedschappen voor andere dan de voorziene toepassingen kan tot gevaarlijke situaties leiden.*
- h. Houd handgrepen en greepvlakken droog, schoon en vrij van olie en vet. *Gladde handgrepen en greepvlakken verhinderen dat het gereedschap in onverwachte situaties veilig kan worden gehanteerd en bediend.*

SERVICE

- a. Laat het gereedschap alleen repareren door gekwalificeerd en vakkundig personeel en alleen met originele vervangsonderdelen. *Daarmee wordt gewaarborgd dat de veiligheid van het gereedschap in stand blijft.*

GEREEDSCHAPSPECIFIEKE VEILIGHEIDSVOORSCHRIFTEN

VEILIGHEIDSVOORSCHRIFTEN VOOR FIGUURZAGEN

- a. Houd het gereedschap alleen vast aan de geïsoleerde greepvlakken als u werkzaamheden uitvoert waarbij het snijhulpmiddel verborgen stroomleidingen of de eigen netkabel kan raken. *Contact met een onder spanning staande leiding kan ook metalen delen van het elektrische gereedschap onder spanning zetten en tot een elektrische schok leiden.*
- b. Gebruik klemmen of andere handige accessoires om het werkstuk vast te zetten en te ondersteunen op een stabiele verhoging. *Als u het werkstuk met uw hand vasthoudt of tegen uw lichaam aandrukt, kan het onstabiel worden en kunt u er de controle over verliezen.*
- c. Houd uw handen uit de buurt van de plaats waar wordt gezaagd. *Grijp niet onder het werkstuk. Bij aanraking van het zaagblad bestaat verwondingsgevaar.*
- d. Gebruik het gereedschap alleen op het werkstuk als het gereedschap is ingeschakeld. *Anders is er gevaar voor terugslag als het snijhulpmiddel vastslaat in het werkstuk.*
- e. Als het snijden is voltooid, schakelt u het gereedschap uit en trekt u het zaagblad pas uit de snede nadat het zaagblad tot stilstand is gekomen. *Op deze manier kunt u terugslag voorkomen en het gereedschap veilig naar beneden plaatsen.*
- f. Gebruik alleen scherpe, gave zaagbladen. *Gebogen of botte zaagbladen kunnen breken of terugslag veroorzaken.*
- g. Rem het zaagblad niet af door zijwaartse druk uit te oefenen of door uit te schakelen. *Het zaagblad kan beschadigd raken, breken of terugslag veroorzaken.*
- h. Gebruik een geschikt detectieapparaat om verborgen stroom-, gas- of waterleidingen op te sporen of raadpleeg het plaatselijke nutsbedrijf. *Contact met elektrische leidingen kan brand of een elektrische schok veroorzaken. Beschadiging van een gasleiding kan een explosie veroorzaken. Breuk van een waterleiding veroorzaakt materiële schade en kan een elektrische schok veroorzaken.*
- i. Zet het werkstuk vast. *Een met spanvoorzieningen of in een bankschroef vastgehouden werkstuk wordt beter vastgehouden dan u met uw hand kunt doen.*
- j. Houd uw werkplek schoon. *Materiaalmengsels zijn bijzonder gevaarlijk. Stof van lichte metalen kan ontvlammen of exploderen.*
- k. Wacht altijd tot de machine volledig tot stilstand is gekomen voordat u deze neerzet. *De inzet van het gereedschap kan blokkeren en leiden tot controleverlies over het elektrische gereedschap.*
- l. Gebruik het gereedschap nooit met een beschadigde kabel. *Raak de beschadigde kabel niet aan en trek de stekker uit het stopcontact als de kabel tijdens het werken beschadigd raakt. Beschadigde kabels verhogen het risico van een elektrische schok.*

ALGEMENE WAARSCHUWINGEN BIJ HET STATIEF


- a. Haal de stekker uit het stopcontact en/of verwijder de accu uit het elektrisch gereedschap voordat u een aanpassing doet of accessoires aanbrengt. *Het per ongeluk inschakelen van het elektrisch gereedschap kan ongelukken veroorzaken.*
- b. Het statief dient eerst goed in elkaar gezet te worden voordat u het gereedschap bevestigt. *Een*

juiste montage is belangrijk zodat het geheel stevig blijft staan.

- c. Voordat u het elektrisch gereedschap gebruikt, moet u dit op een veilige manier aan het statief bevestigen. *Door het verschuiven van het elektrisch gereedschap op het statief kunt u de controle over het gereedschap kwijt raken.*
- d. Plaats het statief op een stevige, vlakke en horizontale ondergrond. *U kunt het werkstuk niet gelijkmatig en veilig bewerken wanneer het statief kan schuiven of heen en weer bewegen.*

 **DRAAG GEHOORBESCHERMING** (blootstelling aan lawaai kan gehoorverlies tot gevolg hebben)

 **BEWERK GEEN ASBESTHOUDEND MATERIAAL** (asbest geldt als kankerverwekkend)

 **TREF VEILIGHEIDSMATREGELEN WANNEER ER BIJ WERKZAAMHEDEN STOF KAN ONTSTAAN DAT SCHADELIJK VOOR DE GEZONDHEID, BRANDBAAR OF EXPLOSIEF IS** (sommige soorten stof gelden als kankerverwekkend); draag een stofmasker en gebruik een afzuiging voor stof en spanen als deze kan worden aangesloten.

SPECIFICATIES

ModelnummerMS20
Vermogen70 W
Spanning220-240 V ~ 50/60 Hz
Toerental onbelast1.500-2.250/min
Max snijdiepte18 mm
Bekdiepte250 mm
Slaglengte8 mm
Gewicht1,1 kg

Gebruik helemaal uitgerolde en veilige verlengkabels met een vermogen van 5A. Controleer altijd of de spanningsvoorziening hetzelfde is als de spanning die staat vermeld op het typeplaatje van het gereedschap.

ALGEMEEN ^⑥

De Moto-Saw is een compacte en gemakkelijk te gebruiken 2-in-1 figuurzaagmachine. Het gereedschap kan worden gebruikt in stationaire modus als het gereedschap aan de voet is gekoppeld of in handmodus. Dit gereedschap is bedoeld voor het maken van nauwkeurige rechte en gebogen sneden in verschillende materialen zoals zacht hout, hard hout, sandwichplaten, pvc of zacht bladmetaal met de toepasselijke door Dremel aanbevolen accessoires.

- A. Ontgrendelknop aandrukvoet
- B. Aandrukvoet
- C. Vergendelhendel geleidekant
- D. Geleiderail
- E. Voet
- F. Stofafzuigaansluiting
- G. Aan/uit-schakelaar
- H. Schakelaar voor snelheidsregeling
- I. Klemmen
- J. Gat voor permanente bevestiging
- K. Knop voor snelle ontgrendeling
- L. Hendel voor snelle wissel accessoire

GEBRUIK

▲ TREK DE STEKKER UIT HET STOPCONTACT VOORDAT U OVERGAAT TOT MONTAGE, AANPASSINGEN OF HET WISSELEN VAN ACCESSOIRES. Deze voorzorgsmaatregel voorkomt onbedoeld starten van het gereedschap.

STOFAFZUIGING

Het gereedschap is voorzien van een aansluiting voor stofafzuiging. Om hiervan gebruik te maken sluit u hierop een stofzuigerslang aan.

STATIONAIRE MODUS

Het gebruik van het gereedschap in stationaire modus geeft u de vrijheid om verschillende materialen te snijden terwijl u uw werkstuk met beide handen vasthoudt. In deze modus kunt u verschillende hobby- en houtbewerkingsprojecten nauwkeurig en gemakkelijk uitvoeren.

1. Zorg ervoor dat de voet stevig is bevestigd aan een vlak werkoppervlak met behulp van de meegeleverde klemmen (7). De voet kan permanent aan een werkbank worden bevestigd met gewone schroeven via de 2 gaten boven aan de voet.
Zit of leun niet op de voet. De voet is bedoeld als ondersteuning van de materialen die worden gesneden.
2. Zodra de voet is bevestigd, plaatst u het gereedschap erin. Voer de kabel eerst door het gat van de voet en klik de unit in de voet (8). Het gereedschap is stevig geplaatst als het handgereedschap en de stationaire voet vlak zijn.
Gebruik alleen de Dremel Moto-Saw in de voet. De voet is niet bedoeld voor gebruik met ander elektrisch gereedschap.
3. Als het zaagblad is ingezet zoals in de gebruikershandleiding wordt beschreven (9), is het gereedschap klaar voor gebruik.
4. Start het gereedschap en laat dit het juiste toerental bereiken voordat u contact met uw werkstuk maakt.
Zet de schakelaar niet aan of uit terwijl het gereedschap belast is.

Houd de aandrukvoet op uw werkstuk gedrukt om terugspringen van het werkstuk te voorkomen. Houd uw werkstuk met twee handen dicht bij het zaagblad om trilling te voorkomen.

Druk uw werkstuk niet te hard tegen de zaagbladen. Deze bladen zijn voor fijn gebruik. Daarom is het belangrijk dat het blad tijd heeft om de materialen te snijden. Te veel druk op het werkstuk resulteert in vroegtijdig breken van het blad.

Oefen eerst enkele sneden op afvalmateriaal voordat u met uw project begint.

HANDMODUS

Het gebruik van het gereedschap in handmodus wordt aangeraden als het werkstuk te groot is of vast staat en daarom niet op de voet kan worden geplaatst. Typische bewerkingen met de hand zijn figuurzagen of snijden van kleinere stukken materiaal. In handmodus functioneert het gereedschap als een gemotoriseerde figuur-/fretzaag.

1. Houd de knop voor snelle ontgrendeling ingedrukt terwijl u het gereedschap van de voet losmaakt (10).
2. Als het gereedschap is losgemaakt, kunt u het in uw hand houden (11). **Houd het gereedschap stevig vast als u in handmodus snijdt.**
3. Probeer het oppervlak van het gereedschap op een

lijn te brengen met de onderkant van uw werkstuk om trilling te verminderen (12).

RANDGELEIDER (13)

De randgeleider kan in een van de geleiderails worden gebruikt.

Dit hulpstuk kan worden gebruikt als een duwstok of als een randgeleider/geleidekant. Indien gebruikt als een duwstok hoeft dit hulpstuk niet in de rails te worden geklikt met de vergrendelhendel voor de geleidekant.

Deze geleider kan onder verschillende hoeken worden gebruikt. Draai de vleugelschroef van de geleider los en draai de kop in de gewenste stand om de hoek in te stellen.

De randgeleider kan worden vastgezet door aan de vergrendelhendel van de geleidekant te draaien. Dit voorkomt dat de geleider in de rail schuift.

ONDERHOUD EN REINIGEN

▲ GEEN ONDERDELEN DIE ONDERHOUD VERGEN IN HET APPARAAT. PREVENTIEF ONDERHOUD UITGEVOERD DOOR NIET-GEAUTORISEERD ONDERHOUDSPERSONEEL KAN LEIDEN TOT VERKEERD AANSLUITEN VAN DRADEN EN COMPONENTEN EN DAARDOOR EEN ERNSTIG GEVAAR VORMEN.

Het gereedschap kunt u het best met droge compressielucht reinigen. **Draag altijd een veiligheidsbril als u compressielucht gebruikt bij het reinigen.**

▲ OM ONGELUKKEN TE VOORKOMEN MOET U VOOR HET REINIGEN HET GEREEDSCHAP EN/OF DE LADER LOSHALEN VAN DE VOEDINGSSPANNING

Ventilatieopeningen en schakelaarhendels moeten schoon en vrij van vreemde voorwerpen gehouden worden. Reinig het gereedschap niet door scherpe voorwerpen door een opening te steken.

▲ SOMMIGE REINIGINGSMIDDELEN EN OPLOSMIDDELEN BESCHADIGEN DE KUNSTSTOFONDERDELEN. Enkele van deze zijn: benzine, tetrachloorkoolstof, vloeibare reinigingsmiddelen met chloor, ammonia en huishoudelijke reinigingsmiddelen met ammonia.

SERVICE EN GARANTIE

Wij raden u aan alle onderhoud van het gereedschap te laten uitvoeren door een Dremel-servicecentrum.

Op dit product van Dremel is garantie van toepassing conform de specifieke wettelijke/landelijke voorschriften; schade als gevolg van normale slijtage, overbelasting of verkeerd gebruik, vallen niet onder de garantie.

Bij een klacht dient u het gereedschap en/of de lader intact en samen met het aankoopbewijs op te sturen naar het verkooppunt.

CONTACT OPNEMEN MET DREMEL

Ga naar www.dremel.com voor meer informatie over service en garantie, het Dremel-productassortiment, ondersteuning en de hotline.

GELUID EN TRILLINGEN

Geluidsrukniveau (standaardafwijking 3 dB) dB(A)	76,0
Geluidsvermogeniveau (standaardafwijking 3 dB) dB(A)	87,0

Trilling (zacht staal zagen) m/s ²	7,7
Trilling (spaanplaat zagen) m/s ²	8,4
Trilling Onzekerheid K m/s ²	1,5

LET OP: De opgegeven totale trillings- en geluidsemisssieniveaus zijn gemeten volgens een standaard testmethode en kunnen worden gebruikt om een apparaat te vergelijken met een ander apparaat. Ze kunnen ook worden gebruikt als preliminaire evaluatie van de blootstelling hieraan.

De trillings- en geluidsemisssies tijdens het daadwerkelijke gebruik van het gereedschap kunnen afwijken van de opgegeven totale waarde; dit is afhankelijk van de manier waarop u het gereedschap gebruikt. Maak een inschatting van de mate waarin u tijdens daadwerkelijk gebruik aan trillingen wordt blootgesteld en stel aan de hand hiervan de persoonlijke beschermingsmaatregelen vast (waarbij u rekening houdt met alle onderdelen van de bedrijfsacyclus, waaronder de tijden dat het gereedschap is uitgeschakeld of is ingeschakeld maar niet wordt gebruikt, evenals de blootstellingstijd).

AFVALVERWIJDERING

Het gereedschap, de accessoires en verpakking moeten zo worden gescheiden dat ze op een milieuvriendelijke manier kunnen worden aangeboden voor recyclage.

ALLEEN VOOR LANDEN IN DE EU ⁽⁶⁾

Volgens de Europese richtlijn 2012/19/EG over elektrische en elektronische oude apparaten en de omzetting van de richtlijn in nationaal recht moeten niet meer bruikbare elektrische gereedschappen apart worden ingezameld en op een voor het milieu verantwoorde wijze worden hergebruikt.

DA

ANVENDTE SYMBOLER

- ① LÆS DISSE INSTRUKTIONER
- ② BENYT HØREVÆRN
- ③ BENYT BESKYTTESBRILLER
- ④ KLASSE II KONSTRUERET
- ⑤ SMID IKKE EL-VÆRKTØJ UD SAMMEN MED HUSHOLDNINGSAFFALD

GENERELLE SIKKERHEDSADVARSLER I RELATION TIL EL-VÆRKTØJ

⚠ ADVARSEL LÆS ALLE SIKKERHEDSADVARSLER, INSTRUKTIONER, ILLUSTRATIONER OG SPECIFIKATIONER, DER LEVERES MED DETTE VÆRKTØJ.

Manglende overholdelse af samtlige, nedennævnte instruktioner kan resultere i elektrisk stød, brand og/eller alvorlig personskade. Gem alle advarsler og instruktioner til fremtidig brug. Betegnelsen "el-værktøj" i advarslerne henviser til dit nettilsluttede (kablede) el-værktøj eller batteridrevne (ledningsfri) el-værktøj.

SIKKERHED PÅ ARBEJDSOMRÅDET

- a. Sørg for, at arbejdsområdet er rent og ryddeligt.

Uorden og dårligt belyste arbejdsområder øger faren for uheld.

- b. Brug ikke elværktøj i eksplosive atmosfærer, såsom i nærheden af brændbare væsker, gasser eller støv. El-værktøj kan slå gnister, der kan antænde støv eller dampe.
- c. Hold børn og omkringstående på afstand, mens der arbejdes med el-værktøjet. Hvis man distraheres, kan man miste kontrollen over maskinen.

ELEKTRISK SIKKERHED

- a. Maskinens stik skal passe til kontakten. Stikket må under ingen omstændigheder ændres. Brug ikke adapterstik sammen med jorden (jordforbundet) elværktøj. Uændrede stik, der passer til kontakterne, nedsætter risikoen for elektrisk stød.
- b. Undgå kropskontakt med jordforbundne overflader som f.eks. rør, radiatorer, komfurer og køleskabe. Hvis din krop er jordforbundet, øges risikoen for elektrisk stød.
- c. Udsæt ikke elværktøjer for regn eller våde forhold. Indtrængning af vand i maskinen øger risikoen for elektrisk stød.
- d. Kablet må ikke misbruges. Kablet må ikke bruges til at bære, trække maskinen eller til at rykke stikket ud af kontakten. Beskyt kablet mod varme, olie, skarpe kanter eller maskindele, der er i bevægelse. Beskadigede eller indviklede kabler øger risikoen for elektrisk stød.
- e. Hvis maskinen benyttes i det fri, må der kun benyttes en forlængerledning, der er godkendt til udendørs brug. Brug af forlængerledning til udendørs brug nedsætter risikoen for elektrisk stød.
- f. Hvis maskinen absolut skal benyttes i fugtige omgivelser, skal du bruge et fejlstrømsrelæ (HPFI) med beskyttet forsyning. Brug af et HPFI-relæ mindsker risikoen for elektrisk stød.

PERSONLIG SIKKERHED

- a. Det er vigtigt at være opmærksom, se hvad man laver, og bruge maskinen fornuftigt. Man bør ikke bruge maskinen, hvis man er træt, har nydt alkohol eller er påvirket af medicin eller euforiserende stoffer. Få sekundens uopmærksomhed ved brug af maskinen kan føre til alvorlige personskader.
- b. Brug personligt beskyttelsesudstyr. Bær altid beskyttelsesbriller. Brug af beskyttelsesudstyr som f.eks. en støvmaske, skridsikert fodtøj, hjelm eller høreværn anvendt under passende betingelser reducerer risikoen for personskader.
- c. Undgå utilsigtet igangsættelse. Sørg for, at kontakten er slået fra, før maskinen tilsluttes strømforsyningen og/eller batteriet, eller før maskinen håndteres eller bæres. Undgå at bære maskinen med fingeren på afbryderen og sørg for, at maskinen ikke er tændt, når den sluttes til elnettet, da dette øger risikoen for personskader.
- d. Fjern indstillingsværktøj eller skruenøgler, inden maskinen tændes. Hvis et stykke værktøj eller en nøgle sidder i en roterende maskindel, er der risiko for personskader.
- e. Benyt ikke maskinen i uhenigtsmæssige arbejdsstillinger. Sørg for at stå sikkert, mens der arbejdes, og kom ikke ud af balance. Det er derved nemmere at kontrollere maskinen, hvis der skulle opstå uventede situationer.
- f. Brug egnet arbejdstøj. Undgå løse beklædningsgenstande eller smykker. Hold hår, tøj og handsker væk fra dele, der bevæger sig. Dele, der er i bevægelse, kan gribe fat i løstsiddende tøj, smykker eller langt hår.
- g. Hvis der medfølger udstyr til tilslutning af

- støvudsugnings- og opsamlingsanlæg, sørg for at disse er tilsluttet og bruges korrekt. Brug af støvopsamlingsudstyr nedsætter risikoen for personskader som følge af støv.
- h. Selvom du kender værktøjet godt og er vant til at bruge det, skal du alligevel være opmærksom og overholde sikkerhedsanvisningerne. Et øjeblik uopmærksomhed kan medføre alvorlige personskader.

OMHYGGELIG BRUG OG HÅNTERING AF EL-VÆRKTØJ

- a. Overbelast ikke maskinen. Brug altid en maskine, der er beregnet til det stykke arbejde, der skal udføres. Med den rigtige maskine arbejder man bedst og mest sikkert inden for det angivne effektområde.
- b. Brug ikke en maskine, hvis afbryder er defekt. En maskine, der ikke kan startes og stoppes, er farlig og skal repareres.
- c. Træk stikket fra strømforsyningen og/eller fjern batteriet fra el-værktøjet, hvis aftageligt, før der foretages justeringer, udskiftes tilbehør eller el-værktøj henstilles til opbevaring. Dette sikrer, at el-værktøjet ikke kan startes ved en fejltagelse.
- d. Opbevar ubenyttet el-værktøj uden for børns rækkevidde. Lad aldrig personer, der ikke er fortrolige med maskinen eller ikke har gennemlæst disse instrukser, benytte maskinen. El-værktøj er farligt, hvis det benyttes af ukendte personer.
- e. Vedligeholdelse af el-værktøj og tilbehør. Kontrollér om bevægelige dele fungerer korrekt og ikke sidder fast, og om delene er brækket eller beskadiget, således at maskinens funktion påvirkes. Få beskadigede dele repareret, inden maskinen tages i brug. Mange uheld skyldes dårligt vedligeholdte maskiner.
- f. Hold skæreværktøjer skarpe og rene. Omhyggeligt vedligeholdte skæreværktøjer med skarpe skærekanter sætter sig ikke så hurtigt fast og er nemmere at føre.
- g. Brug el-værktøj, tilbehør, værktøjsbits etc. iht. disse instruktioner og tag hensyn til arbejdsforholdene og det arbejde, der skal udføres. Hvis værktøjet anvendes til formål, som ligger uden for det fastsatte anvendelsesområde, kan der opstå farlige situationer.
- h. Hold håndtag og gribeblader tørre, rene og fri for olie og smørefedt. Hvis håndtag og gribeblader er glatte, kan værktøjet ikke håndteres og styres sikkert, hvis der sker noget uventet.

SERVICE

- a. Sørg for, at maskinen kun repareres af kvalificerede fagfolk, og at der kun benyttes originale reservedele. Dermed sikres størst mulig maskinsikkerhed.

MASKINSPECIFIKKE SIKKERHEDSADVARSLER

SIKKERHEDSADVARSLER FOR DEKUPØRSAVE

- a. Når du udfører arbejde, hvor skæreforsatsen kan komme i kontakt med skjulte ledninger eller værktøjets eget kabel, er det vigtigt, at du kun holder på værktøjets isolerede gribeblader. Kontakt med en spændingsførende ledning kan også sætte el-værktøjets metaldele under spænding, hvilket kan føre til elektrisk stød.
- b. Brug skruetvinger eller en anden praktisk måde at fastgøre og sikre emnet til en stabil platform. At holde emnet i hånden eller mod kroppen giver ikke tilstrækkelig stabilitet og kan føre til tab af kontrol med emnet.


- c. Hold hænderne væk fra saveområdet. Stik ikke fingrene ind under emnet. Kontakt med savklingen kan medføre skader.
- d. Elværktøjet må kun bruges på emnet, når det er tændt. Ellers er der risiko for tilbageslag, når skæreværktøjet sætter sig fast i arbejdsområdet.
- e. Når snittet er færdigt, skal værktøjet slukkes og savklingen må ikke trækkes ud af snittet, før værktøjet står helt stille. På denne måde kan tilbageslag undgås og maskinen sættes ned på en sikker måde.
- f. Brug kun skarpe, fejlfri savklinger. Bøjede eller sløve savklinger kan knække og give tilbageslag.
- g. Brems ikke savklingen til stop ved at påføre sidetryk efter der er slukket. Savklingen kan blive beskadiget, knække eller give tilbageslag.
- h. Anvend egnede søgeinstrumenter til at finde frem til skjulte forsyningsledninger eller kontakt det lokale forsyningselskab. Kontakt med elektriske ledninger kan føre til brand og elektrisk stød. Beskadigelse af en gasledning kan føre til eksplosion. Brud på et vandrør kan føre til materiel skade eller elektrisk stød.
- i. Få emnet sikret. Et arbejdsområde holdes bedre fast med spændeordninger eller skruestik end med hånden.
- j. Hold arbejdspladsen ren. Blandede materialer er særligt farlige. Letmetallstøv kan brænde eller eksplodere.
- k. Vent altid til maskinen står helt stille, før den sænkes ned. Værktøjsindsatsen kan kan sætte sig fast og føre til tab af kontrol over elværktøjet.
- l. Brug aldrig værktøjet, hvis ledningen er beskadiget. Rør ikke ved det beskadigede kabel, men træk stikket ud af stikkontakten, hvis kablet beskadiges under arbejdet. Beskadigede kabler øger risikoen for elektrisk stød.

GENERELLE SIKKERHEDSADVARSLER FOR ARBEJDSSTATIVET

- a. Tag stikket ud af stikkontakten og/eller batteripakken ud af det elektriske værktøj, før der foretages justeringer eller skiftes tilbehør. Hvis værktøjet startes ved en fejltagelse, kan det medføre risiko for ulykker.
- b. Sørg for, at arbejdsstativet er samlet korrekt, før værktøjet monteres. Saml arbejdsstativet ordentligt, inden værktøjet monteres.
- c. Fastgør elværktøjet sikkert til arbejdsstativet før brug. Bevægelse af elværktøjet på arbejdsstativet kan medføre tab af kontrol.
- d. Anbring arbejdsstativet på et stabilt, fladt og plant underlag. Hvis arbejdsstativet kan flytte sig eller vippe, kan værktøjet eller arbejdsområdet ikke styres stabilt og sikkert.

 BRUG HØREVÆRN (støjpåvirkning kan føre til tab af hørelse)

 ARBEJDKUNDE MED ASBESTHOLDIGE MATERIALER (asbest anses som værende kræftfremkaldende)

 DE NØDVENDIGE SIKKERHEDSFORANSTALTNINGER SKAL FØLGES, DA DER KAN FREMBRINGES STØV UNDER ARBEJDET, SOM KAN VÆRE SUNDHEDSSKADELIGT, BRANDFARLIGT ELLER EKSPLOSIVT (visse typer støv kan være kræftfremkaldende). Brug en støvmaske og et støv-/spånudugning, hvis en sådan kan kobles til

SPECIFIKATIONER

Modelnummer MS20
Indgang 70 W
Spænding 220-240V~50/60Hz
Hastighed, ubelastet 1.500-2.250/min
Maksimal skæredybde .. 18 mm
Arbejdsdybde 250 mm
Slaglængde 8 mm
Vægt 1,1 kg

Brug altid kun sikre forlængerledninger med en kapacitet på 5 ampere, og rul dem helt ud. Kontrollér altid, at forsyningsspændingen er den samme som den spænding, der er angivet på værktøjets typeskilt.

GENERELT ⑥

Moto-Saw er en kompakt 2-i-1 dekupørsav, der er meget nem at bruge. Den kan bruges enten stationært, hvor værktøjet er fæstet på sit fodstykke, eller som håndholdt værktøj. Dette værktøj er udformet til at skære præcise lige og kurvede snit i forskellige materialer som f.eks. blødt træ, hårdt træ, kompositplader, laminat, PVC og bløde metalplader med det passende tilbehør, som Dremel anbefaler.

- A. Udløserknap til trykfod
- B. Trykfod
- C. Låsegreb, kantskinne
- D. Styreskinne
- E. Fodstykke
- F. Støvport
- G. Tænd/sluk-knap
- H. Hastighedsomskifter
- I. Bordklemmer
- J. Permanent fastgørelseshul
- K. Hurtigudløserknap
- L. Quick change-greb til tilbehør

BRUG

⚠ TAG STIKKET UD AF STIKKONTAKTEN FØR DER MONTERES, JUSTERES ELLER SKIFTES TILBEHØR. Sådanne forebyggende sikkerhedsforanstaltninger forhindrer utilsigtet start af maskinen.

STØVUDSUGNING

Værktøjet er udstyret med en støvport til støvudsugning. For at kunne bruge denne funktion, skal der sættes en vakuumslange i støvporten.

STATIONÆR FUNKTION

Brug af værktøjet i stationær tilstand giver frihed til at skære i forskellige materialer, så der kan holdes fast i arbejdsemnet med begge hænder. I denne tilstand kan der præcist og nemt udføres forskellige hobby- eller træarbejdsprojekter.

1. Sørg for, at fodstykket er forsvarlig fastgjort på en flad arbejdsoverflade med de medfølgende bordklemmer ⑦. Fodstykket kan monteres permanent på en arbejdsbænk med to almindelige skrue gennem de to huller, der sidder øverst på fodstykket.
Du må ikke sidde på eller læne dig op ad fodstykket. Fodstykket er beregnet til at bære det materiale, der skæres.
2. Når fodstykket er sikret, sæt værktøjet i det:

Før først ledningen gennem fodstykkets hul og klik så ganske enkelt værktøjet ind i fodstykket ⑧. Værktøjet sidder forsvarligt fast, når det håndholdte værktøj flugter med det stationære fodstykke.

Brug kun Dremel Moto-Saw på fodstykket.

Fodstykket er ikke beregnet til brug sammen med andet elektrisk værktøj.

3. Når først savklingen er monteret som vist i ⑨, er værktøjet klar til brug.
4. Start værktøjet, og lad det komme op på korrekt hastighed, før det sættes i berøring med arbejdsemnet.
Tænd og sluk ikke for kontakten, mens værktøjet er under belastning.

Tryk trykfoden ned på arbejdsemnet for at undgå, at det hopper.

For at minimere vibrationer holdes arbejdsemnet tæt på savklingen med to hænder.

Tryk ikke arbejdsemnet for hårdt imod savklingen. Disse klinger skal bruges med følsomhed. Derfor er det vigtigt at klingen får tid til at skære gennem materialerne. For stort tryk på arbejdsemnet vil medføre, at klingen hurtigt knækker.

Før du begynder arbejdet på dit projekt, kan du prøve dig frem og skære nogle snit i kasseret materiale.

HÅNDHOLDT TILSTAND

Brug af værktøjet i håndholdt tilstand anbefales, når emnet er for stort eller fast, og kan derfor ikke lægges på fodstykket. Typisk håndholdt betjening omfatter dekuperingsarbejde eller skæring af mindre materialestykker. I håndholdt tilstand fungerer værktøjet som en motoriseret dekupørsav/løvsav.

1. Bliv ved med at trykke på hurtigudløserknappen, mens værktøjet fjernes fra fodstykket ⑩.
2. Når værktøjet er frakoblet, kan det holdes i hånden ⑪.
Sørg for at have et fast greb om værktøjet, når der skæres i håndholdt tilstand.
3. Prøv at få værktøjets overflade på linje med bunden af arbejdsemnet for at reducere vibration ⑫.

KANTSKINNE ⑬

Kantskinne kan bruges i begge styreskinne. Denne forsats kan bruges om en skubbejning eller som kantskinne/styr. Brugt som skubbejning, er det ikke nødvendigt at fastlåse i skinnerne med styrets låsegreb. Kantskinne kan bruges i forskellige vinkler. For at justere vinklen løsnes vingeskruen på kantskinne og hovedet drejes til den ønskede stilling.
Kantskinne kan låses på plads ved at dreje på styrets låsegreb. Når låsegrebet aktiveres forhindres det, at kantskinne glider i styreskinne.

VEDLIGEHOLDELSE OG RENGØRING

⚠ INDVENDIGT INGEN DELE, DER KAN VEDLIGEHOLDES AF BRUGEREN. FOREBYGGENDE VEDLIGEHOLDELSE UDFØRT AF UAUATORISEREDE PERSONER INDEBÆRER EN RISIKO FOR, AT INDVENDIGE LEDERE OG KOMPONENTER KAN TILSLUTTET FORKERT, HVILKET KAN VÆRE FARLIGT.

Maskinen rengøres mest effektivt med tør trykluft. **Anvend altid sikkerhedsbriller, når du rengør værktøj med trykluft.**

⚠ FOR AT UNDGÅ ULYKKER SKAL VÆRKTØJET OG/ELLER OPLADEREN ALTID FRAKOBLES STRØMFORSYNINGEN FØR RENGØRING

Luftåbninger og kontakter skal holdes rene og fri for fremmedlegemer. Forsøg ikke at rengøre maskinen ved at stikke spidse genstande ind gennem åbninger.

A VISSE RENGØRINGS- OG OPLØSNINGSMIDLER ØDELÆGGER PLASTDELE. Disse omfatter bl.a.: benzin, tetraklorkulstof, kloreret rensmiddel, ammoniak og husholdningsrensere, der indeholder ammoniak.

SERVICE OG GARANTI

Vi anbefaler, at al service på værktøjet udføres af et Dremel serviceværksted. Dette Dremel-produkt er dækket af en garanti, som det er foreskrevet af de gældende lokale love og bestemmelser. Garantien dækker dog ikke skader som følge af normal slitage, overbelastning eller forkert håndtering af værktøjet. I tilfælde af en klage skal værktøjet og/eller opladeren sendes uadskilt til din forhandler sammen med købsbeviset.

KONTAKT DREMEL

Du kan få mere information om service og garanti, Dremel produktudvalg, support og hotline på www.dremel.com.

STØJ OG VIBRATION

Lydtryksniveau (standardafvigelse 3dB) dB(A)	76,0
Lydeffektniveau (standardafvigelse 3dB) dB(A)	87,0
Vibration (skæring i blødt stål) m/s ²	7,7
Vibration (skæring i spånplader) m/s ²	8,4
Vibrationsusikkerhed K m/s ²	1,5

BEMÆRK: Den opgivende, samlede måleværdi for vibrationen og de(n) angivne støjemissionsværdi(er) er blevet målt i henhold til en standardiseret målemetode og den kan bruges til at sammenligne forskellige værktøjer med hinanden. De kan også anvendes som en foreløbig vurdering af eksponeringen.

Under faktisk brug af el-værktøjet kan vibrations- og støjemissioner afvige fra den angivne, samlede værdi, afhængigt af, hvordan værktøjet bruges. Foretag en eksponeringsvurdering i de omgivelser, hvor værktøjet skal bruges, og tag derefter de nødvendige sikkerhedsforanstaltninger (alle aspekter af arbejdsforløbet skal indgå i vurderingen; også de perioder, hvor værktøjet er slukket eller kører i tomgang).

BORTSKAFFELSE

Værktøjet, tilbehørsdele og emballagen bør sorteres til miljøvenlig genbrug.

GÆLDER KUN I EU-LANDE ⑥

Iht. det europæiske direktiv 2012/19/EF om affald af elektrisk og elektronisk udstyr skal kasseret elektrisk udstyr indsamles separat og genbruges iht. gældende miljøforskrifter.

SV

SYMBOLER SOM ANVÆNDS

① LÅS DE HÅR ANVISNINGARNA

② ANVÄND HÖRSELSKYDD

③ ANVÄND SKYDDSGLASÖGON

④ KLASS II-KONSTRUKTION

⑤ SLÄNG INTE ELVERKTYG I HUSHÄLLSAVFALLET

ALLMÄNNA SÄKERHETSVARNINGAR FÖR ELVERKTYG

A VARNING LÅS ALLA SÄKERHETSANVISNINGAR, ANVISNINGAR, ILLUSTRATIONER OCH DATA SOM LEVERERAS MED ELVERKTYGET.

Underlåtenhet att följa alla nedanstående instruktioner kan resultera i att elstöt, brand och/eller allvarliga personskador uppstår. Spara alla varningar och instruktioner för framtida referens. Termen "elverktyg" i varningarna avser ditt elverktyg som drivs med kabel via strömnätet (sladdanslutet) eller med batteri (sladdöst).

SÄKERHET I ARBETSOMRÅDE

- Håll arbetsområdet rent och välbelyst. Oordning och dåligt belyst arbetsområde kan leda till olyckor.
- Använd inte elverktøyet i explosionsfarlig omgivning med brännbara vätskor, gaser eller damm. Elverktøyet avger gnistor som kan antända damm eller gas.
- Håll under arbeidet med elverktøyet barn og obehøriga personer på betryggende avstand. Risken for ulykker øker om du förlorar koncentrationen när du arbetar.

ELEKTRISK SÄKERHET

- Elverktøgets stickpropp måste passa till vägguttaget. Stickproppen får absolut inte ändras. Använd inte adapterkontakter tillsammans med skyddsjordade elverktøyer. Oförändrade stickproppar och passande vägguttag reducerar risken för elstöt.
- Undvik kroppskontakt med jordade ytor som t. ex. rör, värmeelement, spisar och kylskåp. Det finns en större risk för elstöt om din kropp är jordad.
- Utsätt inte elverktøyet för regn eller våta förhållanden. Tränger vatten in i ett elverktøyet ökar risken för elstöt.
- Skada inte sladden. Använd den inte för att bära eller hänga upp elverktøyet och inte heller för att dra stickproppen ur vägguttaget. Håll nätsladden på avstånd från värme, olja, skarpa kanter och rörliga maskindelar. Skadade eller tilltrasslade sladdar ökar risken för elstöt.
- När du arbetar med ett elverktøyet utomhus använd endast förlängningssladdar som är godkända för utomhusbruk. Om en lämplig förlängningssladd för utomhusbruk används minskar risken för elstöt.
- Om det är nödvändigt att använda ett elverktøyet på en fuktig plats ska en strömkälla med jordfelsbrytare (RCD) användas. Användning av en jordfelsbrytare (RCD) minskar risken för elstöt.

PERSONSÄKERHET

- Var uppmärksam, kontrollera vad du gör och använd elverktøyet med förnuft. Använd inte elverktøyet när du är trött eller om du är påverkad av droger, alkohol eller mediciner. En ögonblicks uppmärksamhet när du arbetar med elverktøyet kan orsaka allvarliga personskador.
- Använd personlig skyddsutrustning. Bär alltid skyddsglasögon. Användning av personlig skyddsutrustning som t. ex. dammfiltermask, halkfria säkerhetsskor, skyddshjälm och hörselskydd minskar risken för kroppsskada.
- Förhindra oavsiktlig start. Kontrollera att

strömbrytaren är i läge Av innan du ansluter strömkällan och/eller batteripacket, lyfter upp eller bär verktyget. Om du bär elverktyget med fingret på strömställaren eller ansluter påkopplat elverktyg till nätströmmen kan olycka uppstå.

- d. Ta bort alla inställningsverktyg och skruvnycklar innan du kopplar på elverktyget. Ett verktyg eller en nyckel i en roterande komponent kan medföra kroppsskada.
- e. Sträck dig inte för långt. Se till att du står stadigt och håller balansen. Då kan du lättare kontrollera elverktyget i oväntade situationer.
- f. Bär lämpliga arbetskläder. Bär inte löst hängande kläder eller smycken. Håll håret, kläderna och handskarna på avstånd från rörliga delar. Löst hängande kläder, långt hår och smycken kan dras in av roterande delar.
- g. Om det medföljer anordningar för anslutning av dammsug och uppsamling, ska kontroll utföras att de är rätt anslutna och används på rätt sätt. Användning av dammuppsamling reducerar dammrelaterade faror.
- h. Låt inte vana att ofta använda verktygen göra att du blir slarvig och ignorerar verktygets säkerhetsprinciper. En vårdslös åtgärd kan leda till allvarlig personskada inom bråkdelen av en sekund.

KORREKT ANVÄNDNING OCH HANTERING AV ELVERKTYG

- a. Överbelasta inte elverktyget. Använd för aktuellt arbete avsett elverktyg. Med ett lämpligt elverktyg kan du arbeta bättre och säkrare inom angivet effektområde.
- b. Ett elverktyg med defekt strömställare får inte längre användas. Ett elverktyg som inte kan kopplas in eller ur är farligt och måste repareras.
- c. Dra ut stickkontakten från strömkällan och/eller ta ut batteripacket från elverktyget, om det är avtagbart, innan du gör justeringar, byter tillbehör eller lägger undan elverktyg. Denna skyddsåtgärd förhindrar oavsiktlig start av elverktyget.
- d. Förvara elverktygen oåtkomliga för barn. Låt inte elverktyget användas av personer som inte är förtrogna med dess användning eller inte läst denna anvisning. Elverktygen är farliga om de används av oerfarna personer.
- e. Serva elverktyg och tillbehör. Kontrollera att rörliga komponenter fungerar felfritt och inte kärvar, att komponenter inte brustit eller skadats; orsaker som kan leda till att elverktygets funktioner påverkas menligt. Låt skadade delar repareras innan elverktyget tas i bruk. Många olyckor orsakas av dåligt skötta elverktyg.
- f. Håll skärverktygen skarpa och rena. Ordentligt servade skärverktyg med vassa skär har mindre sannolikhet att fastna och är lättare att hantera.
- g. Använd elverktyget, tillbehör, insatsverktyg osv. enligt dessa anvisningar. Ta hänsyn till arbetsvillkoren och arbetsmomenten. Används elverktyget på icke ändamålsenligt sätt kan farliga situationer uppstå.
- h. Håll handtag och greppytor torra, rena och fria från olja och fett. Håll handtag och greppytor ger ingen säker hantering och kontroll över verktyget i oväntade situationer.

SERVICE

- a. Låt en kvalificerad servicetekniker utföra service på elverktyget. Endast identiska reservdelar bör användas. Det säkerställer att elverktyget fortsätter att fungera säkert.

MASKINSPECIFIKASÄKERHETSVARNINGAR

SÄKERHETSANVISNINGAR FÖR FIGURSÅGAR

- a. Håll fast elverktyget i de isolerade handtagen när arbeten utförs på ställen där insatsverktyget kan skada dolda elledningar eller den egna nåtsladden. Kontakt med en spänningsförande ledning kan sätta elverktygets metalldelar under spänning och leda till elstöt.
- b. Använd klämmor eller någon annan lämplig metod för att fästa och stödja arbetsstycket på en stabil plattform. Om du håller arbetsstycket med handen eller mot din kropp blir det instabilt vilket kan leda till att du förlorar kontrollen över det.
- c. Se till att hålla händerna utanför sågområdet. För inte in handen under arbetsstycket. Kontakt med sågbladet medför risk för personskada.
- d. Använd endast elverktyget på arbetsstycket när det är påslaget. Annars finns det risk för bakslag när skärverktyget fastnar i arbetsstycket.
- e. När kapningen är klar, stäng av verktyget och drag därefter ut sågbladet från kapningen när det har stannat. På så sätt kan du undvika bakslag och sätta ned verktyget säkert.
- f. Använd endast skarpa, felfria sågblad. Böjda eller slöa sågblad kan gå sönder eller orsaka bakslag.
- g. Bromsa inte sågbladet så att det stannar genom sidtryck efter avstängning. Sågbladet kan skadas, gå sönder eller orsaka bakslag.
- h. Använd lämpliga detektorer för att lokalisera dolda försörjningsledningar eller konsultera det lokala eldistributionsbolaget. Kontakt med elledningar kan orsaka brand och elstöt. En skadad gasledning kan leda till explosion. Inträngning i en vattenledning kan orsaka skador på föremål eller elstöt.
- i. Säkra arbetsstycket. Ett arbetsstycke som är fastspänt i en uppspänningsanordning eller ett skruvstycke hålls säkrare än med handen.
- j. Håll arbetsplatsen ren. Materialblandningar är särskilt farliga. Lättmetalldamm kan brinna och explodera.
- k. Vänta alltid tills verktyget stannat helt innan du lägger det ifrån dig. Verktygsinlägget kan fastna och leda till att du förlorar kontrollen över elverktyget.
- l. Använd aldrig verktyget med en skadad kabel. Rör inte den skadade kabeln och dra ut stickproppen ur eluttaget när kabeln skadas under arbetet. Skadade kablar ökar risken för elstöt.

ALLMÄNNA SÄKERHETSANVISNINGAR FÖR STATIVET

- a. Dra ut stickkontakten ur eluttaget och/eller ta ut batteripacket från elverktyget innan du gör någon justering eller byter tillbehör. Oavsiktlig start av elverktyget kan orsaka en olycka.
- b. Sätt fast stativet ordentligt innan du monterar verktyget. Det är viktigt att stativet sitter fast så att det inte ramlar ihop.
- c. Sätt fast elverktyget ordentligt i stativet innan du använder det. Man kan förlora kontrollen över verktyget om det sitter löst i stativet.
- d. Placera stativet på ett stadigt och plant underlag. Elverktyget eller arbetsstycket går inte att hantera på ett stadigt och säkert sätt om stativet vickar eller rör sig.



BÄR HÖRSELSKYDD (buller kan leda till hörselskada)



ASBESTHALTIGT MATERIAL FÄR INTE BEARBETAS (asbest anses vara cancerframkallande)



VIDTA SKYDDSÅTGÄRDER OM RISK FINNS FÖR ATT HÄLSOVÄDLIGT, BRÄNNBART ELLER

EXPLOSIVT DAMM UPPSTÅR UNDER ARBETET (vissa damm klassificeras som cancerframkallande ämnen).
Använd andningsskydd och om möjligt damm/spånutsugning

SPECIFIKATIONER

Modellnummer MS20
Ineffekt 70 W
Spänning 220-240V~50/60Hz
Varvtal obelastad 1500-2250/min
Max. kapdjup 18 mm
Arbetsdjup 250 mm
Slaglängd 8 mm
Vikt 1,1 kg

Använd helt uttrullade och säkra förlängningssladdar med en kapacitet på 5 A.
Kontrollera alltid att matningsspänningen är densamma som den angivna spänningen på verktygets märkskylt.

ALLMÄNT ⑥

Moto-Saw är en kompakt och mycket enkel att använda 2-i-1 dekupersåg. Den kan användas antingen i stationärt läge, med verktyget dockat i foten, eller som handhållet verktyg. Detta verktyg är avsett för att utföra raka och böjda kapningar i olika material inklusive mjukt trä, hårt trä, kompositskivor, laminat, PVC eller mjuk plåt med passande tillbehör rekommenderade av Dremel.

- A. Utlösningsknapp låsfot
- B. Låsfot
- C. Kantlåsapak
- D. Guideskena
- E. Bas
- F. Dammport
- G. På/av strömbrytare
- H. Varvtalsreglering
- I. Låsklämmor
- J. Permanent monteringshåll
- K. Snabbutlösningsknapp
- L. Spak för snabbt byte av tillbehör

ANVÄNDNING

⚠ DRA UT STICKKONTAKTEN UR STRÖMKÄLLAN INNAN DU MONTERAR, JUSTERAR ELLER BYTER TILLBEHÖR. Denna skyddsåtgärd förhindrar oavsiktlig start av elverktyget.

DAMMEXTRAHERING

Verktyget har en dammport för dammextrahering. Använd denna funktion för att ansluta en vakuumslang till dammporten.

STATIONÄRT LÄGE

Med verktyget i stationärt läge, kan du kapa olika material med båda händerna som håller fast arbetsstycket. I detta läge kan du slutföra olika hobby- eller träprojekt exakt och enkelt.

1. Se till att foten är ordentligt monterad på en plan arbetsyta med hjälp av bifogade klämmor ⑦. Foten kan monteras permanent på en arbetsbänk med vanliga skruvar genom de 2 hålen på fotens ovansida. **Sitt eller luta dig inte mot foten. Foten är avsedd att stödja material som kapas.**
2. När foten är monterad, docka verktyget i den:

mata först sladden genom fotens hål och klicka därefter fast verktyget i foten ⑧. Verktyget är säkert dockat när det handhållna verktyget och den stationära foten är i jämnhöjd.

Använd endast Dremel Moto-Saw i foten. Andra elverktyg är inte avsedda att användas med foten.

3. När sågbladet är monterat enligt illustrationen ⑨ är verktyget redo att användas.
4. Starta verktyget och låt det nå rätt hastighet innan det kommer i kontakt med arbetsstycket. **Slå inte om strömställaren "på" och "av" när verktyget är belastat.**

Tryck ned låsfoten mot arbetsstycket för att förhindra att det studsar.

För att minimera vibrationerna, håll arbetsstycket med båda händerna nära sågbladet.

Tryck inte arbetsstycket för hårt mot sågbladet. Dessa blad är för detaljerat arbete. Därför är det viktigt att bladet har tid att kapa materialen. Onödigt tryck mot arbetsstycket leder till att bladet går av i förtid.

Innan du börjar arbeta på ditt projekt, öva några gånger på överblivet material.

HANDHÅLLET LÄGE

Vi rekommenderar att använda verktyget i handhållet läge, när arbetsstycket är för stort eller fast och det därmed inte kan monteras på stativet. Normal handhållen användning omfattar sågning eller kapning av mindre materialbitar. I handhållet läge fungerar verktyget som en eldriven båg-/lövsåg.

1. Fortsätt trycka in snabbutlösningsknappen medan du avlägsnar verktyget från foten ⑩.
2. När verktyget har tagits loss, kan du hålla det i handen ⑪. **När du kapar i handhållet läge, se till att du har ett säkert grepp om verktyget.**
3. Försök att rikta verktygets yta mot arbetsstyckets undersida för att minska vibrationerna ⑫.

KANTGUIDE ⑬

Kantguiden kan användas i båda guideskenorna. Denna tillsats kan användas som en påskjutare eller som en kantguide/kant. När den används som påskjutare, behöver den inte låsas i skenorna med kantlåsapak. Guiden kan användas i olika vinklar. För att justera vinkeln, lossa vingskruven på guiden och rotera huvudet till önskat läge.

Kantguiden kan låsas på plats genom att vrida kantlåsapak. Genom att göra detta förhindras att kanten glider in i skenan.

UNDERHÅLL OCH RENGÖRING

⚠ INGA INVÄNDIGA DELAR KAN REPARERAS AV ANVÄNDAREN. OM NÅGON OBEHÖRIG UTFÖR DET FÖREBYGGANDE UNDERHÅLLET KAN DET LEDA TILL FELAKTIG ANSLUTNING AV INRE LEDNINGAR OCH KOMPONENTER, VILKET ÄR EN STORSÄKERHETSRISK.

Verktyget rengörs mest effektivt med tryckluft. **Använd alltid skyddsglasögon när du gör rent med tryckluft.**

⚠ FÖR ATT UNDVIKA OLYCKOR SKA VERKTYGET OCH/ELLER LADDAREN ALLTID KOPPLAS BORT FRÅN STRÖMKÄLLAN FÖRE RENGÖRING

Ventilationsöppningar och strömbrytare måste hållas rena och fria från skräp. Försök aldrig peta i öppningarna med ett vasst föremål.

VISSARENGÖRINGSMEDEL OCH LÖSNINGSMEDEL KAN SKADA PLASTDELARNA. Några av dessa är: bensin, koltetraklorid, klorerade rengöringslösningar, ammoniak och tvättmedel som innehåller ammoniak.

SERVICE OCH GARANTI

Vi rekommenderar att du låter Dremels servicecenter utföra all service på verktyget.

Denna DREMEL-produkt omfattas av garanti enligt lagstadgade/landsspecifika regler; skador orsakade av normalt slitage, överbelastning eller felaktig användning täcks inte av garantin.

Skicka vid reklamation det odemonterade verktyget och/eller laddaren samt inköpsbevis till återförsäljaren.

KONTAKTA DREMEL

Mer information om service, garanti, Dremels sortiment, support och hotline finns på www.dremel.com.

BULLER OCH VIBRATION

Ljudtrycksnivå (standardavvikelse 3 dB) dB(A)	76,0
Ljudtrycksnivå (standardavvikelse 3 dB) dB(A)	87,0
Vibration (skära mjukt kolstål) m/s ²	7,7
Vibration (såga spånskivor) m/s ²	8,4
Vibration osäkerhet K m/s ²	1,5

OBS: Det/de angivna totala vibrationsvärdet/värdena och det deklarerade bulleremissionsvärdet/värdena har uppmätts i enlighet med en standardtestmetod och får användas för att jämföra ett verktyg med ett annat. De kan även användas vid en preliminär exponeringsbedömning.

Beroende på hur verktyget används kan vibrationerna vid användningen av verktyget skilja sig från det angivna totala värdet för vibration och buller. Gör en uppskattning av exponeringen under verkliga användningsförhållanden och vidta skyddsåtgärder för personalen därefter (ta hänsyn till alla delar i användningsförloppet, som när verktyget stängs av och utöver starttiden, när det går på tomgång).

AVFALLSHANtering

Verktyg, tillbehör och förpackning ska källsorteras för återvinning.

ENDAST FÖR EU-LÄNDER ⑥

Enligt det europeiska direktivet 2012/19/EG för kasserade elektriska och elektroniska apparater och dess modifiering till nationell rätt måste obrukbara elverktyg omhändertas separat och på miljövänligt sätt lämnas in för återvinning.

NO

BRUKTE SYMBOLER

- ① LES DISSE INSTRUKSENE
- ② BRUK HØRSELVERN
- ③ BRUK VERNEBRILLER
- ④ KLASSE II KONSTRUERT
- ⑤ IKKE KAST ELEKTROVERKTØY SAMMEN MED HUSHOLDNINGSAVFALL

GENERELLE SIKKERHETSADVARSLER FOR ELEKTROVERKTØY

ADVARSEL FØLG ALLE ADVARSLER, ANVISNINGER, BILDER OG DATA SOM DU FÅR LEVERT MED ELEKTROVERKTØYET.

Hvis du ikke følger følgende anvisninger, kan det oppstå elektriske støt, brann og/eller alvorlige skader. Oppbevar alle advarsler og instruksjoner for fremtidig referanse. Uttrykket "elektroverktøy" i advarslene henviser til elektroverktøy med strømledning eller batteridrevne (trådløst) elektroverktøy.

SIKKERHET I ARBEIDSMRÅDET

- Hold arbeidsområdet rent og godt opplyst. Rotete arbeidsområder eller arbeidsområder uten lys kan føre til ulykker.
- Ikke arbeid med maskinen i eksplosive atmosfærer, slik som i nærheten av brennbare væsker, gass eller støv. Elektroverktøy lager gnister som kan antenne støv eller damper.
- Hold barn og andre personer unna når elektroverktøyet brukes. Hvis du blir forstyrret under arbeidet, kan du miste kontrollen over maskinen.

ELEKTRISK SIKKERHET

- Støpselet til elektroverktøyet må passe inn i stikkkontakten. Støpselet må ikke forandres på noen som helst måte. Ikke bruk adapterstøpsler sammen med jordede maskiner. Bruk av støpsler som ikke er forandret på og passende stikkontakter reduserer risikoen for elektriske støt.
- Unngå kroppskontakt med jordede overflater slik som rør, ovner, komfyrer og kjøleskap. Det er større fare for elektriske støt hvis kroppen din er jordet.
- Hold maskinen unna regn eller fuktighet. Dersom det kommer vann i et elektroverktøy, øker risikoen for elektriske støt.
- Ikke misbruk ledningen. Ikke bruk ledningen til andre formål, f. eks. til å bære elektroverktøyet, dra det eller trekke det ut av stikkkontakten. Hold ledningen unna varme, olje, skarpe kanter og bevegelige deler. Skadde eller innviklede ledninger øker risikoen for elektriske støt.
- Når du arbeider utendørs med et elektroverktøy, må du kun bruke en skjøteledning som er egnet for utendørs bruk, reduseres risikoen for elektriske støt.
- Hvis bruk av et elektroverktøy på et fuktig sted er uunnværlig, bruk en strømforsyning beskyttet med en jordfeilbryter. Bruk av en jordfeilbryter reduserer risikoen for elektrisk støt.

PERSONSIKKERHET

- Vær oppmerksom, pass på hva du gjør og gå fornuftig frem når du arbeider med et elektroverktøy. Ikke bruk et elektroverktøy når du er trett eller er påvirket av narkotika, alkohol eller medikamenter. Et øyeblikks uoppmerksomhet ved bruk av elektroverktøyet kan føre til alvorlige skader.
- Bruk personlig verneutstyr. Bruk alltid vernebriller. Bruk av personlig verneutstyr som en støvmaske, skilfaste arbeidssko, hjelm eller hørselvern – avhengig av type og bruk av elektroverktøyet – reduserer risikoen for skader.
- Hindre utilsiktet start. Påse at bryteren er i avstilling før du kobler til strøm og/eller batteripakke, og før du løfter opp eller bærer verktyget.

Hvis du holder fingeren på bryteren når du bærer elektroverktøyet eller kobler det til strømmen med bryteren i på-stilling, kan dette føre til uhell.

- d. Fjern eventuelt reguleringsnøkkel eller skrunøkkel før du slår på elektroverktøyet. En skrunøkkel eller verktøy som befinner seg i en roterende maskindel, kan føre til personskade.
- e. Ikke overvurder deg selv. Sørg for å stå stødig og i balanse. Dermed kan du kontrollere elektroverktøyet bedre i uventede situasjoner.
- f. Bruk egnede klær. Ikke bruk løstsittende klær eller smykker. Hold hår, tøy og hansker unna deler som beveger seg. Løstsittende klær, smykker eller langt hår kan bli viklet inn i deler som beveger seg.
- g. Hvis det kan monteres støvavsug- og oppsamlingsinnretninger, må du forvisse deg om at disse er tilkoblet og brukes på korrekt måte. Bruk av støvopsamling reduserer faren knyttet til støv.
- h. Selv når du er blitt vant til verktøyet, må du ikke bli sløv og ignorere sikkerhetsreglene for verktøyet. En uforsiktig handling kan forårsake alvorlig personskade i løpet av et brøkdels sekund.

BRUK OG VEDLIKEHOLD AV ELEKTROVERKTØYET

- a. Ikke overbelast elektroverktøyet. Bruk et elektroverktøy som er beregnet til den typen arbeid du vil utføre. Med et passende elektroverktøy arbeider du bedre og sikrere i det angitte effektområdet.
- b. Ikke bruk et elektroverktøy med defekt av/på-bryter. Et elektroverktøy som ikke lenger kan slås av eller på, er farlig og må repareres.
- c. Ta støpslet ut av strømforsyningen og/eller fjern batteripakken hvis den kan fjernes fra elektroverktøyet før du foretar noen justeringer, endrer tilbehør eller oppbevarer elektroverktøyet. Disse tiltakene forhindrer utilsiktet start av maskinen.
- d. Elektroverktøy som ikke er i bruk, må oppbevares utilgjengelig for barn. Ikke la elektroverktøyet brukes av personer som ikke er kjent med det eller ikke har lest disse instruksene. Elektroverktøy er farlige når de brukes av uerfarne personer.
- e. Vedlikehold elektroverktøy og tilbehør. Kontroller om bevegelige verktøydeler fungerer feilfritt og ikke klemmes fast, og om deler er brukt eller skadet slik at dette innvirker på elektroverktøets funksjon. Reparer disse skadede delene før bruk av elektroverktøyet. Dårlig vedlikeholdte elektroverktøy er årsaken til mange uhell.
- f. Hold skjæreverktøyene skarpe og rene. Godt stelte skjæreverktøy med skarpe skjærekanter setter seg ikke så ofte fast og er lettere å føre.
- g. Bruk elektroverktøy, innsatsverktøy, verktøydeler osv. i henhold til disse instruksene. Ta hensyn til arbeidsforholdene og arbeidet som skal utføres. Bruk av elektroverktøy til andre formål enn det som er angitt, kan føre til farlige situasjoner.
- h. Hold håndtak og gripeflater tørre, rene og uten olje eller fett. Glatte håndtak og gripeflater hindrer sikker håndtering og styring av verktøyet i uventede situasjoner.

SERVICE

- a. Elektroverktøyet ditt skal alltid kun repareres av kvalifisert fagpersonell og kun med originale reservedeler. Slik opprettholdes elektroverktøets sikkerhet.

MASKINSPESIFIKKE SIKKERHETSADVARSLER

SIKKERHETSADVARSLER FOR LØVSAGER

- a. Hold elektroverktøyet i de isolerte grepsflatene når du foretar en operasjon der kutte-tilbehøret kan få kontakt med skjulte ledninger eller verktøets egen ledning. Kontakt med en spenningsførende ledning kan også sette elektroverktøets metalldeleer under spenning og føre til elektriske støt.
- b. Bruk skrutvinger eller en annen praktisk metode for å sikre og støtte arbeidsstykket mot en stabil plattform. Hvis du holder arbeidsstykket i hånden eller mot kroppen din, er det ustabil og kan føre til at du mister kontrollen.
- c. Hold hendene unna sagområdet. Ikke ta tak under arbeidsstykket. Ved kontakt med sagbladet er det fare for skader.
- d. Sett multiverktøyet i kontakt med arbeidsstykket kun når det er slått på. Ellers er det fare for tilbakeslag når skjæreverktøyet setter seg fast i arbeidsstykket.
- e. Når skjæringen er fullført, slå av verktøyet og trekk deretter sagbladet ut av skjæret kun etter at det står stille. På denne måten unngår du tilbakeslag og kan legge ned verktøyet på en trygg måte.
- f. Bruk kun skarpe sagblader uten feil. Boyde eller uskarpe sagblader kan brette eller forårsake tilbakeslag.
- g. Ikke bremes ned sagbladet til stopp ved å bruke sidetrykk etter å ha slått av saken. Sagbladet kan bli skadet, brette eller forårsake tilbakeslag.
- h. Bruk egnede detektorer til å finne skjulte strøm-/gass-/vannledninger, eller spør hos det lokale el-/gass-/vannverket. Kontakt med elektriske ledninger kan medføre brann og elektrisk støt. Skader på en gassledning kan føre til eksplosjon. Inntrenging i en vannledning forårsaker materielle skader og kan medføre elektriske støt.
- i. Sikre arbeidsstykket. Et arbeidsstykke som holdes fast med spenninnetninger eller en skruestikke, holdes sikrere enn med hånden.
- j. Hold arbeidsplassen ren. Materialblandinger er spesielt farlige. Lettmetallstøv kan brenne eller eksplodere.
- k. Vent alltid inntil maskinen har stått fullstendig stille før du legger den ned. Verktøyninnettet kan sette seg fast og føre til tap av kontroll over elektroverktøyet.
- l. Ikke bruk et verktøy som har en skadet kabel. Ikke berør den skadede kablen og trekk ut pluggen når kablen blir skadet under arbeid. Skadede kabler øker faren for elektrisk støt.

GENERELLE SIKKERHETSADVARSLER FOR ARBEIDSSTATIV

- a. Frakoble pluggen fra strømkilden og/eller batteriet fra elektroverktøyet før du foretar justeringer eller bytter tilbehør. Utilsiktet start av elektroverktøyet er årsak til flere ulykker.
- b. Monter arbeidsstativet korrekt før verktøyet monteres. Riktig montering er viktig for å forebygge faren for kollaps.
- c. Fest elektroverktøyet sikkert til arbeidsstativet før bruk. Et elektroverktøy som forsvyver seg på arbeidsstativet kan føre til tap av kontroll.
- d. Plasser arbeidsstativet på en stødig, flat og jevn overflate. Hvis arbeidsstativet står ustøtt, kan ikke elektroverktøyet eller arbeidsstykket kontrolleres godt nok.

⚠ BRUK HØRSELVERN (innvirkning av støy kan føre til at man mister hørselen)

⚠ IKKE BEARBEID MATERIALE SOM INNEHOLDER ASBEST (asbest er kreftfremkallende)

⚠ TA NØDVENDIGE FORHOLDSREGLER DERSOM HELSEKADELIG, BRENNBART ELLER EKSPLOSIVT STØV KAN OPPSTÅ UNDER ARBEIDET (enkelte støvtyper er kreftfremkallende). Bruk en støvmaske samt et støv-/sponavsug, hvis dette kan kobles til.

SPESIFIKASJONER

Modellnummer MS20
Inngang 70 W
Spenning 220-240 V~50/60 Hz
Turtall 1500-2250/min
Maks. skjærelengde 18 mm
Hullkildybd. 250 mm
Slaglengde 8 mm
Vekt 1,1 kg

Bruk skjøteledninger som er helt rullet ut med en kapasitet på 5 A.

Du må alltid kontrollere at forsyningsspenningen er den samme som spenningen som angis på verktøyets typeskilt.

GENERELT ⑥

Moto-Saw-verktøyet er en kompakt og meget brukervennlig 2-i-1 løvsag. Den kan brukes enten fastmontert i sokkelen eller som håndverktøy. Verktøyet er beregnet på å utføre rette og krumme skår i forskjellige materialer, blant annet myke tresorter, laminert plater, laminat, PVC eller myke metallplater, ved bruk av det aktuelle innsatsverktøyet som anbefales av Dremel.

- A. Utløserknapp for holdefot
- B. Holdefot
- C. Låsespak for anleggsflate
- D. Styreskinne
- E. Base
- F. Støvpport
- G. På/av-bryter
- H. Hastighetsbryter
- I. Festeklemmer
- J. Permanent festehull
- K. Hurtigutløserknapp
- L. Spake for hurtigskift (tilbehør)

BRUK

⚠ KOBLESTØPSELET FRATRØMFORSYNINGEN FØR DU EVENTUELT MONTERER, JUSTERER ELLER BYTTER INNSATSVERKTØY. Disse tiltakene forhindrer utilsiktet start av verktøyet.

STØVAVSUG

Verktøyet er utstyrt med en støvport for støvavsug. Fest en støvsugerslange i støvporten for å bruke denne funksjonen.

STASJONÆR MODUS

Når verktøyet brukes fastmontert gis du frihet til å skjære forskjellige materialer mens du holder arbeidsstykket med begge hender. På denne måten kan du gjennomføre

forskjellige hobby- eller trearbeidsprosjekter på en presis og lett måte.

1. Sørg for at basen er forsvarlig festet til en flat arbeidsflate ved hjelp av de medfølgende klemmene ⑦. Basen kan permanent festes til en arbeidsbenk med vanlige skruer gjennom de 2 hullene som sitter på toppen av basen.
Ikke sitt eller len deg på basen. Basen er beregnet på å støtte materialene som skjæres.
2. Når basen er festet kan du dokke verktøyet i den: før først ledningen gjennom hullet i basen og klikk deretter verktøyet på plass i basen ⑧. Verktøyet er forsvarlig dokket når det håndholdte verktøyet og den stasjonære basen er i plan.
Bare Dremel Moto-Saw må brukes i basen. Andre elektroverktøy er ikke beregnet på bruke sammen med basen.
3. Når sagbladet er satt inn i henhold til illustrasjon ⑨, er verktøyet klar til bruk.
4. Start verktøyet og la det nå riktig hastighet før du fører det mot arbeidsstykket.
Ikke vri bryteren på og av når verktøyet er under belastning.

Trykk ned holdefoten på arbeidsstykket for å forhindre det fra å hoppe.

Hold arbeidsstykket med to hender nær sagbladet for å minimere vibrasjon.

Ikke skyv arbeidsstykket hardt mot sagbladene. Disse bladene er for finarbeid. Det er derfor viktig at bladet får tid til å skjære materialene. For mye trykk på arbeidsstykket vil føre til at bladet brekker før tiden.

Før du starter arbeidet på prosjektet, bør du prøveskjære i noen materialrester.

HÅNDHOLDT MODUS

Det anbefales å bruke verktøyet som et håndverktøy når arbeidsstykket er for stort eller sitter fast, og derfor ikke kan settes på basen. Typisk håndholdt bruk omfatter dekkplatearbeid eller utskjæring av mindre materialstykker. Som håndverktøy fungerer verktøyet som en motorisert løvsag/dekupørsag.

1. Hold inne hurtigutløserknappen mens du kopler verktøyet fra basen ⑩.
2. Når verktøyet er frakoplet, kan du holde det i hånden ⑪. **Sørg for at du har et fast grep om verktøyet når du bruker det som håndverktøy.**
3. Prøv å stille opp flaten på verktøyet med bunnen av arbeidsstykket for å redusere vibrasjon ⑫.

FØRINGSSTAG ⑬

Føringsstaget kan brukes i begge styreskinnene.

Dette innsatsverktøyet kan brukes som en skyvespak eller som føringsstag/-kant. Når den brukes som skyvespak er det ikke behov for å låse den i skinnene med låsespaken for anleggsflaten.

Føringsstaget kan brukes i forskjellige vinkler. Løse vingemutteren på føringsstaget og dreie hode til ønske stilling for å justere vinkelen.

Føringsstaget kan låses på plass ved å dreie låsespaken for anleggsflaten. Innkoplingen vil forhindre at føringsstaget glir på skinnen.

VEDLIKEHOLD OG RENGJØRING

⚠ INNEHOLDERINGEN DELER SOM VEDLIKEHOLDES AV BRUKER. FOREBYGGENDE VEDLIKEHOLD UTFØRT AV UKYNDIGE PERSONER KAN FØRE TIL AT

INNVENDIGE DELER OG LEDNINGER BLIR FEILKOBLET, NOE SOM KAN FORÅRSAKE ALVORLIG FARE.

Det er mest effektivt å bruke trykkluft til å rengjøre verktøyet. **Bruk alltid vernebriller når du rengjør verktøyet med trykkluft.**

A FOR Å UNNGÅ ULYKKER, KOBLE ALLTID VERKTØYET OG/ELLER LADER FRA STRØMFORSYNINGEN FØR RENGJØRING.

Ventilasjonsåpninger og brytere må holdes rene og frie for fremmedlegemer. Ikke forsøk å foreta rengjøring ved å stikke spisse gjenstander inn gjennom åpningene.

A NOEN RENGJØRINGSMIDLER OG LØSEMIDLER SKADER PLASTDELER. *Noen av disse er bensin, karbontetraklorid, klorholdige rensmidler, ammoniakk og rengjøringsmidler som inneholder ammoniakk.*

SERVICE OG GARANTI

Vi anbefaler at all verktøyvedlikehold utføres av et Dremel-serviceverksted.

Garantien for dette Dremel-produktet gis i henhold til lovfestede/landsspesifikke lover og forskrifter. Skader grunnet normal slitasje, overbelastning eller feil bruk dekkes ikke av garantien.

Dersom du ønsker å klage på produktet, tar du med verktøyet i monteret stand og/eller lader og kjøpsbevis til forhandleren.

KONTAKTE DREMEL

Hvis du ønsker mer informasjon om service og garanti, Dremels produktvalg, brukerstøtte og hotline, kan du gå til www.dremel.com.

STØY OG VIBRASJON

Lydkraftnivå (standardavvik 3dB) dB(A)	<76,0
Lydtrykknivå (standardavvik 3dB) dB(A)	87,0
Vibrasjon (skjæring av mildt stål) m/s ²	7,7
Vibrasjon (skjæring av sponplater) m/s ²	8,4
Vibrasjon usikkerhet K m/s ²	1,5

MERK: Den erklærte totalverdien for vibrasjon og den erklærte totalverdien for støytuslapp er målt i henhold til en standard testmetode og kan brukes til å sammenligne et verktøy med et annet. De kan også brukes til innledende eksponeringsvurdering.

Vibrasjon og støytuslapp under faktisk bruk av elektroverktøyet kan avvike fra de oppgitte verdiene, avhengig av måten verktøyet brukes på. Vurder eksponeringen i de omgivelsene som verktøyet skal brukes i, og sørg deretter for nødvendige sikkerhetsiltak (alle aspekter av driftssyklusen skal tas med i vurderingen, også de periodene når verktøyet er slått av eller går på tomgang).

AVHENDING

Verktøy, tilbehør og emballasje må leveres inn til miljøvennlig gjenvinning.

KUN FOR EU-LAND **⑥**

I henhold til det europeiske direktivet 2012/19/EF vedr. gamle elektriske og elektroniske apparater og tilpassingen til nasjonale lover, må et gammelt elektroverktøy som ikke lenger kan brukes, samles inn og avhendes på en miljøvennlig måte.

FI

KÄYTETYT SYMBOLIT

- 1 LUE NÄMÄ OHJEET
- 2 KÄYTTÄ KUULOSUOJAA
- 3 KÄYTTÄ SUOJALASEJA
- 4 LUOKAN II RAKENNE
- 5 ÄLÄHEITÄSÄHKÖTYÖKALUJATALOUSJÄTTEISIIN

SÄHKÖTYÖKALUIHIN LIITTYVIÄ YLEISIÄ VARO-OHJEITA

A WARNING LUE KAIKKI VARO-OHJEET, KÄYTTÖOHJEET, PIIRUSTUKSET JA TIEDOT, JOTKA TOIMITETAAN SÄHKÖTYÖKALUN MUKANA.

Alla olevien ohjeiden noudattamatta jättäminen voi aiheuttaa sähköiskun, tulipalon ja/tai vakavan vamman. Säilytä kaikki ohjeet ja varoitukset myöhempää käyttöä varten. Termillä "sähkötyökalu" tarkoitetaan sähkökäyttöistä (sähköjohdolla varustettua) työkalua tai akkukäyttöistä (sähköjohdotonta) työkalua.

TYÖTURVALLISUUS

- a. Pidä työskentelyalue puhtaana ja hyvin valaistuna. Työskentelyalueen epäjärjestys tai valaisemattomat alueet voivat johtaa tapaturmiin.
- b. Älä työskentele sähkötyökaluilla räjähdysalttiissa ympäristössä, jossa on palavia nesteitä, kaasuja tai pölyä. Sähkötyökalut muodostavat kipinöitä, jotka saattavat sytyttää pölyn tai höyryt.
- c. Pidä lapset ja sivulliset loitolla sähkötyökalua käyttäessäsi. Voit menettää laitteesi hallinnan, kun huomiosi suuntautuu muualle.

SÄHKÖTURVALLISUUS

- a. Sähkötyökalun pistotulpan tulee sopia pistorasiaan. Pistotulppaa ei saa muuttaa millään tavalla. Älä käytä pistorasia-adaptoreita maadoitettujen sähkötyökalujen kanssa. Alkuperäisessä kunnossa olevat pistotulpat ja sopivat pistorasiat vähentävät sähköiskun vaaraa.
- b. Vältä koskettamasta maadoitettuja pintoja, kuten putkia, pattereita, liesiä tai jääkaappeja. Sähköiskun vaara kasvaa, jos kehosi on maadoitettu.
- c. Älä aseta sähkötyökalua alttiiksi sateelle tai kosteudelle. Veden tunkeutuminen sähkötyökalun sisään kasvattaa sähköiskun riskiä.
- d. Älä käytä verkkojohtoa väärin. Älä käytä verkkojohtoa sähkötyökalun kantamiseen, vetämiseen tai pistotulpan irrottamiseen pistorasiasta. Pidä johto loitolla kuumuudesta, öljystä, terävistä reunoista ja liikkuvista osista. Vahingoittuneet tai sotkeutuneet johdot kasvattavat sähköiskun vaaraa.
- e. Käyttäessäsi sähkötyökalua ulkona käytä ainoastaan ulko käyttöön soveltuvaa jatkojohtoa. Ulko käyttöön soveltuvan jatkojohdon käyttö pienentää sähköiskun vaaraa.
- f. Jos sähkötyökalua on käytettävä kosteissa olosuhteissa, käytä vikavirtasuojalla (RCD) suojattua virransyöttöä. Vikavirtasuojan käyttö pienentää sähköiskun vaaraa.

HENKILÖTURVALLISUUS

- a. Ole valpas, kiinnitä huomiota työskentelyysi ja noudata tervettä järkeä sähkötyökalua käyttäessäsi. Älä käytä laitetta, jos olet väsynyt tai huumeiden, alkoholin tai lääkkeiden vaikutuksen alaisena. Hetken tarkkaamattomuus sähkötyökalua käytettäessä saattaa johtaa vakavaan loukkaantumiseen.
- b. Käytä henkilökohtaisia suojarusteita. Käytä aina suojalaseja. Loukkaantumiseriskiä voidaan vähentää käyttämällä olosuhteita vastaavia henkilökohtaisia suojarusteita, kuten hengityssuojainta, luistamattomia turvakengkiä, suojakypärää tai kuulonsuojaimia.
- c. Estä vahingossa tapahtuva käynnistys. Varmista, että käynnistyskytkin on OFF-asennossa sekä ennen laitteen liittämistä virtalähteeseen ja/tai akkuyksikköön että ennen laitteen nostamista ja kantamista. Jos kannat sähkötyökalua sormi käynnistyskytkimellä tai kytket virran sähkötyökaluun käynnistyskytkimen ollessa käyntiasennossa, altistat itsesi onnettomuuksille.
- d. Poista kaikki säätötyökalut ja ruuvitaltat, ennen kuin käynnistät sähkötyökalun. Työkalu tai avain, joka sijaitsee laitteen pyörivässä osassa, saattaa johtaa loukkaantumiseen.
- e. Älä kurkottele. Huolehdi aina tukevasta seisoma-asennosta ja tasapainosta. Täten voit paremmin hallita sähkötyökalua odottamattomissa tilanteissa.
- f. Käytä tarkoitukseen soveltuvia vaatteita. Älä käytä löysiä työvaatteita tai koruja. Pidä hiukset, vaatteet ja käsineet loitolla liikkuvista osista. Väljät vaatteet, korut ja pitkät hiukset voivat takertua liikkuviin osiin.
- g. Jos pölynimu- ja keräilylaitteita voidaan asentaa, varmista, että ne on liitetty ja että niitä käytetään asianmukaisesti. Pölynkeräysjärjestelmän käyttö vähentää pölyn aiheuttamia vaaroja.
- h. Työskentele keskittyneesti ja noudata aina turvallisuusmääräyksiä. Hetkellisenkin huolimattomuus voi aiheuttaa vakavia vammoja.

SÄHKÖTYÖKALUJEN KÄYTTÖ JA KÄSITTELY

- a. Älä yritysormita laitetta. Käytä kyseiseen työhön tarkoitettua sähkötyökalua. Sopivaa sähkötyökalua käyttäen työskentelet paremmin ja varmemmin tehoalueella, jolle sähkötyökalu on tarkoitettu.
- b. Älä käytä sähkötyökalua, jota ei voida käynnistää ja pysäyttää käynnistyskytkimestä. Sähkötyökalu, jota ei enää voida käynnistää ja pysäyttää käynnistyskytkimellä, on vaarallinen ja täytyy korjata.
- c. Irrota pistoke virtalähteestä ja/tai irrota akkuyksikkö (jos irrotettavissa) ennen kuin muut asetukset, vaihdat tarvikkeita tai varastoit sähkötyökaluja. Nämä turvatoimenpiteet pienentävät sähkötyökalun tahattoman käynnistymisen riskiä.
- d. Säilytä sähkötyökalut poissa lasten ulottuvilta, kun niitä ei käytetä. Älä anna sellaisten henkilöiden käyttää sähkötyökalua, jotka eivät ole perehtyneet sen käyttöön tai jotka eivät ole lukeneet tätä käyttöohjetta. Sähkötyökalut ovat vaarallisia, jos niitä käyttävät kokemattomat henkilöt.
- e. Pidä sähkötyökalut ja tarvikkeet moitteettomassa kunnossa. Tarkista, että liikkuvat osat toimivat moitteettomasti ja etteivät ne jumitua kiinni. Varmista lisäksi, ettei niissä ole murtuneita tai vahingoittuneita osia, jotka saattaisivat vaikuttaa haitallisesti sähkötyökalun toimintaan. Korjauta vioittuneet osat ennen käyttöä. Monen tapaturman syyt löytyvät huonosti huolletuista laitteista.
- f. Pidä leikkausterät terävinä ja puhtaina. Huolellisesti hoidetut leikkaustyökalut, joiden leikkausreunat ovat teräviä, eivät tartu helposti kiinni ja ovat helpommin hallittavissa.
- g. Käytä sähkötyökaluja, tarvikkeita, vaihtotyökaluja

- jne. näiden ohjeiden mukaisesti. Ota tällöin huomioon työolosuhteet ja suoritettava toimenpide. Sähkötyökalun käyttö muuhun kuin sille määrättyyn käyttöön saattaa johtaa vaarallisiin tilanteisiin.
- h. Pidä kahvat ja kädensijat kuivina ja puhtaina (öljyttöminä ja rasvattomina). Jos kahvat ja kädensijat ovat liukkailla, et pysty ylläpitävissä tilanteissa ohjaamaan ja hallitsemaan työkalua turvallisesti.

HUOLTO

- a. Anna koulutettujen ammattihenkilöiden korjata sähkötyökalusi ja hyväksy korjauksiin vain alkuperäisiä varaosia. Täten varmistat, että sähkötyökalu säilyy turvallisena.

LAITEKOHTAISET VARO-OHJEET

KUVIOSAHOJEN TURVALLISUUSVAROITUKSET

- a. Pidä sähkötyökalusta kiinni vain eristetyistä tartuntapinnoista, kun suoritat toimenpidettä, jossa leikkaava lisävaruste voi koskettaa piilotettua johdotusta tai työkalun omaa virtajohtoa. Kosketus jännitteeseen johtoon voi saattaa sähkötyökalun metalliosat jännitteisiiksi ja johtaa sähköiskuun.
- b. Tue työkalupale tukevaa alustaa vasten ja kiinnitä se kiristimillä tai muilla tarkoituksenmukaisilla välineillä. Työkappaleen piteileminen käsin tai vartaloa vasten ei tue työkalupaltoa riittävästi ja voi johtaa hallinnan menetykseen.
- c. Pidä kädet loitolla sahauskohdasta. Älä pane käsiä työkalupaleen alle. Sahanterää kosketettaessa on olemassa loukkaantumisaara.
- d. Käytä laitetta työkalupaleeseen vain silloin, kun laite on kytketty päälle. Muuten vaarana voi olla takaisku, kun leikkaustyökalu jumittuu työkalupaleeseen.
- e. Kun leikkaus on suoritettu, sammuta laite ja vedä sahanterä leikkauksesta pois vasta, kun terä on pysähtynyt. Tällä tavalla voit välttää takaiskun ja voit asettaa laitteen alas turvallisesti.
- f. Käytä vain teräviä, ehjiä sahanterä. Taittuneet tai tylpät sahanterät voivat hajota tai aiheuttaa takaiskun.
- g. Älä jarruta sahaa pysähdyksiin painamalla sitä sivulle sammuttamisen jälkeen. Sahanterä voi vahingoittua, hajota tai aiheuttaa takaiskun.
- h. Käytä sopivia estintälaitteita piilossa olevien syöttöjohtojen paikallistamiseksi tai käänny paikallisen jakeluhytön puoleen. Kosketus sähköjohtoon saattaa johtaa tulipaloon ja sähköiskuun. Kaasuputken vahingoittaminen saattaa johtaa räjähdykseen. Vesijohtoon tunkeutuminen aiheuttaa aineellista vahinkoa tai saattaa johtaa sähköiskuun.
- i. Varmista työkalupale. Kiinnityslaitteilla tai ruuvipenkkiin kiinnitetty työkalupale pysyy tukevammin paikoillaan kuin kädessä pidettynä.
- j. Pidä työpaikka puhtaana. Materiaalien sekoitukset ovat erityisen vaarallisia. Kevytmetallipöly saattaa syttyä palamaan tai räjähtää.
- k. Odota aina, että työkalu on pysähtynyt kokonaan, ennen kuin lasket sen käsistesi. Työkalu voi jumittua ja johtaa sähkötyökalun hallinnan menetykseen.
- l. Älä koskaan käytä työkalua, jonka kaapeli on vahingoittunut. Älä koskaan koske vahingoittunutta johtoa. Irrota verkkojohto, jos johto vahingoittuu työskennellessäsi. Vahingoittunut johto lisää sähköiskun vaaraa.

YLEISIÄ TYÖSKENTELYJALUSTAN TURVALLISUUSOHJEITA

- a. Irrota pistoke pistorasiasta ja/tai akku sähkötyökalusta ennen säätöjen tekemistä tai

lisävarusteiden vaihtamista. Sähkötyökälun tahaton käynnistyminen voi aiheuttaa onnettomuuksia.

- b. Kokoa työskentelyjalusta oikein ennen työkalun kiinnittämistä. Oikea kokoaminen on tärkeää romahtamisriskin estämiseksi.
- c. Kiinnitä sähkötyökalu varmasti työskentelyalustaan ennen käyttöä. Sähkötyökälun liikkuminen työskentelyalustalla voi aiheuttaa hallinnan menetyksen.
- d. Sijoita työskentelyjalusta lujalle, tasaiselle ja vaakasuoralle pohjalle. Jos työskentelyjalusta voi liikkua tai heilua, sähkötyökälua tai työkalua ei voi hallita vakaasti ja turvallisesti.



KÄYTÄ KUULUSUOJAIMIA (melu saattaa aiheuttaa kuulon menetystä)



ÄLÄ KOSKAAN TYÖSTÄ ASBESTIPITOISIA MATERIAALEJA (asbestia pidetään karsinogeenisena)



NOUDATA ASIANMUKAISIA VAROTOIMENPITEITÄ, JOS TYÖN AIKANA VOI MUODOSTUA TERVEDELLE VAARALLISTA, SYTTYVÄÄ TAI RÄJÄHTÄVÄÄ PÖLYÄ (jotkin pölytyypit voivat olla myös karsinogeenisia); käytä pölysuojainta sekä pölynpoistomuria, jos sellainen on käytettävissä

TEKNISET TIEDOT

Mallinumero	MS20
Tulo	70 W
Jännite	220-240 V~50/60 Hz
Joutokäyntinopeus	1500-2250/min
Maks. leikkuvuus	18 mm
Kurkun syvyys	250 mm
Vetopitus	8 mm
Paino	1,1 kg

Käytä täysin suoritettua ja turvallista jatkojohtoa, jonka kapasiteetti on 5 ampeeria. Tarkista aina, että syöttöjännite vastaa työkalun arvokilvessä ilmoitettua jännitettä.

YLEISTÄ ⑥

Moto-Saw on pienikokoinen ja helppokäyttöinen kaksi yhdessä -sähkösaaha. Sitä voidaan käyttää joko kiinteässä tilassa, jolloin työkalu on kiinni jalustassaan, tai kädessä pidettävässä tilassa. Tämä työkalu on suunniteltu tekemään tarkkoja suoria ja kaartuvia leikkauksia eri materiaaleihin, mukaan lukien pehmeä puu, kova puu, komposiittilauta, laminaatti, PVC ja pehmeä ohutlevy, kun sitä käytetään Dremelin suosittelemien lisätarvikkeiden kanssa.

- A. Jalkalevyn vapautuspainike
- B. Jalkalevy
- C. Tuen lukkovipu
- D. Ohjainura
- E. Runko
- F. Pölynpoistoaukko
- G. Virtakatkaisin
- H. Nopeussäädin
- I. Pidikkeet
- J. Kiinteä kiinnitysreikä
- K. Pikavapautuspainike
- L. Lisätarvikkeiden pikavapautusvipu

KÄYTTÖ



IRROTA PISTOKE VIRTALÄHTEESTÄ ENNEN KOKOONPANON JA SÄÄTÖTOIMENPITEIDEN ALOITTAMISTA TAI ENNEN LISÄTARVIKKEIDEN VAIHTAMISTA. Nämä turvatoimenpiteet estävät työkalun tahattoman käynnistytksen.

PÖLYNPOISTO

Työkalu on varustettu pölyportilla pölynpoistoa varten. Liitä imuriletku pölyporttiin.

KIINTEÄ TILA

Työkalun käyttäminen kiinteässä tilassa antaa sinulle vapauden leikata eri materiaaleja niin, että molemmat kätesi pitävät työkalua. Tässä tilassa voit viimeistellä erilaisia harrastus- ja puutyöprojekteja tarkasti ja helposti.

1. Varmista, että jalusta on kiinnitetty tasaiseen työpintaan mukana toimitettavien puristimien avulla ⑦. Jalusta voidaan kiinnittää pysyvästi työpenkkiin tavallisilla ruuveilla jalustan päällä olevien 2 reiän avulla. **Älä istu jalustan päälle tai nojaa siihen. Jalusta on tarkoitettu tukemaan leikattavia materiaaleja.**
2. Kun jalusta on kiinnitetty, kiinnitä työkalu siihen. Syötä ensin johto jalustan reiästä ja napsauta työkalu sitten jalustaan ⑧. Työkalu on tukevasti kiinnitetty, kun käsikäyttöinen yksikkö ja kiinteä jalusta ovat tiiviisti toisiaan vasten. **Käytä vain Dremel Moto-Saw'ta jalustassa. Muita sähkötyökäluja ei ole tarkoitettu jalustan kanssa käytettäväksi.**
3. Kun sahanterä on asetettu kuvan ⑨ mukaisesti, työkalun on valmis käyttöön.
4. Käynnistä työkalu ja anna sen saavuttaa täysi nopeutensa, ennen kuin aloitat työkalun käsittelyn. **Älä liikuta virtakatkaisinta, kun työkalu on käytössä.**

Paina jalkalevy alas työkalun päälle, jotta se ei heiluisi.

Voit minimoida työkalun värähtelyn pitämällä sitä kahdella kädellä sahanterän lähellä. Älä työnnä työkalua liian voimakkaasti sahanterää vasten. Terät ovat tarkoitettu hienovaraiseen käyttöön. Siksi on tärkeää, että terällä on aikaa leikata materiaaleja. Työkappaleen liiallinen paine aiheuttaa terän katkeamisen liian aikaisin.

Ennen kuin aloitat projektisi, tee muutama harjoitusleikkaus ylimääräisellä materiaalilla.

KÄYTTÖ KÄDESSÄ PITÄEN

Työkalun käyttäminen käsikäyttöisenä on suositeltavaa silloin, kun työkalu on liian suuri tai kiinteä eikä sitä voi asettaa jalustaan. Tyypillinen käsikäyttöinen työ sisältää kuvityötä tai pienempien palojen leikkaamista materiaalista. Käsikäyttöisenä työkalu toimii moottoriton lehti-kuviosahana.

1. P pikavapautuspainike painettuna samalla, kun irrotat työkalun jalustasta ⑩.
2. Kun työkalu on irrotettu, voit pitää sitä kädessäsi ⑪. **Kun leikkaat käsikäyttöisessä tilassa, varmista, että otteesi on hyvä.**
3. Yritä pitää laitteen pintaa työkalun pohjaa vasten tärinän vähentämiseksi ⑫.

REUNAOHJAIN ⑬

Reunaohjainta voidaan käyttää kummassa tahansa ohjainurassa.

Tätä lisätarviketta voidaan käyttää joko työntötkunna tai reunaohjaimena/tukena. Kun sitä käytetään työntötkunna, sitä ei tarvitse lukita uriin tuen lukkovivun avulla.

Ohjainta voi käyttää eri kulmissa. Voit säätää kulmaa löysäämällä ohjaimen siipimutteria ja kääntämällä pään haluttuun asentoon. Reunaohjain voidaan lukita paikalleen kääntämällä tuen lukkoviipua. Tämä estää ohjainta liukumasta urassa.

KUNNOSSAPITO JA PUHDISTUS

TYÖKALUN SISÄLLÄ EI OLE KÄYTTÄJÄN HUOLLETTAVIA OSIA. VALTUUTTAMATTOMIEN HENKILÖIDEN SUORITTAMAT ENNALTAEHKÄISET HUOLTOTOIMET VOIVAT JOHTAASISÄISTEN JOHTOJEN JA OSIEN VÄÄRÄÄN SIIJOITTAMISEEN, MIKÄ VOI AIHEUTTAA VAKAVAN VAARAN.

Työkälun voi puhdistaa tehokkaimmin paineilmalla. Käytä aina suojalaseja, kun puhdistat työkaluja paineilmalla.

ONNETTOMUUKSIEN VÄLTÄMISEKSI IRROTA TYÖKALU JA/TAI LATURI VIRTALÄHTEESTÄ ENNEN PUHDISTUSTA

Ilmanvaihtoaukot ja kytkimen vivut täytyy pitää siisteinä ja puhtaina vieraista materiaaleista. Älä yritä puhdistaa työkalua työntämällä aukkoihin teräviä esineitä.

TIETYT PUHDISTUSAINEET JA LIUOTTIMET VAHINGOITTAVAT MUOVIOISIA. Näitä ovat muun muassa bensini, hiilitetrakloridi, klooria sisältävät puhdistusliuotteet, ammoniakki sekä ammoniakkaa sisältävät talouspuhdistusaineet.

HUOLTO JA TAKUU

Suosittellemme, että Dremelin huoltopalvelu suorittaa kaikki työkalun huoltotoimenpiteet.

Tällä Dremelin-tuotteella on lakisääteinen / maakohtaisten säännösten mukainen takuu. Normaalisti kulumisesta johtuvat vauriot, ylikuormitus ja väärä käsittely ovat tämän takuun ulkopuolella.

Jos haluat tehdä valituksen, toimita työkalu tai laturi jälleenmyyjälle purkamattomana yhdessä ostokuitin kanssa.

DREMELIN YHTEYSTIEDOT

Huollosta ja takuusta, muista Dremelin tuotteista, tuesta ja hotline-puhelinpalvelusta löytyy lisätietoa osoitteesta www.dremel.com.

MELU JA TÄRINÄ

Äänenpainetaso (standardipoikkeama 3 dB) dB(A)	76,0
Äänitehotaso (standardipoikkeama 3 dB) dB(A)	87,0
Tärinä (pehmeän teräksen leikkaus) m/s ²	7,7
Tärinä (lastulevyn leikkaus) m/s ²	8,4
Tärinän epävarmuus K m/s ²	1,5

HUOMAUTUS: ilmoitettu tärinän kokonaisarvo(t) ja ilmoitettu melutasoarvo(t) on mitattu standardisoidun testausmenetelmän mukaisesti, ja niitä voidaan käyttää eri työkalujen vertailemiseen. Näitä arvoja voidaan käyttää myös tärinälle altistumisen alustavaan arviointiin.

Tärinä ja melutaso sähkötyökälun todellisen käytön aikana voivat poiketa ilmoitetusta kokonaisarvosta sen mukaan, millä tavalla työkalua käytetään. Arvioi altistus todellisissa käyttöoloissa ja tunnista sen mukaiset tarvittavat toimet henkilökohtaista suojaa varten (otetaan huomioon kaikki käyttösyklin osat, kuten ajat, jolloin työkalu on sammutettu tai vapaalla, varsinaisen käytön lisäksi).

HÄVITTÄMINEN

Työkalu, lisävarusteet ja pakkaus tulee lajitella ympäristöstävällistä kierrätystä varten.

VAIN EU:N JÄSENMAITA KOSKEVAT TIEDOT ⑥

Euroopan unionin sähkö- ja elektroniikkalaiteromodirektiivi 2012/19/EY ja sen voimaan saattavat kansalliset lait edellyttävät, että käytöstä poistetut sähkötyökälut kerätään ja hävitetään erikseen ympäristöstävällisesti.

ES

SÍMBOLOS UTILIZADOS

- ① LEA ESTAS INSTRUCCIONES
- ② UTILICE PROTECCIÓN AUDITIVA
- ③ UTILICE PROTECCIÓN OCULAR
- ④ CONSTRUCCIÓN DE CLASE II
- ⑤ NO ARROJE LAS HERRAMIENTAS ELÉCTRICAS A LA BASURA

ADVERTENCIAS GENERALES DE SEGURIDAD RELATIVAS A LA HERRAMIENTA ELÉCTRICA

ATENCIÓN LEA TODAS LAS ADVERTENCIAS DE PELIGRO, INSTRUCCIONES, ILUSTRACIONES Y ESPECIFICACIONES TÉCNICAS QUE SE SUMINISTRAN CON LA HERRAMIENTA ELÉCTRICA.

En caso de no atenderse a las instrucciones siguientes, podría provocar una descarga eléctrica, un incendio y/o lesiones serias. Guarde todas las advertencias e instrucciones para su futura consulta. El término "herramienta eléctrica" utilizado en las advertencias alude a la herramienta eléctrica, tanto la que se enchufa a la red eléctrica (con cable) como a la funciona con batería (sin cable).

PUUESTO DE TRABAJO

- Mantenga el área de trabajo limpia y bien iluminada. El desorden o una iluminación deficiente en las áreas de trabajo pueden provocar accidentes.
- No utilice la herramienta eléctrica en un entorno con peligro de explosión, en el que se encuentren líquidos, gases o polvo inflamables. Las herramientas eléctricas producen chispas que pueden llegar a inflamar los materiales en polvo o vapores.
- Mantenga a los niños y los espectadores apartados mientras utilice una herramienta eléctrica. Las distracciones podrían hacerle perder el control sobre el aparato.

SEGURIDAD ELÉCTRICA

- El enchufe de la herramienta eléctrica debe corresponder a la toma de corriente utilizada. No es admisible modificar el enchufe en forma alguna. No emplee adaptadores en aparatos dotados con una toma de tierra. Los enchufes sin modificar adecuados a las respectivas tomas de corriente reducen el riesgo de una descarga eléctrica.
- Evite que su cuerpo toque superficies conectadas a tierra como tuberías, radiadores, cocinas y refrigeradores. El riesgo a quedar expuesto a

una sacudida eléctrica es mayor si su cuerpo tiene contacto con tierra.

- c. No exponga las herramientas eléctricas a la lluvia ni a la humedad. Existe el peligro de recibir una descarga eléctrica si penetran ciertos líquidos en el aparato eléctrico.
- d. No maltrate el cable de alimentación. No utilice el cable de red para transportar o colgar el aparato, ni tire de él para sacar el enchufe de la toma de corriente. Mantenga el cable de alimentación alejado del calor, el aceite, los bordes afilados o las piezas móviles. Los cables dañados o enredados aumentan el riesgo de una descarga eléctrica.
- e. Al trabajar con la herramienta eléctrica en la intemperie utilice solamente cables de prolongación homologados para su uso en exteriores. La utilización de un cable de prolongación adecuado para su uso en exteriores reduce el riesgo de una descarga eléctrica.
- f. Si no tuviese más remedio que usar una herramienta eléctrica en un lugar húmedo, utilice una fuente de alimentación protegida con un dispositivo diferencial residual (DDR). La utilización de un DDR reduce el riesgo de descarga eléctrica.

SEGURIDAD DE PERSONAS

- a. Esté atento a lo que hace y emplee la herramienta eléctrica con sentido común. No utilice el aparato si está cansado o bajo la influencia del alcohol, drogas o medicamentos. El no estar atento durante el uso de un aparato puede provocarle serias lesiones.
- b. Utilice equipo de protección personal. Lleve siempre producción ocular. El riesgo a lesionarse se reduce considerablemente si, dependiendo del tipo y la aplicación de la herramienta eléctrica empleada, se utiliza un equipo de protección adecuado como una mascarilla antipolvo, zapatos de seguridad con suela antideslizante, casco, o protectores auditivos.
- c. Evite que la herramienta se ponga en marcha accidentalmente. Asegúrese de que el interruptor esté en la posición de apagado antes de conectar la herramienta a la fuente de alimentación o a las pilas, recoger o transportar la herramienta eléctrica. Si transporta el aparato sujetándolo por el interruptor de conexión/desconexión, o si pone en tensión el aparato conectado, ello puede dar lugar a un accidente.
- d. Retire las herramientas de ajuste o llaves fijas antes de conectar la herramienta eléctrica. Una herramienta o llave colocada en una pieza rotatoria puede provocar lesiones al ponerse en funcionamiento.
- e. No fuerce el acceso a lugares difíciles de alcanzar. Trabaje sobre una base firme y mantenga el equilibrio en todo momento. Ello le permitirá controlar mejor el aparato en caso de presentarse una situación inesperada.
- f. Vista adecuadamente. No utilice vestimenta holgada ni joyas. Mantenga el pelo, la ropa y los guantes alejados de las piezas móviles. La vestimenta holgada, el pelo largo y las joyas se pueden enganchar con las piezas en movimiento.
- g. Siempre que se suministren equipos de aspiración o captación de polvo, asegúrese de que estos estén conectados y se usen debidamente. El empleo de equipos de captación de polvo reduce los riesgos derivados del polvo.
- h. No permita que la familiaridad ganada por el uso frecuente de la herramienta eléctrica lo deje creerse seguro e ignorar las normas de seguridad. Una acción negligente puede causar lesiones graves en una fracción de segundo.

USO Y TRATO CUIDADOSO DE LAS HERRAMIENTAS ELÉCTRICAS

- a. No sobrecargue el aparato. Use la herramienta prevista para el trabajo a realizar. Con la herramienta adecuada podrá trabajar mejor y más seguro dentro del margen de potencia indicado.
- b. No utilice la herramienta con un interruptor defectuoso. Las herramientas que no puedan controlarse mediante el interruptor son peligrosas y deben hacerse reparar.
- c. Desconecte el enchufe de la toma de corriente o retire el paquete de baterías, si es extraíble, de la herramienta eléctrica antes de realizar en ella cualquier ajuste, cambiar accesorios o almacenarla. Estas medidas preventivas de seguridad reducen el riesgo de conexión accidental del aparato.
- d. Guarde las herramientas eléctricas fuera del alcance de los niños. No permita la utilización del aparato a aquellas personas que no estén familiarizadas con su uso o que no hayan leído estas instrucciones. Las herramientas eléctricas utilizadas por personas inexpertas son peligrosas.
- e. Realice el mantenimiento adecuado de las herramientas eléctricas y los accesorios. Controle si funcionan correctamente, sin atascarse, las partes móviles del aparato, y si existen piezas rotas o deterioradas que pudieran afectar al funcionamiento de la herramienta. Si están dañadas, haga reparar la herramienta eléctrica antes de utilizarla. Muchos de los accidentes se deben a aparatos con un mantenimiento deficiente.
- f. Mantenga los accesorios limpios y afilados. Las herramientas de corte con bordes cortantes afilados mantenidas correctamente tienen menos probabilidades de bloquearse y son más fáciles de controlar.
- g. Utilice herramientas eléctricas, accesorios, etc. de acuerdo a estas instrucciones. Considere en ello las condiciones de trabajo y la tarea a realizar. El uso de herramientas eléctricas para trabajos diferentes de aquellos para los que han sido concebidas puede resultar peligroso.
- h. Mantenga las empuñaduras y las superficies de las empuñaduras secas, limpias y libres de aceite y grasa. Las empuñaduras y las superficies de las empuñaduras resbaladizas no permiten un manejo y control seguro de la herramienta eléctrica en situaciones imprevistas.

SERVICIO

- a. Únicamente haga reparar su herramienta eléctrica por un profesional que emplee exclusivamente piezas de repuesto originales. Solamente así se velará por la seguridad del aparato.

ADVERTENCIAS DE SEGURIDAD ESPECÍFICAS PARA MÁQUINAS

ADVERTENCIAS DE SEGURIDAD PARA SIERRAS DE VAIVÉN

- a. Siempre que realice una operación en la que el accesorio de corte pueda entrar en contacto con cables ocultos o con su propio cable, sostenga la herramienta eléctrica por la empuñadura. El contacto con conductores bajo tensión puede hacer que las partes metálicas de la herramienta eléctrica le provoquen una descarga eléctrica.
- b. Utilice abrazaderas u otro modo práctico de asegurar y apoyar la pieza de trabajo en una plataforma estable. Si la sujeta con la mano o contra

su cuerpo, se inestabilizará y podrá perder el control sobre la herramienta.

- c. **Mantenga alejadas las manos del rango de corte.** No coloque las manos debajo de la pieza de trabajo. Podría lesionarse con la hoja de sierra.
- d. **Aplique la herramienta eléctrica en la pieza de trabajo únicamente cuando esté encendida.** De otro modo, existe el riesgo de que se produzca un contragolpe si la herramienta de corte se atasca en la pieza de trabajo.
- e. **Cuando se haya completado el corte, apague la herramienta y extraiga la hoja de sierra del corte, pero no antes de que se haya detenido completamente.** De este modo, evitará que se produzca un contragolpe y podrá depositar la herramienta de forma segura.
- f. **Utilice únicamente hojas de sierra afiladas y en buen estado.** Las hojas de sierra curvadas o romas pueden romperse o provocar un contragolpe.
- g. **Tras apagar la herramienta, no detenga la hoja de sierra aplicando presión lateral.** La hoja de sierra podría dañarse, romperse o provocar un contragolpe.
- h. **Utilice detectores adecuados para localizar posibles tuberías de agua y gas o cables eléctricos ocultos, o solicite asistencia a la empresa de servicios públicos.** El contacto con cables eléctricos puede provocar un incendio y descargas eléctricas. Los daños en las tuberías de gas pueden provocar una explosión. La perforación de una tubería de agua puede provocar daños materiales o provocar una descarga eléctrica.
- i. **Fije la pieza de trabajo.** Una pieza de trabajo sujeta con dispositivos de sujeción, o en un tornillo de banco, se mantiene fija de forma mucho más segura que si se sujeta manualmente.
- j. **Mantenga limpio su puesto de trabajo.** La mezcla de materiales es especialmente peligrosa. El polvo de las aleaciones ligeras puede arder o explotar.
- k. **Espera siempre a que la herramienta se haya detenido por completo antes de depositarla.** La inserción de la herramienta puede atascarse y provocar la pérdida de control sobre la herramienta eléctrica.
- l. **No utilice nunca la herramienta con un cable dañado.** Durante el trabajo, no toque el cable dañado ni tire del enchufe de la toma de corriente cuando el cable esté dañado. Los cables dañados aumentan el riesgo de descarga eléctrica.

ADVERTENCIAS DE SEGURIDAD GENERALES RELATIVAS AL SOPORTE DE TRABAJO

- a. **Desconecte el enchufe de la fuente de alimentación o la batería de la herramienta eléctrica antes de efectuar ajustes o cambiar accesorios.** La puesta en marcha accidental de la herramienta eléctrica es la causa de algunos accidentes.
- b. **Monte debidamente el soporte de trabajo antes de montar la herramienta.** Es importante realizar el montaje de manera apropiada, para impedir que se desplome.
- c. **Fije bien la herramienta eléctrica al soporte de trabajo antes de utilizarla.** El desplazamiento de la herramienta eléctrica en el soporte de trabajo puede ocasionar una pérdida de control sobre la misma.
- d. **Coloque el soporte de trabajo sobre una superficie sólida, plana y nivelada.** Si el soporte de trabajo puede moverse o balancearse, la herramienta eléctrica o la pieza de trabajo no podrán controlarse de manera estable y segura.

⚠ UTILICE PROTECTORES AUDITIVOS (el ruido intenso puede provocar sordera)

⚠ NO TRABAJE MATERIALES QUE CONTENGAN AMIANTO (el amianto es cancerígeno)

⚠ TOME MEDIDAS DE PROTECCIÓN ADECUADAS SI AL TRABAJAR PUDIERA GENERARSE POLVO INFLAMABLE, EXPLOSIVO, O NOCIVO PARA LA SALUD (ciertos tipos de polvo son cancerígenos); colóquese una mascarilla antipolvo y, si su herramienta viene equipada con la conexión correspondiente, utilice además un equipo de extracción de polvo/virutas adecuado.

ESPECIFICACIONES

Número de modelo	MS20
Entrada	70 W
Tensión	220-240 V~50/60 Hz
Velocidad sin carga	1500-2250/min
Profundidad máx. de corte	18 mm
Profundidad del cuello	250 mm
Longitud de recorrido	8 mm
Peso	1,1 kg

Cables de prolongación totalmente desenrollados y seguros con una capacidad de 5 amperios. Compruebe siempre que la tensión de suministro sea la misma que la indicada en la placa de identificación de la herramienta.

GENERAL ⑥

La Moto-Saw es una sierra de calar 2 en 1 compacta y muy fácil de usar. Puede utilizarse en modo fijo, cuando la herramienta esté acoplada en su base, o en modo portátil. Esta herramienta se ha diseñado para realizar cortes rectos o curvos precisos en distintos materiales, incluyendo madera blanda, madera dura, tableros compuestos, laminado, PVC o planchas de metal blando mediante el uso de los accesorios aplicables recomendados por Dremel.

- A. Botón de pie de liberación de sujeción
- B. Pie de sujeción
- C. Palanca de bloqueo del tope
- D. Carril de guía
- E. Base
- F. Salida de polvo
- G. Interruptor de encendido/apagado
- H. Interruptor del indicador de velocidad
- I. Abrazaderas de fijación
- J. Orificio de fijación permanente
- K. Botón de liberación rápida
- L. Palanca de cambio rápido de accesorio

USO

⚠ DESCONECTE EL ENCHUFE DE LA FUENTE DE ALIMENTACIÓN ANTES DE REALIZAR CUALQUIER MONTAJE, AJUSTE O CAMBIO DE ACCESORIO. Esta medida preventiva reduce el riesgo de poner en marcha el aparato de forma accidental.

EXTRACCIÓN DEL POLVO

La herramienta está equipada con una salida de polvo para extraer el polvo. Para utilizar esta función, enganche una manguera de aspiración en el orificio de salida del polvo.

MODO FIJO

El uso de la herramienta en modo fijo permite cortar distintos materiales mientras sujeta la pieza de trabajo con

ambas manos. En este modo, puede llevar a cabo distintos proyectos en madera de manera precisa y sencilla.

1. Compruebe que la base esté firmemente sujeta a una superficie de trabajo plana mediante las abrazaderas suministradas (7). La base puede asegurarse permanentemente a un banco de trabajo si se colocan tornillos ordinarios en los 2 orificios situados en la parte superior de la base.

No se sienta ni se apoye en la base. La base ha sido diseñada para soportar los materiales que se están cortando.

2. Una vez que haya asegurado la base, acople la herramienta: primero pase el cable a través del orificio de la base y, a continuación, encaje la unidad en la base (8). La herramienta estará firmemente acoplada cuando la herramienta portátil y la base fija estén niveladas.

Utilice únicamente la Moto-Saw de Dremel en la base. La base no está diseñada para su uso con otras herramientas eléctricas.

3. Una vez haya insertado la hoja de sierra según se ilustra en (9), la herramienta estará lista para su uso.
4. Ponga en marcha la herramienta y déjela que alcance la velocidad adecuada antes de ponerla en contacto con la pieza de trabajo.

No encienda ni apague la herramienta mientras esté bajo carga.

Presione el pie de sujeción en la pieza de trabajo para evitar que esta rebote.

Para minimizar las vibraciones, sujete la pieza de trabajo con ambas manos cerca de la hoja de sierra.

No empuje la pieza de trabajo con demasiada fuerza contra las hojas de sierra. Estas hojas son para un uso delicado. Por lo tanto, es importante que la hoja tenga tiempo de cortar los materiales. Una presión excesiva sobre la pieza de trabajo provocará que la hoja se parta.

Antes de empezar a trabajar en su proyecto, realice algunos cortes de práctica sobre material de desecho.

MODO PORTÁTIL

El uso de la herramienta en modo portátil es aconsejable cuando la pieza de trabajo es demasiado grande o está fija y no puede colocarse sobre la base. Habitualmente, el uso portátil incluye trabajos de remate o el corte de pequeñas piezas de material. En modo portátil, la herramienta funciona como una sierra de marquetería motorizada.

1. Mantenga pulsado el botón de liberación rápida para desacoplar la herramienta de la base (10).
2. Una vez desacoplada, podrá sostener la herramienta en la mano (11). **Mientras corte en modo portátil, asegúrese de sujetar la herramienta con firmeza.**
3. Intente alinear la superficie de la herramienta contra el fondo de la pieza de trabajo para reducir las vibraciones (12).

GUÍA DE BORDE (13)

La guía de borde puede utilizarse en cualquiera de los carriles de guía.

Este accesorio puede usarse como una varilla de empuje o como guía de borde/tope. Cuando se utilice como varilla de empuje, no será necesario bloquearla en los carriles con la palanca de bloqueo del tope.

La guía puede utilizarse en distintos ángulos. Para ajustar el ángulo, afloje el tornillo de mariposa en la guía y gire el cabezal hasta la posición deseada.

La guía de borde puede bloquearse en su sitio girando la palanca de bloqueo del tope. Al accionar el bloqueo, la guía no se deslizará por el carril.

MANTENIMIENTO Y LIMPIEZA

⚠ SIN PIEZAS UTILIZABLES POR EL USUARIO EN EL INTERIOR. EL MANTENIMIENTO PREVENTIVO DEBE SER REALIZADO POR PERSONAL AUTORIZADO, SI NO FUERA ASÍ LA CONEXIÓN INCORRECTA DEL CABLEADO Y LOS COMPONENTES INTERNOS PUEDE DAR LUGAR A UN GRAVE PELIGRO.

El aire comprimido es el medio de limpieza más eficaz. **Utilice siempre gafas protectoras cuando limpie herramientas con aire comprimido.**

⚠ PARA EVITAR ACCIDENTES, DESCONECTE SIEMPRE LA HERRAMIENTA O EL CARGADOR DE LA FUENTE DE ALIMENTACIÓN ANTES DE EFECTUAR UNA LIMPIEZA

Los orificios de ventilación y los interruptores deben mantenerse limpios y libres de materia extraña. No intente limpiar la herramienta insertando objetos puntiagudos por las aberturas.

⚠ CIERTOS AGENTES DETERGENTES Y DISOLVENTES DAÑARÁN LAS PIEZAS DE PLÁSTICO. Algunos de estos agentes son: gasolina, tetracloruro de carbono, disolventes de limpieza clorados, amoníaco y detergentes para el hogar a base de amoníaco.

REPARACIÓN Y GARANTÍA

Se recomienda que cualquier reparación de la herramienta se realice en un centro de servicio Dremel.

Este producto de Dremel está garantizado de acuerdo con el reglamento estatutario o específico de cada país; cualquier problema debido al desgaste normal, a una sobrecarga de la herramienta o a un uso indebido quedará excluido de la garantía.

Si desea presentar una queja, envíe la herramienta desmontada, junto con un justificante de compra, al establecimiento en el que realizó la compra.

DATOS DE CONTACTO DE DREMEL

Para obtener más información sobre la gama de productos, el soporte técnico o la línea de atención al cliente de Dremel, visite www.dremel.com.

RUIDO Y VIBRACIONES

Nivel de presión sonora (desviación estándar 3dB)	
dB(A)	76,0
Nivel de potencia acústica (desviación estándar 3dB)	
dB(A)	87,0
Vibraciones (cortando acero suave) m/s ²	7,7
Vibraciones (cortando madera aglomerada) m/s ²	8,4
Vibraciones incertidumbre K m/s ²	1,5

NOTA: El valor (o los valores) total de la vibración declarado y el valor (o los valores) de emisión de ruido declarado se han medido de acuerdo con un método de prueba estándar y puede utilizarse para comparar una herramienta con otra. También se pueden utilizar para una evaluación preliminar de la exposición.

Dependiendo de cómo se utilicen, las emisiones de vibraciones y ruido durante la utilización de la herramienta eléctrica pueden diferir del valor total declarado. Realice una estimación de la exposición en las condiciones reales de uso e identifique las consiguientes medidas de seguridad que se deben tomar para la protección personal

(teniendo en cuenta todas las partes del ciclo operativo, como por ejemplo, las ocasiones en las que la herramienta se desconecta, las ocasiones en las que está encendida pero está parada y además el tiempo en el que está activada).

ELIMINACIÓN

La herramienta, los accesorios y los embalajes deben clasificarse para un reciclaje respetuoso con el medio ambiente.

SOLO PARA LOS PAÍSES DE LA UE ⑥

Conforme a la Directiva europea 2012/19/CE sobre residuos de aparatos eléctricos y electrónicos, tras su conversión en ley nacional, las herramientas eléctricas deberán recogerse por separado y desecharse de forma respetuosa con el medio ambiente.

PT

SÍMBOLOS UTILIZADOS

- ① LEIA ESTAS INSTRUÇÕES
- ② USE PROTEÇÃO AURICULAR
- ③ USE ÓCULOS DE PROTEÇÃO
- ④ FABRICO DE CLASSE II
- ⑤ NÃO COLOQUE FERRAMENTAS ELÉTRICAS NO LIXO COMUM

AVISOS GERAIS DE SEGURANÇA DA FERRAMENTA ELÉTRICA

⚠ ATENÇÃO LEIA TODAS AS INDICAÇÕES DE AVISO DE SEGURANÇA, INSTRUÇÕES, ILUSTRAÇÕES E ESPECIFICAÇÕES FORNECIDAS COM A FERRAMENTA ELÉTRICA.

O incumprimento de alguma das indicações aqui descritas poderá resultar em eletrocussão, incêndio e/ou lesões graves. Guarde todos os avisos e instruções para posteriores consultas. O termo "ferramenta elétrica" nos avisos refere-se à sua ferramenta ligada à corrente elétrica (cabo) ou alimentada por bateria (sem cabo).

SEGURANÇA NA ÁREA DE TRABALHO

- a. Mantenha a sua área de trabalho sempre limpa e bem iluminada. Áreas desarrumadas ou pouco iluminadas podem causar acidentes.
- b. Não manuseie ferramentas elétricas em ambientes com materiais explosivos como, por exemplo, líquidos, gases ou pós inflamáveis. As ferramentas elétricas geram faíscas que podem inflamar pós ou vapores.
- c. Mantenha as crianças e outras pessoas afastadas da ferramenta elétrica durante a utilização. As distrações podem provocar perda de controle da ferramenta.

SEGURANÇA ELÉTRICA

- a. A ficha de ligação da ferramenta elétrica deve ser indicada para a tomada. Não tente modificar a ficha. Não utilize nenhum tipo de adaptador para a ficha em ferramentas elétricas ligadas à terra.

As fichas não modificadas e tomadas apropriadas reduzem o risco de eletrocussão.

- b. Evite tocar ou encostar-se a superfícies em contacto com o solo, tais como tubos, radiadores, fogões e frigoríficos. Há um risco elevado de eletrocussão se o corpo servir de canal para a corrente de terra.
- c. Não deixe ferramentas elétricas à chuva nem permita que se molhem. A infiltração de água numa ferramenta elétrica aumenta o risco de eletrocussão.
- d. Não force o cabo. Nunca deve transportar, puxar ou desligar a ferramenta elétrica pelo cabo. Mantenha o cabo afastado de fontes de calor, óleo, arestas afiadas ou peças em movimento. Cabos danificados ou emaranhados aumentam o risco de eletrocussão.
- e. Quando utilizar uma ferramenta elétrica no exterior, use uma extensão elétrica indicada para uso externo. A utilização de um cabo de extensão apropriado para áreas exteriores reduz o risco de eletrocussão.
- f. Se tiver de operar uma ferramenta elétrica num local húmido, utilize uma fonte de alimentação protegida por um dispositivo diferencial residual (DDR). A utilização de um DDR reduz o risco de eletrocussão.

PROTEÇÃO PESSOAL

- a. Esteja atento, tenha cuidado com o que está a fazer e seja prudente quando trabalhar com a ferramenta elétrica. Não utilize a ferramenta elétrica quando estiver fatigado ou sob influência de drogas, álcool ou medicamentos. Um momento de descuido ao utilizar ferramentas elétricas pode provocar lesões graves.
- b. Utilize equipamento de proteção pessoal. Use sempre óculos de proteção. A utilização de equipamento de proteção, como máscara antipoeiras e sapatos antiderrapantes, capacete de segurança ou proteção auricular de acordo com o tipo e aplicação da ferramenta elétrica, reduz o risco de lesões.
- c. Evite ligar a ferramenta de forma involuntária. Antes de introduzir a ficha na fonte de alimentação e/ou a bateria, pegar ou transportar a ferramenta elétrica, assegure-se de que o interruptor está na posição de desligado. Poderão ocorrer acidentes se tiver o dedo no interruptor ao transportar a ferramenta elétrica ou se esta for ligada à corrente pronta a funcionar com o botão ligado.
- d. Retire ferramentas ou chaves de ajuste antes de ligar a ferramenta elétrica. Uma ferramenta ou chave deixada numa peça da ferramenta elétrica em movimento pode provocar lesões.
- e. Não tente exceder os seus limites de alcance. Mantenha sempre uma posição firme e equilibrada. Desta forma poderá controlar melhor a ferramenta elétrica em situações inesperadas.
- f. Use roupa apropriada. Não use roupa larga nem joalheria. Mantenha o cabelo, vestuário e luvas afastados das peças em movimento. Joalheria, roupas largas ou cabelos longos podem ficar presos nas peças em movimento.
- g. Se for possível montar dispositivos de recolha ou de aspiração de poeiras, assegure-se de que estão encaixados e são utilizados corretamente. A utilização de dispositivos de recolha de poeiras pode reduzir o perigo associado a poeiras.
- h. Não deixe que a familiaridade resultante da utilização frequente das ferramentas o leve a ser complacente e a ignorar os princípios de segurança da ferramenta. Uma ação descuidada

pode causar ferimentos graves numa fração de segundo.

UTILIZAÇÃO E CUIDADOS A TER COM A FERRAMENTA ELÉTRICA

- a. Não force a ferramenta elétrica. Utilize a ferramenta elétrica mais adequada ao trabalho que vai executar. É melhor e mais seguro trabalhar com a ferramenta elétrica apropriada no regime de potência indicado.
- b. Não utilize a ferramenta elétrica se o interruptor estiver defeituoso. Uma ferramenta elétrica que não pode ser controlada através do interruptor torna-se perigosa e deve ser reparada.
- c. Desligue a ficha da fonte de alimentação e/ou remova a bateria, caso seja amovível, antes de executar ajustes, substituir acessórios ou guardar ferramentas elétricas. Tais medidas preventivas de segurança reduzem o risco de ligação acidental da ferramenta elétrica.
- d. Guarde as ferramentas elétricas desligadas fora do alcance das crianças e não permita que sejam manuseadas por pessoas não familiarizadas com a utilização das mesmas ou que não tenham lido estas instruções. As ferramentas elétricas tornam-se perigosas nas mãos de pessoas inexperientes.
- e. Mantenha as ferramentas elétricas em bom estado. Verifique se existem peças móveis desalinhadas ou emperradas, peças fissuradas e outras condições que possam comprometer o funcionamento da ferramenta elétrica. Se estiver danificada, mande-a reparar antes de voltar a utilizá-la. Muitos acidentes surgem por falta de manutenção adequada das ferramentas elétricas.
- f. Mantenha as ferramentas de corte afiadas e limpas. As ferramentas de corte bem cuidadas e com arestas de corte afiadas emperram com menos frequência e são mais fáceis de controlar.
- g. Utilize a ferramenta elétrica, acessórios e ponteiros, entre outros, de acordo com estas instruções e tendo em conta as condições de trabalho e a tarefa a ser executada. A utilização de ferramentas elétricas para outras tarefas que não as previstas poderá originar situações perigosas.
- h. Mantenha os punhos e as superfícies de agarrar secas, limpas e livres de óleo e massa consistente. Punhos e superfícies de agarrar escorregadias não permitem o manuseio e controle seguros da ferramenta em situações imprevistas.

ASSISTÊNCIA

- a. A sua ferramenta elétrica deve ser reparada por pessoal técnico qualificado que utilize apenas peças de substituição idênticas. Desta forma é assegurada a segurança da ferramenta elétrica.

AVISOS DE SEGURANÇA ESPECÍFICOS DA MÁQUINA

AVISOS DE SEGURANÇA PARA SERRAS TICO-TICO


- a. Segure a ferramenta elétrica nas superfícies isoladas ao executar trabalhos em que o acessório de corte pode tocar em fios escondidos ou no próprio cabo. O contacto do acessório de corte com um cabo sob tensão pode colocar sob tensão as peças metálicas da ferramenta elétrica e provocar choque elétrico.
- b. Utilize grampos de fixação ou qualquer outra forma prática para fixar e apoiar a peça de trabalho numa plataforma estável. Se segurar na peça de trabalho

com as mãos ou se a encostar ao corpo, a peça fica instável e pode perder o controlo da ferramenta elétrica.

- c. Mantenha as mãos afastadas do alcance da serra. Não toque na peça de trabalho pelo lado de baixo. O contacto com a lâmina da serra pode provocar ferimentos.
- d. Utilize a ferramenta na peça de trabalho somente quando esta estiver ligada. Caso contrário, existe perigo de contragolpe quando a ferramenta de corte fica presa na peça.
- e. Quando tiver concluído o processo de corte, desligue a ferramenta e, de seguida, retire a lâmina de serra do corte somente quando esta se encontrar imobilizada. Desta forma, evita contragolpes e pode pousar a ferramenta com segurança.
- f. Utilize somente lâminas afiadas e sem defeitos. Lâminas dobradas ou mal afiadas podem partir-se ou originar contragolpes.
- g. Não pare a lâmina de serra aplicando pressão lateral após ter desligado a ferramenta. A lâmina pode ficar danificada, partir-se ou originar contragolpes.
- h. Utilize detetores apropriados para encontrar cabos ou canos escondidos na área de trabalho ou solicite assistência à respetiva empresa de serviços públicos local. O contacto com cabos elétricos pode provocar um incêndio e choques elétricos. Danos em canos de gás podem provocar explosões. A perfuração de canos de água causa danos materiais ou pode provocar choques elétricos.
- i. Fixe a peça de trabalho. Uma peça fixa com dispositivos de aperto ou num torno de bancada fica mais firme do que se a segurar com a mão.
- j. Mantenha o seu local de trabalho limpo. Misturas de materiais são especialmente perigosas. Os pó de ligas metálicas leves podem arder ou explodir.
- k. Aguarde sempre até a ferramenta estar totalmente imobilizada antes de a pousar. O encaixe da ferramenta pode ficar preso e fazer com que o utilizador perca o controlo desta.
- l. Nunca utilize a ferramenta se esta tiver algum cabo danificado. Não toque no cabo danificado e retire a ficha elétrica caso o cabo seja danificado durante o trabalho. Os cabos danificados aumentam o risco de choque elétrico.

AVISOS GERAIS DE SEGURANÇA DO SUPORTE DE TRABALHO

- a. Desligue a ficha da fonte de alimentação e/ou a bateria da ferramenta elétrica antes de executar ajustes ou substituir acessórios. Alguns acidentes são provocados pelo arranque acidental da ferramenta elétrica.
- b. Monte o suporte de trabalho de forma adequada antes de instalar a ferramenta. É importante montá-lo corretamente para evitar que se desmonte.
- c. Antes de utilizar a ferramenta elétrica, fixe-a bem ao suporte de trabalho. A instabilidade do suporte pode levar à perda de controlo da ferramenta elétrica.
- d. Posicione o suporte de trabalho numa superfície estável, plana e nivelada. Quando o suporte de trabalho tende a oscilar ou trepidar, não é possível controlar devidamente a ferramenta elétrica ou a peça de trabalho.

 **USE PROTEÇÃO AURICULAR** (a exposição a ruídos pode provocar surdez)

 **NÃO TRABALHE COM MATERIAIS QUE CONTENHAM AMIANTO** (o amianto é considerado cancerígeno)

TOME MEDIDAS DE PROTEÇÃO SE, DURANTE O TRABALHO, HOUVER POSSIBILIDADE DE PRODUZIR PÓS NOCIVOS PARA A SAÚDE, INFLAMÁVEIS OU EXPLOSIVOS (alguns pós são considerados cancerígenos); use uma máscara antipoeiras e, se possível, monte um dispositivo de aspiração de poeiras/lascas

ESPECIFICAÇÕES

Número do modelo	MS20
Entrada	70 W
Tensão	220-240V~50/60Hz
Velocidade de rotação em vazio	1,500-2,250/min
Profundidade máx. de corte	18 mm
Profundidade de inserção	250 mm
Comprimento do golpe	8 mm
Peso	1,1 kg

Utilize extensões elétricas totalmente desenroladas e seguras, com uma capacidade de 5 A. Verifique sempre se a tensão de alimentação é idêntica à indicada na placa de identificação da ferramenta.

GERAL ⑥

A Moto-Saw é uma serra tico-tico compacta 2 em 1 de fácil utilização. Tanto pode ser utilizada no modo estacionário, quando a ferramenta se encontra fixa na respetiva base, como no modo manual. Esta ferramenta permite efetuar cortes retos e curvos precisos em diversos materiais, incluindo madeira macia, madeira dura, tábuas de compósito, laminados, PVC ou folha de metal macia, utilizando os acessórios indicados, conforme recomendado pela Dremel.

- A. Botão de desengate da patilha de fixação
- B. Patilha de fixação
- C. Manipulo de bloqueio do delimitador
- D. Calha guia
- E. Base
- F. Coletor de poeiras
- G. Interruptor de ligar/desligar
- H. Botão de velocidades
- I. Grampos de fixação
- J. Orifício de fixação permanente
- K. Botão de desengate rápido
- L. Manipulo de substituição rápida de acessórios

UTILIZAÇÃO

DESLIGUE A FICHA DA FONTE DE ALIMENTAÇÃO ANTES DE INSTALAR, AJUSTAR OU SUBSTITUIR ACESSÓRIOS. Tais medidas preventivas de segurança reduzem o risco de ligação acidental da ferramenta.

EXTRAÇÃO DE POEIRAS

Esta ferramenta está equipada com um coletor para extração de poeiras. Para utilizar esta funcionalidade, aplique um tubo de aspirador no coletor de poeiras.

MODO ESTACIONÁRIO

Utilizar a ferramenta no modo estacionário permite-lhe cortar diferentes materiais, recorrendo a ambas as mãos para segurar a peça de trabalho. Neste modo, pode realizar de forma fácil e precisa diversos projetos de trabalho em madeira ou relacionados com os seus passatempos.

1. Certifique-se de que a base se encontra fixa de modo seguro a uma superfície de trabalho plana com a ajuda dos grampos fornecidos ⑦. A base pode ficar fixa permanentemente a uma bancada com parafusos normais colocados através de 2 orifícios localizados na parte superior da base.
Não se sente nem apoie na base. A base destina-se a suportar os materiais que estão a ser cortados.
2. Assim que a base esteja fixa, assente a ferramenta na mesma: primeiro passe o cabo através do orifício da base e depois basta colocar a ferramenta na base até ouvir um clique ⑧. A ferramenta encontra-se assente de modo seguro quando a ferramenta manual e a base estacionária se encontram encaixadas e niveladas.
Utilize apenas a Dremel Moto-Saw na base. A base não é adequada a outras ferramentas elétricas.
3. Quando a lâmina estiver instalada conforme ilustrado ⑨, a ferramenta está pronta a ser utilizada.
4. Ligue a ferramenta e deixe-a atingir a velocidade correta antes de tocar na peça de trabalho.
Não ligue e desligue o interruptor enquanto a ferramenta estiver em carga de trabalho.

Empurre a patilha de fixação em direção à peça de trabalho para prevenir ricochetes.

Para minimizar a vibração, segure a peça de trabalho com as duas mãos perto da lâmina de serra.

Não empurre a peça de trabalho com muita força contra as lâminas de serra. Estas lâminas devem ser utilizadas com cuidado. Assim sendo, é essencial que a lâmina tenha tempo para cortar os materiais. Aplicar demasiada pressão na peça de trabalho fará com que a lâmina se parta.

Antes de começar a trabalhar no seu projeto, experimente praticar num pedaço de material inutilizado.

MODO MANUAL

Recomenda-se a utilização da ferramenta no modo manual quando a peça de trabalho é demasiado grande ou fixa e não pode ser colocada na base. Normalmente, a utilização da ferramenta neste modo é útil para, por exemplo, executar trabalhos de recorte ou cortar partes mais pequenas de materiais. No modo manual, a ferramenta funciona como uma serra de recorte/arco motorizada.

1. Mantenha o botão de desengate rápido pressionado quando estiver a retirar a ferramenta da base ⑩.
2. Quando a ferramenta estiver separada da base, pode segurá-la com as mãos ⑪. **Ao efetuar cortes em modo manual, certifique-se de que segura firmemente na ferramenta.**
3. Tente alinhar a superfície da ferramenta com a parte inferior da peça de trabalho para reduzir a vibração ⑫.

RÉGUA DE CORTADOR ⑬

A régua de cortador pode ser utilizada em qualquer umas das calhas guia.

Este acessório pode ser utilizado como ferramenta de empurrar ou como delimitador/régua de cortador. Quando utilizado como ferramenta de empurrar, não é necessário fixá-lo nas calhas com o manipulo de bloqueio do delimitador.

A régua pode ser utilizada em diversos ângulos. Para ajustar o ângulo, desaperte o parafuso borboleta na régua e rode a cabeça para a posição desejada.

A régua de cortador pode ser bloqueada no respetivo local, girando o manipulo de bloqueio do delimitador. Ao fazê-lo, impedirá que a régua deslize pela calha.

MANUTENÇÃO E LIMPEZA

⚠ NÃO MEXER NO INTERIOR DA FERRAMENTA. OS TRABALHOS DE MANUTENÇÃO PREVENTIVA EXECUTADOS POR PESSOAL NÃO AUTORIZADO PODEM RESULTAR NA LIGAÇÃO INCORRETA DOS FIOS INTERNOS E MONTAGEM INADEQUADA DE COMPONENTES, O QUE PODERÁ REPRESENTAR UM VERDADEIRO PERIGO.

A ferramenta pode ser limpa com maior eficácia utilizando ar comprimido seco. **Use sempre óculos de proteção quando limpar ferramentas com ar comprimido.**

⚠ PARA EVITAR ACIDENTES, DESLIGUE SEMPRE A FERRAMENTA E/OU O CARREGADOR DA FONTE DE ALIMENTAÇÃO ANTES DE LIMPAR

As aberturas de ventilação e os interruptores devem permanecer limpos e sem resíduos. Não tente limpar a ferramenta enfiando objetos pontiagudos pelas aberturas.

⚠ DETERMINADOS AGENTES E SOLVENTES DE LIMPEZA DANIFICAM OS PLÁSTICOS. *Eis alguns deles: gasolina, tetracloreto de carbono, solventes de limpeza clorados, amônia e detergentes para o lar que contêm amônia.*

ASSISTÊNCIA TÉCNICA E GARANTIA

Recomendamos que todos os serviços de assistência sejam executados por um Centro de Assistência Dremel. A garantia deste produto Dremel está em conformidade com a legislação de cada país. A garantia não cobre avarias provocadas pelo desgaste normal, sobrecargas ou utilização indevida.

Em caso de reclamação, envie a ferramenta e/ou carregador por desmontar, juntamente com o comprovativo de compra, para o seu agente autorizado.

CONTACTAR A DREMEL

Para obter mais informações sobre a assistência técnica, garantia, gama de produtos Dremel, apoio ao cliente e o número da linha direta, vá a www.dremel.com.

RUÍDO E VIBRAÇÃO

Nível de potência acústica (desvio padrão de 3dB) dB(A)	76,0
Nível de pressão acústica (desvio padrão de 3dB) dB(A)	87,0
Vibração (cortar aço macio) m/s ²	7,7
Vibração (cortar aglomerado) m/s ²	8,4
Vibração incerteza K m/s ²	1,5

NOTA: O valor total de vibração declarado e o(s) valor(es) de emissão sonora declarado(s) foram medidos de acordo com um método de ensaio normalizado e pode ser utilizado para comparar ferramentas entre si. Podem também ser utilizados para uma avaliação preliminar de exposição.

A emissão de vibrações e sonora durante a utilização desta ferramenta elétrica pode divergir do valor total declarado dependendo da forma como a ferramenta é utilizada. Faça uma estimativa da exposição nas condições atuais de utilização e identifique as medidas de segurança de proteção pessoal em conformidade (tendo em conta todas as fases do ciclo de trabalho, como as vezes em que desliga a ferramenta e quando esta está ligada com o dedo no interruptor).

ELIMINAÇÃO

A ferramenta, os respetivos acessórios e embalagem devem ser devidamente separados e enviados para a reciclagem adequada.

APENAS PARA PAÍSES DA CE ⁽⁶⁾

De acordo com a Diretiva Europeia 2012/19/CE relativa aos Resíduos de Equipamentos Elétricos e Eletrónicos e as respetivas implementações nas leis nacionais, as ferramentas elétricas que perderam utilidade têm de ser separadas, recolhidas e eliminadas de forma ecológica.

EL

ΧΡΗΣΙΜΟΠΟΙΟΥΜΕΝΑ ΣΥΜΒΟΛΑ

- 1 ΔΙΑΒΑΣΤΕ ΑΥΤΕΣ ΤΙΣ ΟΔΗΓΙΕΣ
- 2 ΧΡΗΣΙΜΟΠΟΙΗΣΤΕ ΠΡΟΣΤΑΤΕΥΤΙΚΑ ΑΚΟΗΣ
- 3 ΧΡΗΣΙΜΟΠΟΙΗΣΤΕ ΠΡΟΣΤΑΤΕΥΤΙΚΑ ΓΥΑΛΙΑ
- 4 ΚΑΤΑΣΚΕΥΗ ΚΛΑΣΗΣ ΙΙ
- 5 ΜΗΝ ΡΙΧΝΕΤΕ ΤΑ ΗΛΕΚΤΡΙΚΑ ΕΡΓΑΛΕΙΑ ΣΤΑ ΟΙΚΙΑΚΑ ΑΠΟΡΡΙΜΜΑΤΑ

ΓΕΝΙΚΕΣ ΠΡΟΕΙΔΟΠΟΙΗΣΕΙΣ ΑΣΦΑΛΕΙΑΣ ΓΙΑ ΗΛΕΚΤΡΙΚΑ ΕΡΓΑΛΕΙΑ

⚠ ΠΡΟΕΙΔΟΠΟΙΗΣΗ ΔΙΑΒΑΣΤΕ ΟΛΕΣ ΤΙΣ ΠΡΟΕΙΔΟΠΟΙΗΣΕΙΣ ΑΣΦΑΛΕΙΑΣ, ΤΙΣ ΟΔΗΓΙΕΣ, ΤΙΣ ΑΠΕΙΚΟΝΙΣΕΙΣ ΚΑΙ ΤΙΣ ΠΡΟΔΙΑΓΡΑΦΕΣ ΠΟΥ ΠΑΡΕΧΟΝΤΑΙ ΜΕ ΑΥΤΟ ΤΟ ΗΛΕΚΤΡΙΚΟ ΕΡΓΑΛΕΙΟ.

Η μη συμμόρφωση με όλες τις παρακάτω υποδείξεις μπορεί να οδηγήσει σε ηλεκτροπληξία, φωτιά ή/και σε σοβαρό τραυματισμό. Φυλάξτε όλες τις προειδοποιήσεις και τις οδηγίες για μελλοντική αναφορά. Ο όρος "ηλεκτρικό εργαλείο" στις προειδοποιήσεις αναφέρεται σε ηλεκτρικά εργαλεία που τροφοδοτούνται με ρεύμα από το δίκτυο ρεύματος (ενσωμάτωση) ή σε ηλεκτρικά εργαλεία που τροφοδοτούνται με ρεύμα από μπαταρίες (ασύρματα).

ΑΣΦΑΛΕΙΑ ΧΩΡΟΥ ΕΡΓΑΣΙΑΣ

- a. Διατηρείτε τον χώρο εργασίας καθαρό και καλά φωτισμένο. Η αταξία και οι σκοτεινές περιοχές προκαλούν ατυχήματα.
- b. Μην χρησιμοποιείτε ηλεκτρικά εργαλεία σε χώρους με εκρηκτική ατμόσφαιρα, όπως π.χ. παρουσία εύφλεκτων υγρών, αερίων ή σκόνης. Τα ηλεκτρικά εργαλεία δημιουργούν σπινθήρες, οι οποίοι μπορούν να αναφλέξουν τη σκόνη ή τις αναθυμιάσεις.
- c. Όταν χρησιμοποιείτε ένα ηλεκτρικό εργαλείο, να κρατάτε μακριά τα παιδιά και τα άλλα παρευρισκόμενα άτομα. Σε περίπτωση απόσπασης της προσοχής σας μπορεί να χάσετε τον έλεγχο του εργαλείου.

ΗΛΕΚΤΡΙΚΗ ΑΣΦΑΛΕΙΑ

- a. Το φως του ηλεκτρικού εργαλείου πρέπει να ταιριάζει με την πρίζα ρεύματος. Σε καμία περίπτωση δεν επιτρέπεται η μετατροπή του φως. Μην χρησιμοποιείτε προσαρμογές φως με γειωμένα ηλεκτρικά εργαλεία. Τα μη μεταποιημένα φως και οι κατάλληλες πρίζες μειώνουν τον κίνδυνο ηλεκτροπληξίας.
- b. Αποφύγετε την επαφή του σώματός σας με γειωμένες επιφάνειες, όπως σωλήνες, θερμαντικά

σώματα, εστίες και ψυγεία. Όταν το σώμα σας είναι γειωμένο, αυξάνεται ο κίνδυνος ηλεκτροπληξίας.

- c. Μην εκθέτετε τα ηλεκτρικά εργαλεία στη βροχή ή στην υγρασία. Η διείσδυση νερού σε ένα ηλεκτρικό εργαλείο αυξάνει τον κίνδυνο ηλεκτροπληξίας.
- d. Μην χρησιμοποιείτε το καλώδιο με λάθος τρόπους. Μην χρησιμοποιείτε το καλώδιο για να μεταφέρετε ή να τραβήξετε το ηλεκτρικό εργαλείο, ή για να βγάλετε το φως από την πρίζα. Προφυλάξτε το καλώδιο από θερμότητα, λάδια, κοφτερές ακμές ή κινούμενα αντικείμενα. Τα φθαρμένα ή μπερδεμένα καλώδια αυξάνουν τον κίνδυνο ηλεκτροπληξίας.
- e. Όταν εργάζεστε με ένα ηλεκτρικό εργαλείο στην ύπαιθρο, να χρησιμοποιείτε καλώδιο επέκτασης (μπαλαντζέα) κατάλληλο για χρήση στην ύπαιθρο. Η χρήση ενός καλωδίου κατάλληλου για την ύπαιθρο μειώνει τον κίνδυνο ηλεκτροπληξίας.
- f. Εάν πρέπει οπωσδήποτε να χρησιμοποιήσετε ένα ηλεκτρικό εργαλείο σε έναν υγρό χώρο, χρησιμοποιήστε παροχή ρεύματος που προστατεύεται με διάταξη προστασίας ρεύματος διαρροής (RCD). Η χρήση διάταξης RCD μειώνει τον κίνδυνο ηλεκτροπληξίας.

ΠΡΟΣΩΠΙΚΗ ΑΣΦΑΛΕΙΑ

- a. Να είστε προσεκτικοί, να δίνετε προσοχή στην εργασία που κάνετε και να χειρίζεστε με περίσκεψη το ηλεκτρικό εργαλείο. Μην χρησιμοποιείτε ένα ηλεκτρικό εργαλείο όταν είστε κουρασμένοι ή υπό την επήρεια ναρκωτικών, οινοπνεύματος ή φαρμάκων. Μια στιγμή απροσεξίας κατά τον χειρισμό του ηλεκτρικού εργαλείου μπορεί να οδηγήσει σε σοβαρούς τραυματισμούς του χειριστή.
- b. Να χρησιμοποιείτε προσωπικό εξοπλισμό προστασίας. Να χρησιμοποιείτε πάντοτε προστατευτικά γυαλιά. Η χρήση κατάλληλου εξοπλισμού ασφάλειας ανάλογα με τις συνθήκες –όπως μάσκα σκόνης, αντιολισθητικά υποδήματα ασφαλείας, κράνος, ή προστατευτικά ακοής– μειώνει τις πιθανότητες τραυματισμού σας.
- c. Αποφύγετε την αθέλητη εκκίνηση και λειτουργία. Βεβαιωθείτε ότι ο διακόπτης βρίσκεται στη θέση OFF πριν συνδέσετε το εργαλείο στο ρεύμα και/ή τις μπαταρίες, καθώς και πριν σκώσετε ή μεταφέρετε το εργαλείο. Όταν μεταφέρετε ηλεκτρικά εργαλεία με το δάκτυλό σας στον διακόπτη, ή όταν συνδέετε ηλεκτρικά εργαλεία σε μια παροχή ρεύματος με τον διακόπτη λειτουργίας στη θέση ON, υπάρχει κίνδυνος ατυχήματος.
- d. Απομακρύνετε κάθε κλειδί ρύθμισης ή κλειδί τσοκ προτού θέσετε το ηλεκτρικό εργαλείο σε λειτουργία. Ένα κλειδί τσοκ ή ένα κλειδί ρύθμισης προσαρτημένο σ' ένα περιστρεφόμενο εξάρτημα του ηλεκτρικού εργαλείου μπορεί να οδηγήσει σε τραυματισμούς.
- e. Μην υπερεκτιμάτε τον εαυτό σας. Να λαμβάνετε σωστή στάση και να κρατάτε πάντοτε την ισορροπία σας. Αυτό βοηθά στον καλύτερο έλεγχο του ηλεκτρικού εργαλείου σε περιπτώση απροσδόκητων καταστάσεων.
- f. Να φοράτε σωστή ενδυμασία. Μην φοράτε φαρδιά ρούχα ή κοσμήματα. Κρατάτε τα μαλλιά, τα ρούχα και τα γάντια σας μακριά από τα κινούμενα μέρη. Χαλαρά ρούχα, κοσμήματα ή μακριά μαλλιά μπορεί να εμπλακούν στα κινούμενα μέρη.
- g. Όταν υπάρχουν διατάξεις για σύνδεση σε αναρρόφηση και συλλογή σκόνης, βεβαιωθείτε ότι είναι συνδεδεμένες και χρησιμοποιούνται σωστά. Η χρήση συστήματος συλλογής σκόνης μπορεί να μειώσει τους κινδύνους που προκαλούνται από τη σκόνη.
- h. Μην εφησυχάζετε σε μια λάθος ασφάλεια και μην αφηγάτε τους κανόνες ασφαλείας για τα ηλεκτρικά εργαλεία, ακόμα και όταν μετά από συχνή χρήση

είστε εξοικειωμένοι με το εργαλείο. Ένας απρόσεκτος χειρισμός μπορεί μέσα σε κλάσματα του δευτερολέπτου να οδηγήσει σε σοβαρούς τραυματισμούς.

ΧΡΗΣΗ ΚΑΙ ΦΡΟΝΤΙΔΑ ΗΛΕΚΤΡΙΚΩΝ ΕΡΓΑΛΕΙΩΝ

- a. Μην “ζορίζετε” το ηλεκτρικό εργαλείο. Να χρησιμοποιείτε το σωστό ηλεκτρικό εργαλείο για την εργασία σας. Το σωστό ηλεκτρικό εργαλείο καθιστά την εργασία σας καλύτερη και ασφαλέστερη όταν εργάζεστε στην ταχύτητα για την οποία κατασκευάστηκε.
- b. Μην χρησιμοποιείτε το ηλεκτρικό εργαλείο εάν ο διακόπτης δεν μπορεί να ενεργοποιηθεί και να απενεργοποιηθεί. Ένα ηλεκτρικό εργαλείο το οποίο δεν μπορεί να ελεγχθεί με τον διακόπτη είναι επικίνδυνο και πρέπει να επισκευαστεί.
- c. Πριν κάνετε οποιοσδήποτε ρυθμίσεις, αλλάξετε εξαρτήματα ή αποθηκεύσετε το ηλεκτρικό εργαλείο, αποσυνδέστε το φως από την πρίζα ρεύματος ή/ και αφαιρέστε τη συστοιχία μπαταριών (αν είναι αφαιρούμενη) από το ηλεκτρικό εργαλείο. Τα προληπτικά μέτρα ασφαλείας μειώνουν τον κίνδυνο της εκκίνησης του ηλεκτρικού εργαλείου κατά λάθος.
- d. Να φυλάτε τα ηλεκτρικά εργαλεία που δε χρησιμοποιούνται μακριά από τα παιδιά και μην επιτρέψετε τη χρήση του ηλεκτρικού εργαλείου σε άτομα που δεν είναι εξοικειωμένα με αυτό το ηλεκτρικό εργαλείο ή με αυτές τις οδηγίες λειτουργίας του ηλεκτρικού εργαλείου. Τα ηλεκτρικά εργαλεία είναι επικίνδυνα όταν χρησιμοποιούνται από άπειρα άτομα.
- e. Να συντηρείτε τα ηλεκτρικά εργαλεία. Να ελέγχετε την ευθυγράμμιση και τις συνδέσεις των κινούμενων εξαρτημάτων, εάν έχουν φθορές, καθώς και οτιδήποτε άλλο μπορεί να επηρεάσει τη λειτουργία των ηλεκτρικών εργαλείων. Εάν υπάρχουν ζημιές, δώστε το ηλεκτρικό εργαλείο για επισκευή πριν το χρησιμοποιήσετε. Η κακή συντήρηση των ηλεκτρικών εργαλείων αποτελεί αιτία πολλών ατυχημάτων.
- f. Διατηρείτε τα εργαλεία κοπής κοφτερά και καθαρά. Τα σωστά συντηρημένα εργαλεία κοπής με κοφτερές ακμές κοπής μπλοκάρουν δυσκολότερα και ελέγχονται ευκολότερα.
- g. Να χρησιμοποιείτε το ηλεκτρικό εργαλείο, τα εξαρτήματα, τις μύτες κ.λπ. σύμφωνα με αυτές τις οδηγίες, λαμβάνοντας υπόψη τις συνθήκες εργασίας και την εργασία που πρέπει να γίνει. Η χρήση του ηλεκτρικού εργαλείου για εργασίες που δεν προβλέπονται για αυτό μπορεί να δημιουργήσει επικίνδυνες καταστάσεις.
- h. Διατηρείτε τις λαβές και επιφάνειες λαβής στεγνές, καθαρές και ελεύθερες από λάδι και γράσο. Οι ολισθηρές λαβές και επιφάνειες λαβής δεν επιτρέπουν ασφαλή χειρισμό και έλεγχο του ηλεκτρικού εργαλείου σε απρόβλεπτες καταστάσεις.

ΣΕΡΒΙΣ

- a. Δώστε το ηλεκτρικό εργαλείο σας για σέρβις σ' ένα ειδικευμένο στις επισκευές άτομο, το οποίο χρησιμοποιεί μόνο γνήσια ανταλλακτικά εξαρτήματα. Έτσι εξασφαλίζεται η διατήρηση της ασφάλειας του ηλεκτρικού εργαλείου.

ΠΡΟΕΙΔΟΠΟΙΗΣΕΙΣ ΑΣΦΑΛΕΙΑΣ ΓΙΑ ΤΟ ΣΥΓΚΕΚΡΙΜΕΝΟ ΜΗΧΑΝΗΜΑ

ΠΡΟΕΙΔΟΠΟΙΗΣΕΙΣ ΑΣΦΑΛΕΙΑΣ ΓΙΑ ΣΕΓΕΣ

- a. Να πιάνετε το ηλεκτρικό εργαλείο από τις μονωμένες επιφάνειες λαβής όταν εκτελείτε

εργασίες κατά τις οποίες το εξάρτημα κοπής μπορεί να έρθει σε επαφή με κρυμμένους αγωγούς ρεύματος ή με το δικό του καλώδιο. Η επαφή με έναν ηλεκτροφόρο αγωγό μπορεί να θέσει τα μεταλλικά μέρη του ηλεκτρικού εργαλείου υπό τάση και προκαλέσει έτσι ηλεκτροπληξία.

- b. Να χρησιμοποιείτε σφικτήρες ή άλλους πρακτικούς τρόπους για την ασφάλιση και τη στήριξη του αντικείμενου εργασίας σε μια σταθερή πλατφόρμα. Το κράτημα του αντικείμενου εργασίας με το χέρι ή σε επαφή με το σώμα σας δεν παρέχει επαρκή σταθερότητα και μπορεί να οδηγήσει σε απώλεια ελέγχου.
- c. Να κρατάτε τα χέρια σας μακριά από την περιοχή κοπής. Μην βάζετε τα χέρια σας κάτω από το αντικείμενο εργασίας. Τυχόν επαφή με την πριονόλαμα μπορεί να προκαλέσει τραυματισμούς.
- d. Να εφαρμόζετε το ηλεκτρικό εργαλείο στο αντικείμενο εργασίας μόνο αφού το θέσετε σε λειτουργία. Διαφορετικά υπάρχει κίνδυνος "κλόστηματος" εάν μπλοκάρει το εργαλείο κοπής στο αντικείμενο εργασίας.
- e. Όταν ολοκληρωθεί η κοπή, απενεργοποιήστε το εργαλείο και τραβήξτε την πριονόλαμα έξω από την τομή μόνο αφού ακινητοποιηθεί. Με αυτόν τον τρόπο μπορείτε να αποφύγετε το κλόστημα και να αφήσετε κάτω το εργαλείο με ασφάλεια.
- f. Να χρησιμοποιείτε μόνο κοφτερές πριονόλαμες σε άψογη κατάσταση. Οι στραβωμένες ή στομωμένες πριονόλαμες ενδέχεται να σπάσουν ή να προκαλέσουν "κλόστημα".
- g. Μην σταματάτε την πριονόλαμα εφαρμόζοντας πλευρική πίεση αφού απενεργοποιήσετε το εργαλείο. Η πριονόλαμα ενδέχεται να καταστραφεί, να σπάσει ή να κλοστήσει.
- h. Να χρησιμοποιείτε κατάλληλες συσκευές ανίχνευσης για τον εντοπισμό κρυφών γραμμών δικτύων κοινής ωφέλειας στην περιοχή εργασίας ή να συμβουλευέστε την τοπική εταιρία κοινής ωφέλειας. Η επαφή με γραμμές ρεύματος μπορεί να έχει ως αποτέλεσμα πυρκαγιά και ηλεκτροπληξία. Η πρόκληση ζημιάς σε έναν αγωγό αερίου μπορεί να έχει ως αποτέλεσμα έκρηξη. Το τρύπημα ενός σωλήνα νερού θα προκαλέσει υλικές ζημιές ή/και ηλεκτροπληξία.
- i. Να ασφαλίσετε το αντικείμενο εργασίας. Το αντικείμενο εργασίας συγκρατείται ασφαλέστερα με σφικτήρες ή με την τοποθέτηση σε μια μέγερη, παρά με τα χέρια σας.
- j. Να διατηρείτε καθαρό τον χώρο εργασίας. Τα μίγματα από διάφορα υλικά είναι ιδιαίτερος επικίνδυνος. Η σκόνη από ελαφρά μέταλλα μπορεί να αναφλεχθεί ή να εκραγεί.
- k. Πριν ακουμπήσετε κάτω το εργαλείο, να περιμένετε πάντα να σταματήσει πλήρως. Το εξάρτημα του ηλεκτρικού εργαλείου μπορεί να μπλοκάρει, με αποτέλεσμα απώλεια του ελέγχου του εργαλείου.
- l. Μην χρησιμοποιείτε ποτέ το εργαλείο με φθαρμένο καλώδιο. Εάν το καλώδιο πάθει ζημιά κατά τη διάρκεια της εργασίας, μην το αγγίζετε και αποσυνδέστε το φως από την παροχή ρεύματος. Τα φθαρμένα καλώδια αυξάνουν τον κίνδυνο ηλεκτροπληξίας.

ΓΕΝΙΚΕΣ ΠΡΟΕΙΔΟΠΟΙΗΣΕΙΣ ΑΣΦΑΛΕΙΑΣ ΓΙΑ ΠΑΓΚΟΥΣ ΕΡΓΑΣΙΑΣ

- a. Πριν κάνετε οποιοσδήποτε ρυθμίσεις ή αλλάξετε εξαρτήματα, αποσυνδέστε το φως από την πρίζα ρεύματος ή/και τη συστοιχία μπαταριών από το ηλεκτρικό εργαλείο. Εάν το ηλεκτρικό εργαλείο τεθεί κατά λάθος σε λειτουργία, μπορεί να προκληθούν ατυχήματα.
- b. Συναρμολογήστε σωστά τον πάγκο εργασίας

πριν στερεώσετε το εργαλείο σε αυτόν. Η σωστή συναρμολόγηση είναι σημαντική για την πρόληψη πτώσης ή κατάρρευσης.

- c. Πριν από τη χρήση, στερεώστε με ασφάλεια το ηλεκτρικό εργαλείο στον πάγκο εργασίας. Η μετακίνηση του ηλεκτρικού εργαλείου στον πάγκο εργασίας μπορεί να προκαλέσει απώλεια του ελέγχου.
- d. Τοποθετήστε τον πάγκο εργασίας σε μια στέρεη, επίπεδη και οριζόντια επιφάνεια. Εάν ο πάγκος εργασίας μπορεί να μετακινήθει ή να δονείται, δεν θα ελέγχετε σταθερά και με ασφάλεια το ηλεκτρικό εργαλείο ή το αντικείμενο εργασίας.

▲ ΦΟΡΕΣΤΕ ΩΤΑΣΠΙΔΕΣ (η έκθεση σε θόρυβο μπορεί να προκαλέσει απώλεια της ακοής)

▲ ΜΗΝ ΚΑΤΕΡΓΑΖΕΣΤΕ ΥΛΙΚΑ ΠΟΥ ΠΕΡΙΕΧΟΥΝ AMIANTO (ο αμιάντος θεωρείται καρκινογόνο υλικό)

▲ ΝΑ ΛΑΜΒΑΝΕΤΕ ΠΡΟΣΤΑΤΕΥΤΙΚΑ ΜΕΤΡΑ ΟΤΑΝ ΚΑΤΑ ΤΗΝ ΕΡΓΑΣΙΑ ΣΑΣ ΕΝΔΕΧΕΤΑΙ ΝΑ ΔΗΜΙΟΥΡΓΗΘΕΙ ΕΠΙΒΛΑΒΗΣ, ΕΥΦΛΕΚΤΗ Η ΕΚΡΗΚΤΙΚΗ ΣΚΟΝΗ (ορισμένα είδη σκόνης θεωρούνται καρκινογόνα)· να φοράτε μάσκα προστασίας από τη σκόνη και να χρησιμοποιείτε διάταξη αναρρόφησης για τη σκόνη/τα ροκανίδια/τα γρέζια όπου είναι δυνατόν

ΠΡΟΔΙΑΓΡΑΦΕΣ

Αριθμός μοντέλου MS20
Εισόδος 70 W
Τάση 220-240V~50/60Hz
Ταχύτητα χωρίς φορτίο . . . 1500-2250 στροφές/λεπτό
Μέγιστο βάθος κοπής . . . 18 χιλ.
Βάθος επεξεργασίας . . . 250 χιλ.
Μήκος παλινδρόμησης . . 8 χιλ.
Βάρος 1,1 κιλά

Να χρησιμοποιείτε ασφαλή καλώδια επέκτασης (μπαλαντζές) 5 Αμπέρ, τα οποία να ξετυλίγετε πλήρως. Να ελέγχετε πάντα ότι η τάση της παροχής ρεύματος είναι ίδια με την τάση που αναφέρεται στην ετικέτα τύπου του εργαλείου.

ΓΕΝΙΚΑ ⑥

Το εργαλείο Moto-Saw είναι μια σέγα 2-σε-1 μικρών διαστάσεων και πολύ εύκολη στη χρήση. Μπορεί να χρησιμοποιηθεί είτε σε στατική διαμόρφωση, στερεωμένη στη βάση της, είτε κρατώντας την στο χέρι. Αυτό το εργαλείο είναι σχεδιασμένο για την εκτέλεση ευθύγραμμων και καμπύλων τομών ακριβείας σε διάφορα υλικά, όπως μαλακό ξύλο, σκληρό ξύλο, συνθετικές επιφάνειες, laminate, PVC ή φύλλα μαλακού μετάλλου χρησιμοποιώντας τα κατάλληλα εξαρτήματα που συνιστώνται από την Dremel.

- A. Κουμπί απασφάλισης πέλματος καθήλωσης
- B. Πέλμα καθήλωσης
- C. Μοχλός ασφάλισης προστατευτικού
- D. Αυλάκωση οδήγησης
- E. Βάση
- F. Θυρίδα σκόνης
- G. Διακόπτης λειτουργίας (on/off)
- H. Διακόπτης επιλογής ταχύτητας
- I. Σφικτήρες ασφάλισης
- J. Οπή μόνιμης στερέωσης
- K. Κουμπί γρήγορης απασφάλισης
- L. Μοχλός γρήγορης αλλαγής εξαρτημάτων

ΧΡΗΣΗ



ΑΠΟΣΥΝΔΕΣΤΕ ΤΟ ΦΙΣ ΑΠΟ ΤΗΝ ΠΑΡΟΧΗ ΡΕΥΜΑΤΟΣ ΠΡΙΝ ΕΚΤΕΛΕΣΤΕ ΟΠΟΙΟΣΔΗΠΟΤΕ ΕΡΓΑΣΙΑΣ ΣΥΝΑΡΜΟΛΟΓΗΣΗΣ, ΡΥΘΜΙΣΗΣ Η ΑΛΛΑΓΗΣ ΕΞΑΡΤΗΜΑΤΩΝ. Αυτά τα προληπτικά μέτρα ασφάλειας μειώνουν τον κίνδυνο ακούσιας εκκίνησης του ηλεκτρικού εργαλείου.

ΕΞΑΓΩΓΗ ΣΚΟΝΗΣ

Το εργαλείο διαθέτει μια θυρίδα για την εξαγωγή της σκόνης. Για να χρησιμοποιήσετε αυτήν τη δυνατότητα, συνδέστε έναν σωλήνα αναρρόφησης στη θυρίδα σκόνης.

ΣΤΑΤΙΚΗ ΔΙΑΜΟΡΦΩΣΗ

Η χρήση του εργαλείου σε στατική διαμόρφωση σας δίνει την ελευθερία να κόβετε διάφορα υλικά κρατώντας το αντικείμενο εργασίας και με τα δύο σας χέρια. Σε αυτήν τη διαμόρφωση, μπορείτε να διεκπεραιώσετε διάφορες εργασίες ή να κατεργάζεστε ξύλινα αντικείμενα με ακρίβεια και ευκολία.

- Βεβαιωθείτε ότι η βάση είναι στερεωμένη με ασφάλεια σε μια επίπεδη επιφάνεια εργασίας με τη βοήθεια των παρεχόμενων σφικτήρων (7). Η βάση μπορεί να στερεωθεί μόνιμα σε έναν πάγκο εργασίας με απλές βίδες, χρησιμοποιώντας τις 2 οπές που υπάρχουν στην επάνω πλευρά της βάσης.
Μην κάθεται στη βάση και μην στηρίζετε πάνω της. Η βάση προορίζεται για τη στήριξη των υλικών που κόβονται.
- Αφού ασφαλιστεί η βάση, στερεώστε το εργαλείο σε αυτήν: αρχικά περάστε το καλώδιο μέσα από την οπή της βάσης και κατόπιν κουμπώστε απλώς το εργαλείο μέσα στη βάση (8). Το εργαλείο έχει στερεωθεί με ασφάλεια όταν το εργαλείο χείρας και η στατική βάση βρίσκονται στο ίδιο επίπεδο.
Στη βάση να χρησιμοποιείτε μόνο το εργαλείο Dremel Moto-Saw. Η βάση δεν είναι σχεδιασμένη για χρήση με άλλα ηλεκτρικά εργαλεία.
- Αφού εισάγετε την πριονόλαμα όπως βλέπετε στην εικόνα (9), το εργαλείο είναι έτοιμο για λειτουργία.
- Ξεκινήστε το εργαλείο και περιμένετε μέχρι να φτάσει στη σωστή ταχύτητα πριν το ακουμπήσετε στο αντικείμενο εργασίας.
Μην ενεργοποιείτε/απενεργοποιείτε το εργαλείο όταν βρίσκεται υπό φορτίο.

Πίστετε κάτω το πέλμα καθήλωσης επάνω στο αντικείμενο εργασίας για να αποτρέψετε τις αναπηδήσεις του. Για να ελαχιστοποιήσετε τους κραδασμούς, κρατήστε το αντικείμενο εργασίας κοντά στην πριονόλαμα και με τα δύο σας χέρια. Μην πιέζετε το αντικείμενο εργασίας με υπερβολική δύναμη επάνω στις πριονόλαμες. Οι λάμες προορίζονται για απαλή χρήση. Συνεπώς, είναι σημαντικό να αφήνετε στη λάμα επαρκή χρόνο για να κόψει τα υλικά. Η υπερβολική πίεση στο αντικείμενο εργασίας θα έχει ως αποτέλεσμα πρόωρη θραύση της λάμας.
Πριν ξεκινήσετε την εργασία σας, κάντε μερικές δοκιμαστικές κοπές σε άχρηστα υλικά.

ΔΙΑΜΟΡΦΩΣΗ ΓΙΑ ΚΡΑΤΗΜΑ ΣΤΟ ΧΕΡΙ

Η χρήση του εργαλείου κρατώντας το στο χέρι συνιστάται όταν το αντικείμενο εργασίας είναι πολύ μεγάλο ή σταθερά στερεωμένο κάπου και δεν μπορεί να τοποθετηθεί στη βάση. Τυπικά παραδείγματα χρήσης με κράτημα του εργαλείου στο χέρι είναι οι εσωτερικές τομές και οι κοπές σχετικά μικρών κομματιών υλικών. Κατά τη χρήση κρατώντας το στο χέρι, το εργαλείο λειτουργεί ως ηλεκτρική σέγα ξυλοκοπτικής.

- Κρατήστε σταθερά πατημένο το κουμπί γρήγορης απασφάλισης καθώς αποσυνδέετε το εργαλείο από τη βάση του (10).
- Αφού αποσυνδέσει το εργαλείο, μπορείτε να το κρατήσετε στο χέρι (11). **Κατά την κοπή με κράτημα στο χέρι, βεβαιωθείτε ότι πιάνετε σταθερά το εργαλείο.**
- Προσταθήστε να ευθυγραμμίσετε την επιφάνεια του εργαλείου με την κάτω πλευρά του αντικειμένου εργασίας για να μειώσετε τους κραδασμούς (12).

ΟΔΗΓΟΣ ΑΚΜΗΣ (13)

Ο οδηγός ακμής μπορεί να χρησιμοποιηθεί σε οποιαδήποτε από τις αυλακώσεις οδήγησης. Αυτό το προσάρτημα μπορεί να χρησιμοποιηθεί ως ράβδος πίεσης ή ως οδηγός ακμής/προστατευτικό. Όταν χρησιμοποιείται ως ράβδος πίεσης, δεν χρειάζεται κλειδίωμα στις αυλακώσεις με τον μοχλό ασφάλισης προστατευτικού. Ο οδηγός μπορεί να χρησιμοποιηθεί σε διάφορες γωνίες. Για να ρυθμίσετε τη γωνία, χαλαρώστε την πεταλούδα στον οδηγό και περιστρέψτε την κεφαλή στην επιθυμητή θέση. Μπορείτε να κλειδώσετε τον οδηγό ακμής σε μια θέση γυρίζοντας τον μοχλό ασφάλισης προστατευτικού. Η ενεργοποίησή του εμποδίζει την ολίσθηση του οδηγού στην αυλάκωση.

ΣΥΝΤΗΡΗΣΗ ΚΑΙ ΚΑΘΑΡΙΣΜΟΣ



ΔΕΝ ΥΠΑΡΧΟΥΝ ΕΞΑΡΤΗΜΑΤΑ ΠΟΥ ΜΠΟΡΕΙΤΕ ΝΑ ΕΠΙΣΚΕΥΑΣΤΕ ΜΟΝΟΙ ΣΤΟ ΕΣΩΤΕΡΙΚΟ. ΕΑΝ ΓΙΝΕΙ ΠΡΟΛΗΠΤΙΚΗ ΣΥΝΤΗΡΗΣΗ ΑΠΟ ΜΗ-ΕΞΟΥΣΙΟΔΟΤΗΜΕΝΑ ΑΤΟΜΑ, ΤΑ ΕΣΩΤΕΡΙΚΑ ΚΑΛΩΔΙΑ, ΟΙ ΑΓΩΓΟΙ ΚΑΙ ΤΑ ΕΞΑΡΤΗΜΑΤΑ ΜΠΟΡΕΙ ΝΑ ΣΥΝΔΕΘΟΥΝ ΜΕ ΛΑΘΟΣ ΤΡΟΠΟ ΚΑΙ ΝΑ ΠΡΟΚΛΗΘΟΥΝ ΣΟΒΑΡΟΙ ΤΡΑΥΜΑΤΙΣΜΟΙ.

Ο πιο αποτελεσματικός τρόπος καθαρισμού του εργαλείου είναι με ξηρό συμπιεσμένο αέρα. **Όταν καθαρίζετε εργαλεία με συμπιεσμένο αέρα, να φοράτε πάντα γυαλιά ασφαλείας.**



ΓΙΑ ΝΑ ΑΠΟΦΥΓΕΤΕ ΤΥΧΟΝ ΑΤΥΧΗΜΑΤΑ, ΝΑ ΑΠΟΣΥΝΔΕΣΤΕ ΠΑΝΤΑ ΤΟ ΕΡΓΑΛΕΙΟ ΚΑΙ/Η ΤΟ ΦΟΡΤΙΣΤΗ ΑΠΟ ΤΗΝ ΠΗΓΗ ΤΡΟΦΟΔΟΣΙΑΣ ΡΕΥΜΑΤΟΣ ΠΡΙΝ ΑΠΟ ΤΟΝ ΚΑΘΑΡΙΣΜΟ

Οι θυρίδες αερισμού και οι μοχλοί των διακοπών πρέπει να διατηρούνται καθαροί και ελεύθεροι από ξένα σώματα. Μην προσπαθήσετε να καθαρίσετε το εργαλείο εισάγοντας μπερά αντικείμενα μέσα από τα ανοίγματα.



ΟΡΙΣΜΕΝΑ ΥΛΙΚΑ ΚΑΘΑΡΙΣΜΟΥ ΚΑΙ ΔΙΑΛΥΤΕΣ ΠΡΟΚΑΛΟΥΝ ΖΗΜΙΕΣ ΣΤΑ ΠΛΑΣΤΙΚΑ ΜΕΡΗ. Ορισμένα από αυτά είναι: βενζίνη, τετραχλωράνθρακας, χλωριωμένα διαλύματα καθαρισμού, αμμωνία και υγρά καθαρισμού οικιακής χρήσης που περιέχουν αμμωνία.

ΣΕΡΒΙΣ ΚΑΙ ΕΓΓΥΗΣΗ

Για οποιαδήποτε εργασία συντήρησης ή επισκευής των εργαλείων, σας συνιστούμε να απευθύνεστε σε ένα Κέντρο Επισκευών Dremel.

Αυτό το προϊόν Dremel είναι εγγυημένο σύμφωνα με τη νομοθεσία και τους κανονισμούς της συγκεκριμένης χώρας. Οι βλάβες που οφείλονται σε φυσιολογική φθορά, υπερφόρτωση ή εσφαλμένο χειρισμό δεν καλύπτονται από την εγγύηση.

Σε περίπτωση προβλήματος, στείλτε το εργαλείο ή/και τον φορτιστή στον προμηθευτή σας, χωρίς να τα αποσυναρμολογήσετε, μαζί με το παραστατικό αγοράς.

ΕΠΑΦΗ ΜΕ ΤΗΝ DREMEL

Για περισσότερες πληροφορίες σχετικά με την επισκευή και την εγγύηση του προϊόντος, για τη σειρά προϊόντων Dremel, καθώς και για υπηρεσίες υποστήριξης και την τηλεφωνική γραμμή άμεσης εξυπηρέτησης, ανατρέξτε στην ιστοσελίδα www.dremel.com.

ΘΟΡΥΒΟΣ ΚΑΙ ΚΡΑΔΑΣΜΟΙ

Στάθμη ηχητικής πίεσης (τυπική απόκλιση 3dB) dB(A)	76,0
Επίπεδο ηχητικής ισχύος (τυπική απόκλιση 3dB) dB(A)	87,0
Κραδασμοί (κοπή μαλακού χάλυβα) m/s ²	7,7
Κραδασμοί (κοπή μοριοσανίδας) m/s ²	8,4
Αβεβαιότητα κραδασμών K m/s ²	1,5

ΣΗΜΕΙΩΣΗ: Η μέτρηση της δεδηλωμένης συνολικής τιμής κραδασμών και της δεδηλωμένης τιμής εκπομπής θορύβου έγινε σύμφωνα με μια πρότυπη μέθοδο ελέγχου και μπορεί να χρησιμοποιηθεί για τη σύγκριση ενός εργαλείου με κάποιο άλλο. Μπορούν επίσης να χρησιμοποιηθούν για την προκαταρκτική εκτίμηση της έκθεσης.

Οι κραδασμοί και η εκπομπή θορύβου κατά την πραγματική χρήση του ηλεκτρικού εργαλείου μπορεί να διαφέρουν από τη δεδηλωμένη συνολική τιμή, ανάλογα με τους τρόπους με τους οποίους χρησιμοποιείτε το εργαλείο. Εκτιμήστε την έκθεση στις πραγματικές συνθήκες χρήσης και προσδιορίστε ανάλογα τα μέτρα ασφάλειας για προσωπική προστασία (λαμβάνοντας υπόψη όλα τα μέρη του κύκλου λειτουργίας, όπως π.χ. το χρόνο κατά τον οποίο το εργαλείο τίθεται εκτός λειτουργίας και το χρόνο κατά τον οποίο λειτουργεί χωρίς φορτίο, επιπρόσθετα του χρόνου εργασίας).

ΑΠΟΡΡΙΨΗ

Το εργαλείο, τα εξαρτήματα και η συσκευασία πρέπει να διαχωρίζονται και να ανακυκλώνονται με τρόπο φιλικό προς το περιβάλλον.

ΜΟΝΟ ΓΙΑ ΧΩΡΕΣ ΤΗΣ ΕΕ ⁽⁶⁾

Σύμφωνα με την Ευρωπαϊκή Οδηγία 2012/19/EK σχετικά με τα Απόβλητα Ηλεκτρικού και Ηλεκτρονικού Εξοπλισμού και τη μεταφορά της οδηγίας αυτής στο εθνικό δίκαιο, είναι πλέον υποχρεωτικό τα άχρηστα ηλεκτρικά εργαλεία να συλλέγονται ξεχωριστά και να ανακυκλώνονται με τρόπο φιλικό προς το περιβάλλον.

TR

KULLANILAN SEMBOLLER

- 1 BU TALİMATLARI GÜVENLİ BİR ŞEKİLDE SAKLAYIN
- 2 İŞİTME KORUMASI KULLANIN
- 3 GÖZ KORUMASI KULLANIN
- 4 SINIF II KONSTRÜKSİYON
- 5 ELEKTRİKLİ EL ALETİNİ EVSEL ÇÖPLERİN İÇİNE ATMAYIN

GENEL ELEKTRİKLİ ALET GÜVENLİK UYARILARI



UYARI

ELEKTRİKLİ EL ALET İLE BİRLİKTE TESLİM EDİLEN BÜTÜN UYARILARA,

TALİMATLARA, ŞEKİLLERE VE VERİLERE UYGUN HAREKET EDİN.

Aşağıdaki talimatlara uymadığınız takdirde elektrik çarpması, yangın veya ağır yaralanma tehlikesi ile karşılaşabilirsiniz. **Gelecekte başvurmak üzere tüm uyarıları ve talimatları saklayın.** Uyarılardaki "Elektrikli alet" terimi ana elektrik şebekenize bağlı (kablolu) elektrikli aletleri ve pille çalışan (kablosuz) elektrikli aletleri kapsamaktadır.

ÇALIŞMA YERİ GÜVENLİĞİ

- a. Çalıştığınız yeri temiz ve düzenli tutun. Karmaşık veya karanlık alanlar kazalara davetiye çıkarır.
- b. Yanıcı sıvılar, gazlar veya tozların bulunduğu patlama tehlikesi olan yerlerde elektrikli aletleri çalıştırmayın. Elektrikli el aletleri, toz veya buharların tutuşmasına neden olabilecek kıvılcımlar çıkarır.
- c. Elektrikli el aleti ile çalışırken çocukları ve başkalarını uzak tutun. Dikkatiniz dağılacak olursa aletin kontrolünü kaybedebilirsiniz.

ELEKTRİK GÜVENLİĞİ

- a. Aletin fişi prize uymalıdır. Fişi hiçbir zaman değiştirmeyin. Korumayıcı (topraklanmış) aletlerle birlikte adaptör fiş kullanmayın. Değiştirilmemiş fişler ve uygun prizler elektrik çarpması tehlikesini azaltır.
- b. Borular, kalorifer petekleri, ısıtıcılar ve buz dolapları gibi topraklanmış yüzeylerle bedensel temasa girmekten kaçının. Bedeniniz topraklanmış ise büyük bir elektrik çarpması tehlikesi ortaya çıkar.
- c. Aleti yağmur altında veya nemli yerlerde bırakmayın. Elektrikli el aletin içine su sızması elektrik çarpması tehlikesini artırır.
- d. Kabloya sert muamele yapmayın. Aleti kablosundan tutarak taşımayın, kabloyu kullanarak asmayın veya fişi kablodan çekerek çıkarmayın. Kabloyu ısıdan, yağdan, keskin kenarlı cisimlerden veya aletin hareketli parçalarından uzak tutun. Hasarlı veya dolaşmış kablo elektrik çarpması tehlikesini artırır.
- e. Bir elektrikli el aleti ile açık havada çalışırken, mutlaka açık havada kullanılmaya uygun uzatma kablosu kullanın. Açık havada kullanılmaya uygun uzatma kablosunun kullanılması elektrik çarpması tehlikesini azaltır.
- f. Elektrikli bir aleti nemli bir ortamda kullanmanız gerekiyorsa, artık akım cihazıyla (RCD) korunan bir kaynak kullanın. RCD kullanımı elektrik çarpması riskini azaltır.

KİŞİSEL GÜVENLİK

- a. Dikkatli olun, ne yaptığınıza dikkat edin ve bir elektrikli el aleti kullanırken sağduyulu olun. Yorgunsanız, aldığınız hapların, ilaçların veya alkolün etkisinde iseniz aleti kullanmayın. Aleti kullanırken bir anlık dikkatsizlik önemli yaralanmalara neden olabilir.
- b. Kişisel koruma donanımı kullanın. Her zaman göz koruyucu takın. Elektrikli el aletin türü ve kullanımına uygun olarak; toz maskesi, kaymayan iş ayakkabıları, koruyucu kask veya koruyucu kulaklık gibi koruyucu donanım kullanımı yaralanma tehlikesini azaltır.
- c. İstemsiz çalışmasını önleyin. Güç kaynağına ve/veya pile bağlamadan, aleti almadan veya taşımadan önce düğmesinin kapalı konumda bulunduğundan emin olun. Aleti taşıırken parmağınız şalter üzerinde durursa ve alet açılacak fişi prize sokarsanız kazalara neden olabilirsiniz.
- d. Aleti çalıştırmadan önce ayar aletlerini veya anahtarları aletten çıkarın. Aletin dönen parçaları içinde bulunabilecek bir yardımcı alet yaralanmalara neden olabilir.

- e. Çok fazla yaklaşmayın. Çalışırken duruşunuz güvenli olsun ve dengeni her zaman koruyun. Böylece beklenmeyen durumlarda elektrikli aleti daha iyi kontrol edebilirsiniz.
- f. Uygun iş elbiseleri giyin. Geniş giysiler giymeyin ve takı takmayın. Saçlarınızı, giysilerinizi ve eldivenlerinizi aletin hareketli parçalarından uzak tutun. Bol giysiler, uzun saçlar veya takılar aletin hareketli parçalarına takılabilir.
- g. Toz emme ve toplama donanımları cihaz ile birlikte verildiyse, bunların düzgün biçimde bağlandığından ve kullanıldığından emin olun. Toz toplayıcı kullanımı toza bağlı tehlikeleri azaltır.
- h. Aletleri sık kullanmanız sebebiyle kazandığınız alışkanlıklar, güvenli prensiplerine uymanızı önlememelidir. Dikkatsiz bir hareket, bir anda ciddi yaralanmalara yol açabilir.

ELEKTRİKLİ ALETLERİN KULLANIMI VE BAKIMI

- a. Aleti aşırı ölçüde zorlamayın. Yaptığınız işlere uygun elektrikli el aletleri kullanın. Doğru elektrikli el aleti ile, belirlenen çalışma derecesinde daha iyi ve güvenli çalışırsınız.
- b. Şalteri açılmayan veya kapanmayan elektrikli el aletini kullanmayın. Şalterden kontrol edilemeyen bir elektrikli el aleti tehlikelidir ve onarılmalıdır.
- c. Herhangi bir ayarlama yapmadan, aksesuarları değiştirmeden veya elektrikli aletleri kullanmayacağınız zamanlarda mümkünse fişi elektrik kaynağından çekin ve/veya pili çıkarın. Bu önleyici güvenli önlemleri, aletin yanlışlıkla çalışmasını önler.
- d. Kullanım dışı duran elektrikli el aletlerini çocukların ulaşamayacağı bir yerde saklayın ve elektrikli el aletinin kullanımını bilmeyen veya bu talimatlardan haberdar olmayan kişilerin elektrikli el aletini çalıştırmasına izin vermeyin. Elektrikli el aletlerinin, aletin kullanımını bilmeyen kişiler tarafından kullanılması tehlikelidir.
- e. Elektrikli el aletleri ve aksesuarları koruyun. Aletlerin kusursuz olarak işlev görmesini engelleyebilecek bir durum olup olmadığını, hareketli parçaların kusursuz olarak işlev görüp görmediklerini ve sıkışıp sıkışmadıklarını, parçaların hasarlı olup olmadığını kontrol edin. Alet hasarlıysa, kullanmaya başlamadan önce aleti tamir ettirin. Birçok iş kazası aletin kötü bakımından kaynaklanır.
- f. Kesici uçları daima keskin ve temiz tutun. Özenle bakımı yapılmış keskin kenarlı kesme uçlarının malzeme içinde sıkışma tehlikesi daha azdır ve daha rahat kullanım olanağı sağlarlar.
- g. Elektrikli el aletini, aksesuarı, uçları ve benzerlerini, bu özel tip alet için öngörülen talimata göre kullanın. Bu sırada çalışma koşullarını ve yaptığınız işi dikkate alın. Elektrikli el aletlerinin amaçlanan kullanımı dışında kullanılması tehlikeli durumlara yol açabilir.
- h. Tutamak ve kavrama yüzeylerini kuru, yağsız ve temiz tutun. Kaygan tutamak ve kavrama yüzeyleri, aletin beklenmeyen durumlarda güvenli şekilde tutulmasını ve kontrol edilmesini engeller.

SERVİS

- a. Elektrikli aletinizin bakımı nitelikli bir personel tarafından yalnızca benzer parçalar kullanılarak yapılmalıdır. Bu durum elektrikli aletin güvenliğini korur.

MAKİNEYE ÖZGÜ GÜVENLİK UYARILARI

TESTERELER İÇİN GÜVENLİK UYARILARI

- a. Kesme aksesuarlarının gizli kablo tesisatına veya

- kendi kablosuna değebileceği bir iş yaparken, elektrikli el aletini yalıtımlı tutma yüzeylerinden tutun. Gerilim ileten kablolarla temas elektrikli el aletinin metal parçalarını da elektrik akımına maruz bırakabilir ve elektrik çarpmasına neden olabilir.
- b. İş parçasını sabit bir platforma bağlamak ve desteklemek için kısıkaç veya başka bir uygun yöntem kullanın. İş parçasını elinizde veya vücudunuzda yakın tutmanız onun dengesini bozarak kontrol kaybına yol açabilir.
- c. Ellerinizi kesme yapılan yerden uzak tutun. İş parçasını alttan kavramayın. Testere bıçağı ile temas yaralanmalara neden olabilir.
- d. Elektrikli el aletini yalnızca açık olduğunda iş parçasına temas ettirin. Aksi halde, kesme aletinin iş parçasına sıkışarak, geri tepme tehlikesi bulunmaktadır.
- e. Kesim tamamlandığında, aleti kapatın ve testere bıçağını yalnızca, sabitlendikten sonra kesim alanı dışına çıkartın. Bu sayede, geri tepmeden sakınabilir ve aleti emniyetli bir biçimde yerine koyabilirsiniz.
- f. Yalnızca, keskin ve kusursuz testere bıçaklarını kullanın. Eğik veya körelmiş testere bıçakları kırılabilir veya geri tepmeye neden olabilir.
- g. Makineyi kapattıktan sonra, testere bıçağına yandan basınç uygulayarak durdurmaya çalışmayın. Testere bıçağı zarar görebilir, kırılabilir veya geri tepmeye neden olabilir.
- h. Görünmeyen ikmal hatlarını tespit etmek üzere uygun tarama cihazları kullanın veya mahalli ikmal şirketlerinden yardım alın. Elektrik kablolarıyla temas yanıklara ve elektrik çarpmasına neden olabilir. Bir gaz borusuna hasar vermek patlamalara ortaya çıkarabilir. Bir su borusuna girmek maddi hasara veya elektrik çarpmasına neden olabilir.
- i. İş parçasını emniyete alın. Bir germe tertibatı veya mengene ile sabitlenen iş parçası elle tutmaya oranla daha güvenli tutulur.
- j. Çalışma yerinizi daima temiz tutun. Malzeme karışımları özellikle tehlikelidir. Hafif metal tozları yanabilir veya patlayabilir.
- k. Aleti yerine koymadan önce, her zaman alet tamamen duruncaya kadar bekleyin. Alet eki sıkışabilir ve elektrikli el aletinin kontrolünü kaybetmesine yol açabilir.
- l. Herhangi bir kablolu hasar almışken aleti asla kullanmayın. Çalışırken kablo hasar gördüğünde, hasarlı kabloya dokunmayın ve prizden çekin. Hasarlı kablolar, elektrik çarpması riskini artırır.

ÇALIŞMA TEZGAHI GENEL GÜVENLİK UYARILARI

- a. Herhangi bir ayar yapmadan veya aksesuarları değiştirmeden önce fişi güç kaynağından ve/veya elektrikli el aletini pilden ayırın. Elektrikli el aletinin yanlışlıkla çalıştırılması bazı kazalara sebep olabilir.
- b. El aletini takmadan önce çalışma tezgahını doğru bir şekilde birleştirin. Çökme riskini önlemek için, doğru birleştirme önemlidir.
- c. Kullanmadan önce elektrikli el aletini çalışma tezgahına sıkıca sabitleyin. Elektrikli el aletinin çalışma tezgahı üzerinde kayması kontrolünü kaybedilmesine yol açabilir.
- d. Çalışma tezgahını sağlam, düz ve tesviyeli bir yüzeye yerleştirin. Çalışma tezgahı kayıyor veya sallanyorsa, elektrikli el aleti sıkıca tutulamaz ve emniyetli bir şekilde kontrol edilemez.

▲ KORUYUCU KULAKLIK KULLANIN (çalışırken çıkan gürültü kalıcı işitme kayıplarına neden olabilir)

▲ ASBEST İÇEREN MADDELERLE ÇALIŞMAYIN (asbest kanserojen bir madde olarak kabul edilir)

⚠ ÇALIŞMA SIRASINDA SAĞLIĞA ZARARLI, YANICI VEYA PATLAYICI TOZLARIN ÇIKMA OLASILIĞI VARSA GEREKLİ KORUYUCU ÖNLEMLERİ ALIN (bazı tozlar kanserojen sayılır); koruyucu toz maskesi takın ve eğer aletinize takılabiliyorsa bir toz/talaş emme tertibatı bağlayın

ÖZELLİKLER

Model numarası MS20
Giriş 70 W
Voltaj 220-240V~50/60Hz
Yüksüz hız 1,500-2,250/dk.
Maks. kesme derinliği . . . 18 mm
Boğaz derinliği 250 mm
Strok uzunluğu 8 mm
Ağırlık 1,1 kg

5 Amp kapasiteli ve tamamen açılmış, güvenli uzatma kabloları kullanın.
Daima besleme geriliminin aletin marka plakasında belirtilen gerilim ile aynı olduğunu kontrol edin.

GENEL ⑥

Moto-Saw kompakt ve kullanımı çok kolay bir 2'si 1 arada dekapaj testeresidir. El aleti bazasına yerleştirildiğinde sabit modda veya elde kullanım modunda kullanılabilir. Bu el aleti, Dremel'in önermiş olduğu ilgili aksesuarlar kullanılarak yumuşak ahşap, sert ahşap, kompozit levhalar, laminat, PVC veya yumuşak sac dahil farklı malzemelerde hassas düz ve kıvrımlı kesimler gerçekleştirmeye yöneliktir.

- Sabitleme ayağı serbest bırakma düğmesi
- Sabitleme ayağı
- Parmaklık kilidi sürgüsü
- Kılavuz rayı
- Temel birim
- Toz ağız
- Açma/kapama kaydırmalı düğmesi
- Hızlı seçim düğmesi
- Emniyet kelepçeleri
- Kalıcı sabitleme deliği
- Hızlı ayırma düğmesi
- Aksesuar hızlı değişim kolu

KULLANIM

⚠ HERHANGİ BİR MONTAJ, AYARLAMA VEYA AKSESUAR DEĞİŞTİRME İŞLEMİNDEN ÖNCE FİŞİ ELEKTRİK PRİZİNDEN ÇIKARIN. Bu önleyici güvenlik tedbirleri aletin yanlışlıkla çalışma riskini azaltır.

TOZ GİDERME

Alette tozun giderilmesi için bir toz ağız bulunmaktadır. Bu özelliği kullanmak için, toz çıkış portuna bir süpürge hortumu bağlayın.

SABİT MOD

Aleti sabit modda kullanmak, size her iki elinizle iş parçasını tutarak farklı malzemeleri kesme özgürlüğü sunar. Bu modda, farklı hobi veya ahşap projelerini hassas ve kolay bir biçimde tamamlayabilirsiniz.

- Bazanın, beraberinde sağlanan kelepçelerle düz bir çalışma zeminine bağlandığından emin olun ⑦. Baza; üst kısmında bulunan 2 adet delikten vidalanarak, bir tezgah üzerine kalıcı olarak sabitlenebilir.

Bazanın üzerine oturmamanı veya yaslanmamanı. Baza; kesilecek malzemeleri desteklemeye yöneliktir.

- Baza sabitlendiğinde, aleti üzerine yerleştirin: ilk önce, kablосunu bazanın deliğinden geçirin ve tık sesi duyuncaya dek aleti konumlandırarak bazanın üzerine yerleştirin ⑧. El aleti ve sabit baza yüzeyleri örtüştüğünde, alet emniyetli bir biçimde oturtulmuş olur. **Baza üzerinde sadece Dremel Moto-Saw'ı kullanın. Diğer elektrikli aletler, baza ile kullanıma uygun değildir.**
- Testere, görsele uygun biçimde takıldığında ⑨, alet kullanıma hazırdır.
- Aleti iş parçasına temas ettirmeden önce çalıştırarak, aletin tam hıza ulaşmasını bekleyin. **Alet yük altındayken aleti "açık" ve "kapalı" konuma getirmeyin.**

Sallanmasını önlemek için, sabitleme ayağını iş parçasının üstüne getirerek basılı tutun.

Titreşimi azaltmak için, iş parçasını testere bıçağının yakınından elinizle tutun.

İş parçasını testereye doğru çok zorlayarak itirmeyin. Bu bıçaklar, nazik bir biçimde kullanılmalıdır. Bu nedenle, bıçağın malzemeleri kesmesi için beklenmesi önemlidir. İş parçasına uygulanan aşırı basınç, bıçağın erken körelmesine neden olur.

Projeniz üzerinde çalışmaya başlamadan önce, atık malzemelerle alıştırma amaçlı birkaç kesim gerçekleştirin.

ELDE KULLANIM MODU

İş parçası çok büyük veya sabit olduğunda ve baza üzerine yerleştirilemeyeceğinde, aleti elde kullanım modunda kullanmanız tavsiye edilir. Genel amaçlı elde kullanım, oyma işlerini ve malzemeleri küçük parçalara kesmeyi içerir. Elde kullanım modunda alet, motorlu oyma testeresi/ kil testere görevi görür.

- Aleti bazadan ayırırken hızlı ayırma düğmesine basmaya devam edin ⑩.
- Aleti ayırdıktan sonra elinizde tutabilirsiniz ⑪. **Elde kullanım modunda kesim yaparken, aleti sıkıca kavradığınızdan emin olun.**
- Titreşimi azaltmak için aletin yüzeyini iş parçasının tabanıyla hizalamayı deneyin ⑫.

KENAR KILAVUZU ⑬

Kenar kılavuzu her bir kılavuz rayında kullanılabilir. Bu ek, itme çubuğu veya kenar kılavuzu/parmaklığı olarak kullanılabilir. İtme çubuğu olarak kullanıldığında, parmaklık kilidi sürgüsü ile raylara kilitlemesi gerekmez. Kılavuz farklı açılardan kullanılabilir. Açısını ayarlamak için, kılavuz üzerindeki kelebek vidayı gevşetin ve başlığı istenilen konuma döndürün. Kenar kılavuzu, parmaklık kilidi sürgüsü çevrilerek yerine kilitlenebilir. Bunu hareket ettirmek, kılavuzun ray üzerinde hareketini engelleyecektir.

BAKIM VE TEMİZLEME

⚠ CİHAZIN İÇERİŞİNDE KULLANILAN BAKIM UYGULAYABİLECEĞİ PARÇALAR BULUNMAMAKTADIR. ÖNLEYİCİ BAKIMIN YETKİSİZ KİŞİLER TARAFINDAN YAPILMASI, DAHİLİ KABLO VE BİLEŞENLERİN YANLIŞ YERLEŞTİRİLMESİNE YOL AÇILIR, BU DA CİDDİ TEHLİKE YARATIR.

Alet, sıkıştırılmış kuru hava ile temizlenebilir. **Aleti basınçlı hava ile temizlerken daima koruyucu gözlük takın.**

A KAZALARIN MEYDANA GELMESİNİ ÖNLEMEK İÇİN DAİMA TEMİZLEMEDEN ÖNCE ALETİ VE/VEYA ŞARJ MAKİNESİNİ GÜÇ KAYNAĞINDAN AYIRIN

Havalandırma açıklıkları ve düğme kolları temiz ve yabancı maddelerden arınmış bir şekilde tutulmalıdır. Açıklıklardan sivri cisimler sokarak temizlemeye çalışmayın.

A **BAZI TEMİZLİK MADDELERİ VE SOLVENTLER PLASTİK KISIMLARA ZARAR VERİR.** Bunlardan bazıları: benzin, karbon tetraklorid, klorlu temizlik solventleri, amonyak ve amonyak içeren ev deterjanları.

SERVİS VE GARANTİ

Tüm alet bakımlarının, bir Dremel Servis Merkezi tarafından yapılmasını tavsiye ederiz. Bu Dremel ürünü, yerel/ulusal yasal düzenlemelere uygun biçimde, normal aşınma ve eskimeden kaynaklanan hasarlara karşı garanti kapsamındadır; aşırı yüklenmeden veya uygun olmayan kullanımdan kaynaklanan hasarlar garanti kapsamına alınmaz. Bir sorun halinde, içi açılmamış durumdaki aleti ve/veya şarj aleti ile alışveriş fişinizi bayinize gönderin.

DREMEL'E ULAŞIN

Servis ve garanti, Dremel ürün serisi, destek ve yardım hattı hakkında daha fazla bilgi için www.dremel.com adresini ziyaret edin.

GÜRÜLTÜ VE TITREŞİM

Ses basıncı seviyesi (standart sapma 3dB) dB(A)	76,0
Ses güç seviyesi (standart sapma 3dB) dB(A)	87,0
Titreşim (yumuşak çelik kesme) m/s ²	7,7
Titreşim (sunta kesme) m/s ²	8,4
Titreşim belirsizliği K m/s ²	1,5

NOT: Beyan edilen toplam titreşim değeri/değerleri ve beyan edilen ses emisyon değeri/değerleri standart bir test yöntemine uygun şekilde ölçülmektedir ve bir el aletini diğeriyle karşılaştırmak için kullanılabilir. Bu değer aynı zamanda maruziyetin ön değerlendirmesinde de kullanılabilirler.

Gerçek kullanım sırasında elektrikli el aletinin titreşim ve ses emisyonları, aleti kullandığınız biçimlere bağlı olarak beyan edilen toplam değerden farklı olabilir. Gerçek kullanım koşullarında maruz kalma için bir tahminde bulunun ve korunma için buna göre emniyet önlemlerini alın (tetiklenme sürelerine ek olarak, aletin kapalı kaldığı ve atılı olarak çalıştığı süreler gibi çalışma çevriminin tüm kısımlarını hesaba katın).

İMHA ETME

Aracın, aksesuarların ve ambalajın çevre dostu geri dönüşürme için ayrılması gerekir.

SADECE AVRUPA KOMİSYONU ÜYESİ ÜLKELER İÇİN ⑥

Elektrikli el aletleri ve eski elektronik aletlere ilişkin 2012/19/AT sayılı Avrupa Birliği yönetmeliği ve bunların tek ülkelerin hukuklarına uyarlanması uyarınca, kullanım ömrünü tamamlamış elektrikli el aletleri ayrı toplanmak ve çevre dostu bir yöntemle tasfiye edilme üzere yeniden kazanım merkezlerine gönderilmek zorundadır.

CS

POUŽITÉ SYMBOLY

- ① PŘEČTĚTE SI TYTO POKYNY
- ② POUŽÍVEJTE OCHRANU SLUCHU
- ③ POUŽÍVEJTE OCHRANU OČÍ
- ④ TŘÍDA II, SESTAVENO
- ⑤ ELEKTRICKÉ NĀRADÍ NEVYHAZUJTE DO KOMUNÁLNÍHO ODPADU!

OBEČNÁ BEZPEČNOSTNÍ UPOZORNĚNÍ K ELEKTRICKÉMU NĀSTROJI

A **VAROVÁNÍ** DBEJTE VŠECH VAROVNÝCH UPOZORNĚNÍ, POKYŇŮ, ZOBRAZENÍ A ÚDAJŮ, JEŽ JSTE S ELEKTRICKÝM NĀSTROJEM OBDŘĚLI.

Pokud následující pokyny nedodržíte, může to vést k úderu elektrickým proudem, požáru nebo těžkým poraněním. Všechna upozornění a pokyny si uložte tak, abyste do nich mohli v budoucnu nahlížet. Termín „elektrický nástroj“, který se vyskytuje v upozorněních, se vztahuje k vašemu elektrickému nástroji napájenému ze sítě (kabelem) nebo k elektrickému nástroji napájenému baterií (bez kabelu).

BEZPEČNOST V PRACOVNÍ OBLASTI

- a. Udržujte své pracovní místo čisté a dobře osvětlené. Nepořádek a neosvětlené pracovní oblasti mohou vést k úrazům.
- b. S nástrojem nepracujte v prostředí s rizikem výbuchu, například tam kde se nacházejí hořlavé kapaliny, plyny nebo prach. Elektrické nástroje vytvářejí jiskry, které mohou zapálit prach nebo páry.
- c. Děti a přihlížející osoby musí být při použití elektrických nástrojů v bezpečné vzdálenosti od pracovního místa. Při rozptýlení můžete ztratit kontrolu nad strojem.

BEZPEČNOST PŘI PRÁCI S ELEKTRINOU

- a. Připojovací zástrčka nástroje musí lícovat se zásuvkou. Zástrčka nesmí být žádným způsobem upravena. Společně se nástroji s ochranným uzemněním nepoužívejte žádné adaptérové zástrčky. Neupravené zástrčky a vhodné zásuvky snižují riziko elektrického úderu.
- b. Zabraňte kontaktu těla s uzemněnými povrchy, jako např. potrubí, topení, sporáky a chladničky. Je-li Vaše tělo uzemněno, existuje zvýšené riziko elektrického úderu.
- c. Chraňte nástroj před deštěm a vlhkem. Vniknutí vody do elektrického nástroje zvyšuje nebezpečí zásahu elektrickým proudem.
- d. Dbejte na správné používání kabelu. Nepoužívejte jej jako pomůcku k nošení či zavěšování nástroje nebo k vytahování zástrčky ze zásuvky. Udržujte kabel daleko od tepla, oleje, ostrých hran nebo pohyblivých dílů stroje. Poškozené nebo spletené kabely zvyšují riziko elektrického úderu.
- e. Při venkovním použití elektrického nástroje použijte prodlužovací kabel vhodný pro venkovní použití. Použití prodlužovacího kabelu, jež je vhodný pro použití venku, snižuje riziko elektrického úderu. Je-li nevyhnutelné používat nástroj ve vlhku, použijte napájení chráněné proudovým chráničem

(RCD). Používání RCD snižuje riziko úrazu elektrickým proudem.

BEZPEČNOST OSOB

- a. Buďte pozorní, dávejte pozor na to, co děláte a přistupujte k práci s elektrickým nástrojem rozumně. Nástroj nepoužívejte pokud jste unaveni nebo pod vlivem drog, alkoholu nebo léků. Moment nepozornosti při použití elektrických nástrojů může vést k vážným poraněním.
- b. Noste osobní ochranné pomůcky. Vždy používejte ochranné brýle. Nošení osobních ochranných pomůcek jako maska proti prachu, bezpečnostní obuv s protiskluzovou podrážkou, ochranná přilba nebo sluchátka, podle druhu nasazení elektrického nástroje, snižují riziko poranění.
- c. Zabraňte neúmyslnému uvedení do provozu. Přesvědčte se ještě než zastrčíte zástrčku do zásuvky, že je elektrický nástroj vypnutý. Máte-li při nošení nástroje prst na spínači nebo pokud nástroj připojíte ke zdroji proudu zapnutý, může to vést k úrazům.
- d. Než nástroj zapnete, odstraňte seřizovací nástroj nebo šroubovák. Nástroj nebo klíč, který se nachází v otáčivém dílu nástroje, může vést k poranění.
- e. Nepřeceňujte se. Zajistěte si bezpečný postoj a vždy udržujte rovnováhu. Tím můžete nástroj v neočekávaných situacích lépe kontrolovat.
- f. Noste vhodný oděv. Nenoste žádné volný oděv nebo šperky. Vlasy, oděv a rukavice udržujte daleko od pohybujících se dílů. Volný oděv, šperky nebo dlouhé vlasy mohou být zachyceny pohybujícími se díly.
- g. Lze-li namontovat odsávací zařízení, přesvědčte se, že jsou připojeny a správně použity. Použití zařízení odsávajících prach snižuje ohrožení prachem.
- h. Dbejte na to, abyste při častém používání nářadí nebyli méně ostražití a nezapomínali na bezpečnostní zásady. Nedbalé ovládání může způsobit těžké poranění za zlomek sekundy.

SVĚDOMITÉ ZACHÁZENÍ A POUŽÍVÁNÍ ELEKTRICKÝCH NÁSTROJŮ

- a. Nástroj nepřetěžujte. Pro svou práci použijte k tomu určený nástroj. S vhodným elektrickým nástrojem budete pracovat v udané oblasti výkonu lépe a bezpečněji.
- b. Nepoužívejte žádné elektrické nástroje, jehož spínač je vadný. Elektrický nástroj, který nelze zapnout či vypnout, je nebezpečný a musí se opravit.
- c. Než provedete seřízení nástroje, výměnu dílů příslušenství nebo nástroj odložíte, vytáhněte zástrčku ze zásuvky a/nebo odstraňte baterii (pokud je vyjímatelná). Toto preventivní opatření zabrání neúmyslnému zapnutí nástroje.
- d. Uchovávejte nepoužívané elektrické nástroje mimo dosah dětí. Nenechte nástroj používat osobami, které s nástrojem nejsou seznámeny nebo nečetly tyto pokyny. Elektrické nástroje jsou nebezpečné, jsou-li používány nezkušenými osobami.
- e. Udržujte elektrické nářadí a příslušenství v řádném stavu. Zkontrolujte, zda pohyblivé díly nástroje fungují a nevzpříčují se, zda díly nejsou zlomené nebo poškozené tak, že je omezena funkce nástroje. Poškozené díly nechte před nasazením nástroje opravit. Mnoho úrazů má příčinu ve špatné údržbových elektrických nástrojích.
- f. Řezné nástroje udržujte ostré a čisté. Pečlivě ošetřované řezné nástroje s ostrými řeznými hranami se méně vzpříčují a dají se lehčeji vést.
- g. Používejte elektrické nástroje, příslušenství, nástavce apod. podle těchto pokynů a také přitom

respektujte pracovní podmínky a prováděnou činnost. Použití elektrických nástrojů na jiné práce než pro které jsou určeny, může vést k nebezpečným situacím.

- h. Udržujte rukojeti a úchytné plochy suché, čisté a bez oleje amaziava. Kluzké rukojeti a úchytné plochy neumožňují bezpečnou manipulaci a ovládání nářadí v neočekávaných situacích.

SERVIS

- a. Opravu elektrického nástroje svěřujte pouze kvalifikovaným odborným opravářům, kteří používají výhradně originální náhradní díly. Tím bude zajištěno, že bezpečnost nástroje zůstane zachována.


BEZPEČNOSTNÍ UPOZORNĚNÍ SPECIFICKÁ PRO STROJ


BEZPEČNOSTNÍ VAROVÁNÍ K LUPÍNKOVÉ PILE


- a. Při činnostech, při kterých by mohlo řezací příslušenství zasáhnout skryté vedení nebo vlastní síťový kabel, berte elektrické nářadí pouze za izolovanou rukojeť. Kontakt řezacího příslušenství s elektrickým vedením pod napětím může přivést napětí i na kovové díly elektrického nástroje a vést k zášahu elektrickým proudem.
- b. K upevnění a zajištění obrobku na stabilní základně použijte svorky nebo jiný účinný způsob připevnění a zajištění. Držení obrobku rukou nebo proti tělu vede k nestabilitě a může zapříčinit ztrátu kontroly.
- c. Udržujte ruce ve vzdálenosti od oblasti řezání. Nesahejte pod obrobek. Při kontaktu s pilovým listem existuje nebezpečí poranění.
- d. Elektronářadí vedte proti obrobku pouze v zapnutém stavu. V opačném případě hrozí nebezpečí zpětného rázu, pokud se nasazený nástroj v obrobku vzpříčí.
- e. Po dokončení řezání vypněte nářadí a pilový list vytáhněte z řezu až poté, co se stroj zcela zastaví. Tímto způsobem zabráníte zpětnému rázu a budete moci bezpečně nářadí uložit.
- f. Používejte pouze ostré, bezvadné pilové nástroje. Zprohybané nebo neostré pilové listy mohou poškodit nářadí nebo způsobit zpětný ráz.
- g. Po vypnutí nebrzděte pilový list bočním protitlakem. Pilový list se může poškodit, zlomit nebo způsobit zpětný ráz.
- h. Použijte vhodné detekční přístroje na vyhledání skrytých rozvodných vedení nebo kontaktujte místní dodavatelskou společnost. Kontakt s elektrickým vedením může vést k požáru a úderu elektrickým proudem. Poškození vedení plynu může vést k výbuchu. Proniknutí do vodovodního potrubí způsobí věcné škody nebo může způsobit úder elektrickým proudem.
- i. Zajistěte obrobek. Obrobek pevně uchycený svorkou nebo svérákem je držen bezpečněji než Vaší rukou.
- j. Udržujte své pracovní místo čisté. Směsi materiálů jsou obzvlášť škodlivé. Prach lehkých kovů může hořet nebo explodovat.
- k. Než jej odložíte, počkejte, až se nářadí zastaví. Nasazovací nástroj se může vzpříčit a vést ke ztrátě kontroly nad elektrickým nářadím.
- l. Nikdy nepoužívejte nástroj s poškozeným kabelem. Pokud se kabel během práce poškodí, pak se jej nedotýkejte a vytáhněte síťovou zástrčku. Poškozené kabely zvyšují riziko elektrického úderu.

OBECNÁ BEZPEČNOSTNÍ VAROVÁNÍ TÝKAJÍCÍ SE PRACOVNÍHO STOJANU

- Před seřízením nebo výměnou příslušenství vytáhněte zástrčku z elektrické zásuvky anebo blok baterií z elektrického nářadí. *Náhodné spuštění elektrického nářadí může způsobit nehodu.*
- Před montáží nářadí správně sestavte pracovní stojan. *Správné sestavení je důležité, aby se odstranilo nebezpečí zborcení.*
- Před použitím bezpečně připevněte nářadí k pracovnímu stojanu. *Elektrické nářadí, které se posunuje na pracovním stojanu, může být příčinou ztráty kontroly.*
- Pracovní stojan umístěte na pevný, rovný a vodorovný povrch. *Pokud se pracovní stojan otáčí, posouvá nebo kýve, není možné rovnoměrně a bezpečně ovládat elektrické nářadí nebo opracovávanou součást.*

 **NOSTE OCHRANU SLUCHU** (působení hluku může způsobit ztrátu sluchu)

 **NEOPRACOVÁVEJTE ŽÁDNÝ MATERIÁL OBSAHUJÍCÍ AZBEST** (azbest je karcinogen)

 **UČIŇTE OCHRANNÁ OPATŘENÍ, POKUD PŘI PRÁCI MŮŽE VZNIKOUT ZDRAVÍ ŠKODLIVÝ, HOŘLAVÝ NEBO VÝBUŠNÝ PRACH** (některý prach je karcinogen); noste ochrannou masku proti prachu a použijte, lze-li jej připojit, odsávání prachu či třisek

SPECIFIKACE

Modelové číslo. MS20
Vstup. 70 W
Napětí. 220 - 240 V, 50/60 Hz
Otáčky bez zatížení. 1500-2250/min
Maximální hloubka řezu. 18 mm
Hloubka otvoru. 250 mm
Délka zdvihu. 8 mm
Hmotnost. 1,1 kg

Bezpečně prodlužovací síťové kabely o zatížitelnosti 5 A použijte úplně rozvinuté.

Vždy zkontrolujte, zda je napájecí napětí stejné jako napětí vyznačené na firemním štítku nářadí.

VŠEOBECNĚ ⑥

Elektrická pila je kompaktní, lupínková pila 2 v 1 se také velmi snadno používá. Může se používat jak stacionárně, pokud je nářadí upevněno ve vlastní základně, nebo v ruce. Toto nářadí je určeno k provádění přesných rovinných i obloukových řezů v různých materiálech včetně měkkého a tvrdého dřeva, skládaných desek, laminátu, PVC nebo měkkého plechu pomocí vhodného příslušenství doporučeného společností Dremel.

- Přidržené uvolňovací tlačítko
- Přidržená patka
- Stavěcí páka
- Vodítko
- Základna
- Prachový port
- Spínač zap/vyp
- Volič rychlosti
- Zajišťovací sponka
- Stálý upevňovací otvor
- Tlačítko rychlého uvolnění
- Rychloupínací páka příslušenství

POUŽITÍ

 **PŘED JAKÝMKOLI PROVÁDĚNÍM MONTÁŽE, SEŘÍZOVÁNÍ NEBO PŘED VÝMĚNOU PŘÍSLUŠENSTVÍ ODPJOJTE ZÁSTRČKU ZE ZÁSUVKY.**
Toto preventivní opatření zabrání neúmyslnému zapnutí nástroje.

ODSÁVÁNÍ PRACHU

Váš nástroj je vybaven prachovým portem, který slouží k odsávání prachu. Aby bylo možné využívat tuto funkci, připevněte trubici vysavače k prachovému portu.

STACIONÁRNÍ REŽIM

Použití nástroje stacionárně umožňuje více svobody v řezání různých materiálů, kdy opracovávaný kus držíte oběma rukama. Tímto způsobem můžete přesně a snadno dokončit různé dřevařské práce.

- Zkontrolujte, zda je základna bezpečně připevněna k rovnému pracovnímu povrchu pomocí dodaných sponek ⑦. Základnu je možné trvale připevnit k pracovnímu stolu pomocí běžných šroubů do 2 otvorů umístěných nahoře na základně.
Nesedějte si ani se neopírejte o základnu. Základna je určena k podpoře materiálů určených k řezání.
- Po zajištění základny na ni připevněte nástroj: nejprve připevněte kabel skrz otvor základny ⑧. Nástroj je bezpečně usazen poté, co je ruční nástroj a stacionární základna v jedné rovině.
Na základně používejte pouze elektrickou pilu značky Dremel. Jiné elektrické nářadí není určeno pro použití s touto základnou.
- Jakmile je pilový list vložen tak, jak je znázorněno na obr. ⑨, je nástroj připraven k provozu.
- Zapněte nářadí a nechte jej před přistoupením k obrobku rozběhnout do správných otáček.
Během zatížení nářadí nepřepínejte spínač do polohy „zapnuto“ nebo „vypnuto“.

Zatlačením přidržené patky na obrobek předejdete vyskočení obrobku.

Držením obrobku oběma rukama blízko pilového listu minimalizujete vibrace.
Netlačte obrobkem příliš silně proti pilovému listům. Tyto listy jsou určeny k jemnému použití. Proto je velice důležité, aby měly listy dostatek času na řezání materiálu. Nadměrným tlakem na obrobek způsobíte předčasně zlomení lisu.

Před začátkem prací proveďte několik cvičným řezů do odpadového materiálu.

RUČNÍ REŽIM

Použití nástroje v ručním režimu se doporučuje v případech, kdy je opracovávaný kus příliš velký nebo je připevněný, a proto jej není možné položit na základnu. Typické ruční činnosti zahrnují lámací práce nebo řezání menších kusů materiálů. V ručním režimu odpovídají funkce nástroje motorizovanému lámání/lupínkové pile.

- Při odpojování nástroje od základny ⑩ držte stisknuté tlačítko rychlého uvolnění.
- Po vyjmutí nástroje můžete nástroj držet v ruce ⑪.
Při řezání v ručním režimu kontrolujte, zda nářadí držíte pevně.
- Snažte se vyrovnat povrch nástroje s dolní částí obrobku, abyste snížili vibrace ⑫.

HRANOVÉ VODÍTKO ⑬

Hranové vodítko lze používat v kterékoli vodící liště. Tento nástavec lze použít jako posuvnou tyč nebo

jako hranové vodítko/hrazení. Pokud jej používáte jako posuvnou tyč, není třeba jej usazovat do příček pomocí stavěcí páky.
Vodítko lze používat pod různými úhly. Úhel nastavíte povolením křídlového šroubu na vodítko a otočením hlavy do požadované pozice.
Hranové vodítko lze zablokovat na místě otočením stavěcí páky. Pokud tak učiníte, zabráníte skluzu vodítka do příčky.

ÚDRŽBA A ČIŠTĚNÍ

▲ UVNITŘ SE NENACHÁZEJÍ ŽÁDNÉ ČÁSTI URČENÉ K OBSLUZE UŽIVATELEM. ÚDRŽBA PROVEDENÁ NEPOVOLANÝM PERSONÁLEM MŮŽE MÍT ZANÁSLEDEK ŠPATNÉ UMÍSTĚNÍ DRÁTŮ A DÍLŮ, COŽ MŮŽE PŘEDSTAVOVAT VÁŽNÉ NEBEZPEČÍ.

Nástroj lze neefektivněji vyčistit stlačeným suchým vzduchem. **Vždy si nasadte ochranné brýle při čištění nástroje stlačeným vzduchem.**

▲ ABYSTE ZABRÁNILI NEHODÁM, PŘED ČIŠTĚNÍM VŽDY ODPOJTE NÁSTROJ NEBO NABÍJEČKU OD ZDROJE NAPÁJENÍ.

Ventilační otvory a páčky vypínačů musí být udržovány čisté a bez přítomnosti cizí hmoty. Nepokoušejte se čistit nástroj vkládáním zahrocených předmětů otvorem.

▲ URČITÉ ČISTIČÍ PROSTŘEDKY A ROZPOUŠTĚDLA POŠKOZUJÍ DÍLY Z UMĚLÉ HMOTY. Patří mezi ně: benzín, tetrachlormetan, chlorovaná čističí rozpouštědla, amoniak a domácí prostředky obsahující amoniak.

SERVIS A ZÁRUKA

Doporučujeme provádět veškerý servis nástroje v servisním centru Dremel.

Na tento produkt Dremel se vztahuje záruka podle nařízení platných v příslušné zemi. Na poškození v důsledku běžného opotřebení, nadměrného zatížení nebo nesprávného zacházení se záruka nevztahuje.
V případě reklamace zašlete nástroj a/nebo nabíječku v nerozmontovaném stavu spolu s dokladem o koupi vašemu prodejci.

KONTAKTUJTE SPOLEČNOST DREMEL

Další informace o servisu a záruce, sortimentu, podpoře a lince hotline společnosti Dremel naleznete na webových stránkách www.dremel.com.

HLUK A VIBRACE

Hladina akustického výkonu (směrodatná odchylka 3 dB) dB(A)	76,0
Hladina akustického tlaku (směrodatná odchylka 3 dB) dB(A)	87,0
Vibrace (řezání měkké oceli) m/s ²	7,7
Vibrace (řezání dřevotřískové desky) m/s ²	8,4
Vibrace, neurčitost K m/s ²	1,5

UPOZORNĚNÍ: Deklarovaná celková hodnota (hodnoty) vibrací a deklarovaná hodnota (hodnoty) hluku byla měřena v souladu se standardní zkušební metodou a může být použita pro porovnání jednoho nástroje s druhým. Může být také použita k předběžnému stanovení vystavení.

Vibrace a hlukové emise vznikající při konkrétním použití elektrického nástroje se mohou lišit od deklarované celkové

hodnoty, a to v závislosti na způsobu použití nástroje. Proveďte odhad míry rizika v konkrétních podmínkách používání a stanovte odpovídající bezpečnostní opatření pro osobní ochranu (vezměte v úvahu veškeré části provozního cyklu, tj. kromě doby spuštění nástroje například i dobu, kdy je nástroj vypnutý, a dobu, kdy běží naprázdno).

ZPRACOVÁNÍ ODPADŮ

Nástroj, příslušenství a obaly by měly být tříděny za účelem recyklace.

POUZE PRO ZEMĚ EU ⑥

Podle evropské směrnice 2012/19/ES o starých elektrických a elektronických zařízeních a její implementace v národních zákonech musí být vyřazená elektrická nářadí shromažďována odděleně a likvidována způsobem šetrným k životnímu prostředí.

PL

UŻYWANE SYMBOLE

- ① NALEŻY PRZECZYTAĆ INSTRUKCJĘ
- ② NALEŻY UŻYWAĆ SŁUCHAWEK OCHRONNYCH
- ③ NALEŻY UŻYWAĆ OKULARÓW OCHRONNYCH
- ④ KONSTRUKCJA KLASY II
- ⑤ NIE WYRZUCAĆ ELEKTRONARZĘDZI WRAZ Z ODPADAMI Z GOSPODARSTWA DOMOWEGO

OGÓLNE ZASADY BEZPIECZEŃSTWA DOTYCZĄCE UŻYTKOWANIA ELEKTRONARZĘDZI

▲ OSTRZEŻENIE NALEŻY PRZESTRZEGAĆ WSZYSTKICH WSKAZÓWEK OSTRZEGAWCZYCH, PRZEPISÓW, OPISÓW I DANYCH, KTÓRE ZOSTAŁY PRZEKAZANE WRAZ Z ELEKTRONARZĘDZIEM.

Jeśli nie będą przestrzegane następujące przepisy, może dojść do porażenia prądem, pożaru i/lub ciężkich obrażeń ciała. Ostrzeżenia oraz instrukcje należy zachować do wykorzystania w przyszłości. Pojęcie „elektronarzędzie” używane we wszystkich ostrzeżeniach odnosi się do elektronarzędzi zasilanych prądem (z przewodem zasilającym) lub na baterię (bezprowodowe).

BEZPIECZEŃSTWO MIEJSCA PRACY

- Miejsce pracy należy utrzymywać w czystości i zapewnić jego dobre oświetlenie. Nieuporządkowane i nieoświetlone miejsce pracy może być przyczyną wypadków.
- Nie należy używać elektronarzędzi w środowiskach zagrożonych wybuchem, w których znajdują się na przykład łatwopalne ciecze, gazy lub pyły. W trakcie pracy elektronarzędziami powstają iskry, które mogą podpalić pył lub opary.
- Podczas pracy elektronarzędziem należy trzymać z daleka od dzieci i innych osób. Przy odwróceniu uwagi można stracić kontrolę nad narzędziem.

BEZPIECZEŃSTWO ELEKTRYCZNE

- Wtyczki elektronarzędzi muszą pasować do gniazda. Nie wolno zmieniać wtyczki w jakikolwiek

sposób. Nie należy używać wtyczek adapterowych razem z uziemionymi elektronarzędziami.

Niezmienione wtyczki i pasujące gniazda zmniejszają ryzyko porażenia prądem.

- b. Należy unikać kontaktu z uziemionymi powierzchniami, takimi jak rury, grzejniki, piece i lodówki. Istnieje zwiększone ryzyko porażenia prądem, gdy ciało jest uziemione.
- c. Elektronarzędzia należy trzymać zabezpieczone przed deszczem i wilgocią. *Wniknięcie wody do elektronarzędzia podwyższa ryzyko porażenia prądem.*
- d. Nie obciążać przewodu. Nigdy nie używać kabla do przenoszenia, zawieszania narzędzia, ani do wyciągania wtyczki z gniazda. Kabel należy trzymać z daleka od wysokich temperatur, oleju, ostrych krawędzi lub ruchomych części. *Uszkodzone lub poplątane kable zwiększają ryzyko porażenia prądem.*
- e. Podczas używania elektronarzędzia na zewnątrz, należy korzystać z przedłużacza przystosowanego do pracy na wolnym powietrzu. *Użycie kabla dopuszczonego do stosowania na zewnątrz zmniejsza ryzyko porażenia prądem.*
- f. Jeżeli nie można uniknąć użytkowania elektronarzędzia w wilgotnym otoczeniu, należy korzystać ze źródła zasilania chronionego wyłącznikiem różnicowo-prądowym (RCD). *Zastosowanie wyłącznika RCD zmniejsza ryzyko porażenia prądem.*

BEZPIECZEŃSTWO OSÓB

- a. Należy zachować ostrożność, kierować się rozsądkiem podczas używania elektronarzędzia. Nie należy używać urządzenia w przypadku zmęczenia, pod wpływem narkotyków, alkoholu lub lekarstw. *Moment nieuwagi podczas użytkowania elektronarzędzi może doprowadzić do poważnych obrażeń ciała.*
- b. Należy zawsze nosić osobiste wyposażenie ochronne. Należy zawsze nosić okulary ochronne. *Noszenie wyposażenia ochronnego takiego jak maska przeciwpyłowa, antypoślizgowe buty robocze, hełm ochronny lub słuchawki ochronne dostosowanego do warunków pracy zmniejsza ryzyko obrażeń ciała.*
- c. Unikać przypadkowego uruchomienia. Przed włożeniem wtyczki należy upewnić się, czy przełącznik jest wyłączony. *Przeniesienie elektronarzędzi z palcem położonym na przełączniku lub podłączanie do prądu włączonych elektronarzędzi może doprowadzić do wypadków.*
- d. Przed włączeniem elektronarzędzia należy usunąć narzędzie nastawcze i klucz. *Narzędzie lub klucz pozostawiony w ruchomej części elektronarzędzia może spowodować obrażenia ciała.*
- e. Nie sięgać przesadnie daleko. Należy dbać o bezpieczną pozycję pracy i zawsze utrzymywać równowagę. *Dzięki temu możliwa jest lepsza kontrola narzędzia w nieprzewidzianych sytuacjach.*
- f. Należy nosić odpowiednie ubranie. Nie należy nosić luźnego ubrania lub biżuterii. *Włosy, ubranie i rękawice należy trzymać z daleka od ruchomych elementów. Luźne ubranie, biżuteria lub długie włosy mogą zostać pociągnięte przez poruszające się części.*
- g. Jeżeli narzędzia dostosowano do podłączenia odciągu i poboru pyłów, to należy dopilnować, aby zostały one podłączone i były odpowiednio używane. *Użycie narzędzi do poboru pyłów może zmniejszyć zagrożenia związane z pyłami.*
- h. Nie wolno pozwolić, aby rutyna nabyta w wyniku wielokrotnego użycia elektronarzędzia, zastąpiła ściśle przestrzeganie zasad bezpieczeństwa. *Niebale obsługiwane elektronarzędzie może w ułamku sekundy wyrządzić istotne szkody lub spowodować ciężkie obrażenia.*

UŻYTKOWANIE I PRZECHOWYWANIE ELEKTRONARZĘDZIA

- a. Elektronarzędzia nie należy przeciążać. Należy używać elektronarzędzia odpowiedniego do danego projektu. *Odpowiednim narzędziem pracuje się lepiej i bezpieczniej w podanym zakresie sprawności.*
- b. Nie należy używać elektronarzędzia, którego wyłącznik/wyłącznik nie działa. *Elektronarzędzie, którego nie można włączyć lub wyłączyć jest niebezpieczne i musi zostać naprawione.*
- c. Przed regulacją narzędzia, wymianą osprzętu lub po zaprzestaniu pracy narzędziem, należy wyciągnąć wtyczkę z gniazda i/lub usunąć akumulator, jeśli to możliwe. *Takie środki zapobiegawcze zmniejszają ryzyko przypadkowego włączenia elektronarzędzia.*
- d. Nieużywane elektronarzędzia należy przechowywać poza zasięgiem dzieci i nie należy pozwalać, aby uruchamiały go osoby nie znające tego elektronarzędzia i instrukcji. *Elektronarzędzia używane przez osoby nieprzeszkolone stwarzają zagrożenie.*
- e. O elektronarzędzia i akcesoria należy dbać. Należy kontrolować, czy nie nastąpiło przedstawienie lub zacięcie ruchomych części, uszkodzenie części lub inny stan, który może wpływać na działanie wyłącznika. *W przypadku uszkodzenia elektronarzędzie należy oddać do naprawy. Wiele wypadków spowodowanych jest przez niewłaściwą konserwację elektronarzędzi.*
- f. Osprzęt tnący powinien być zawsze ostry i czysty. *Prawidłowo przechowywane akcesoria tnące z ostrymi krawędziami tnącymi rzadziej się blokują i łatwiej się je prowadzi.*
- g. Elektronarzędzie, wyposażenie dodatkowe, osprzęt itp. należy wykorzystywać zgodnie z podanymi instrukcjami oraz w sposób określony dla konkretnego rodzaju elektronarzędzia, uwzględniając warunki pracy oraz projekt jaki należy wykonać. *Użycie elektronarzędzia do innych prac niż przewidziane może być niebezpieczne.*
- h. Uchwyty i powierzchnie chwytowe powinny być zawsze suche, czyste, niezabrudzone olejem ani smarem. *Śliskie uchwyty i powierzchnie uchwytu nie pozwalają na bezpieczne trzymanie narzędzia i kontrolę nad nim w nieoczekiwanych sytuacjach.*

SERWIS

- a. Naprawę elektronarzędzia należy zlecać tylko osobom wykwalifikowanym i używać wyłącznie oryginalnych części zamiennych. *To gwarantuje, że bezpieczeństwo zostanie zachowane.*

SZCZEGÓLNE PRZEPISY BEZPIECZEŃSTWA DLA NARZĘDZIA

WSKAZÓWKI BEZPIECZEŃSTWA DOTYCZĄCE WYRZYŃNAREK

- a. Podczas wykonywania czynności, przy których akcesoria do cięcia mogą zetknąć się z niewidocznym okablowaniem lub przewodem urządzenia, elektronarzędzie należy trzymać za izolowaną powierzchnię. *Kontakt z przewodem sieci zasilającej może spowodować przekazanie napięcia na części metalowe elektronarzędzia, co mogłoby spowodować porażenie prądem elektrycznym.*
- b. Obrabiany przedmiot powinien zostać zamocowany do stabilnej powierzchni za pomocą odpowiednich zatrzasków lub w inny praktyczny sposób. *Przytrzymywanie obrabianego przedmiotu dłonią*

lub przy ciele może spowodować utratę stabilności i kontroli.

- c. **Ręce należy trzymać z dala od obszaru cięcia.** Nie wsuwać ich pod obrabiany przedmiot. Przy kontakcie z brzeszczotem istnieje niebezpieczeństwo zranienia.
- d. **Przed przyłożeniem elektronarzędzia do obrabianego przedmiotu należy je włączyć.** W przeciwnym razie urządzenie może zostać zakleszczone w obrabianym przedmiocie lub gwałtownie odrzucone w chwili włączenia.
- e. **Po zakończeniu cięcia należy wyłączyć narzędzie i wyjąć brzeszczot z obrabianego przedmiotu dopiero wtedy, gdy całkowicie się zatrzyma.** Umożliwia to uniknięcie efektu odrzutu i bezpieczne wyjęcie narzędzia.
- f. **Należy używać jedynie brzeszczotów odpowiednio ostrych, bez jakichkolwiek wad.** Brzeszczoty wygięte lub stępione mogą złać się lub spowodować nagły odrzut.
- g. **Przed wyłączeniem urządzenia nie należy zatrzymywać brzeszczotu poprzez wywarcie nacisku bocznego.** Może to spowodować uszkodzenie i złamanie brzeszczotu lub nagłe odrzucenie urządzenia.
- h. **Należy używać odpowiednich detektorów w celu lokalizacji ukrytych przewodów zasilających lub skorzystać z pomocy zakładów miejskich.** Kontakt z przewodami znajdującymi się pod napięciem może doprowadzić do powstania pożaru lub porażenia elektrycznego. Uszkodzenie przewodu gazowego może doprowadzić do wybuchu. Naruszenie przewodu wodociągowego powoduje szkody rzeczowe lub może spowodować porażenie elektryczne.
- i. **Należy zabezpieczyć obrabiany przedmiot.** Zamocowanie obrabianego przedmiotu w urządzeniu mocującym lub imadło jest bezpieczniejsze niż trzymanie go w ręku.
- j. **Miejsce pracy należy utrzymywać w czystości.** Mieszanki materiałów są szczególnie niebezpieczne. Pył z metalu lekkiego może się zapalić lub wybuchnąć.
- k. **Przed odłożeniem narzędzia należy odczekać, aż całkowicie się zatrzyma.** W przeciwnym razie urządzenie może ulec zakleszczeniu, co grozi utratą kontroli nad elektronarzędziem.
- l. **Nie wolno używać narzędzia, jeżeli jego przewód zasilający jest uszkodzony. Nie wolno dotykać uszkodzonego przewodu, a jeżeli uległ on uszkodzeniu podczas pracy, należy natychmiast wyjąć wtyczkę z gniazdka zasilania.** Uszkodzenie przewodu grozi porażeniem prądem elektrycznym.

OGÓLNE WSKAZÓWKI BEZPIECZEŃSTWA DOTYCZĄCE STANOWISK ROBOCZYCH

- a. **Przed regulacją lub wymianą wyposażenia dodatkowego, należy odłączyć wtyczkę od źródła zasilania i/lub wyjąć akumulator z elektronarzędzia.** Przypadkowe uruchomienie elektronarzędzia może być przyczyną wypadku.
- b. **Przed rozpoczęciem mocowania narzędzia należy odpowiednio zmontować stólik roboczy.** Odpowiednie zmontowanie stółki jest ważne, ponieważ może zapobiec ryzyku spadnięcia.
- c. **Przed rozpoczęciem pracy elektronarzędzie należy dobrze przymocować do stółki roboczej.** Elektronarzędzie przesuwające się na stółki może spowodować utratę kontroli.
- d. **Stólik roboczy należy umieścić na solidnej, płaskiej i wypoziomowanej powierzchni.** Jeżeli stólik będzie się obracał lub kołysał, elektronarzędzie lub materiał obrabiany mogą nie być odpowiednio kontrolowane.

⚠ ZAKŁADAĆ OCHRONNIKI SŁUCHU (wpływ hałasu może spowodować utratę słuchu)

⚠ NIE NALEŻY OBRABIAĆ MATERIAŁU ZAWIERAJĄCEGO AZBEST (azbest jest rakotwórczy)

⚠ W PRZYPADKU, GDY PODCZAS PRACY URZĄDZENIA POWSTAJĄ SZKODLIWE DLA ZDROWIA, ŁATWOPALNE LUB WYBUCHOWE PYŁY, NALEŻY ZASTOSOWAĆ ODPOWIEDNIE ŚRODKI OCHRONNE (niektóre pyły są rakotwórcze); zaleca się używanie maski przeciwpyłowej, a po zakończeniu pracy odsysanie pyłu i wirów

DANE TECHNICZNE

Numer modelu	MS20
Wejście	70 W
Napięcie znamionowe	220-240 V~50/60 Hz
Prędkość bez obciążenia	1.500-2.250/min
Maks. głębokość cięcia	18 mm
Wysięg.	250 mm
Długość skoku	8 mm
Masa	1,1 kg

Należy stosować całkowicie rozwinięte i bezpieczne kable odpowiednio dla prądu 5 A. Należy zawsze upewnić się, że napięcie zasilania odpowiada wartości napięcia określonej na tabliczce znamionowej narzędzia.

OGÓLNE ⑥

Wyrzynarka brzeszczotowa 2 w 1 do pracy stacjonarnej i od ręcznej. Może ona być używana zarówno w trybie stacjonarnym, po zamocowaniu narzędzia w podstawie, lub do pracy od ręcznej. Narzędzie jest przeznaczone do wykonywania precyzyjnych, prostych i krzywoliniowych cięć w różnego rodzaju materiałach – takich jak miękkie i twarde drewno, płyty kompozytowe, laminat, PCV lub miękkie blachy metalowe – przy użyciu akcesoriów zalecanych przez markę Dremel.

- A. Przycisk zwalniania docisku
- B. Docisk
- C. Dźwignia blokowania osłony
- D. Szyna prowadnicy
- E. Podstawa
- F. Dysza zasysająca
- G. Wylącznik
- H. Pokrętko regulacji prędkości
- I. Zaciski zabezpieczające
- J. Otwór do montażu na stałe
- K. Przycisk szybkiego zwalniania
- L. Dźwignia szybkiej wymiany akcesoriów

UŻYTKOWANIE

⚠ PRZED MONTAŻEM, REGULACJĄ LUB ZMIANĄ AKCESORIÓW NALEŻY ODŁĄCZYĆ WTYCZKĘ OD ŹRÓDŁA ZASILANIA. Przestrzeganie tych wskazówek bezpieczeństwa zapewnia ograniczenie ryzyka niezamierzonego uruchomienia urządzenia.

ODPYLANIE

Narzędzie jest wyposażone w dyszę zasysającą do odpylania. Aby korzystać z tej funkcji było możliwe, do odpowiedniego złącza musi zostać podłączony odkurzacz.

TRYB STACJONARNY

Wykorzystywanie narzędzia w trybie stacjonarnym umożliwi cięcie różnego rodzaju materiałów; w tym trybie obrabiany przedmiot może być trzymany jednocześnie obiema rękami. Tryb ten umożliwia majsterkowanie lub wykonywanie bardziej skomplikowanych prac związanych z obróbką drewna w sposób precyzyjny i łatwy.

1. Należy upewnić się, że podstawa jest prawidłowo zamocowana do płaskiej powierzchni roboczej za pomocą zacisków dostarczonych w zestawie (7). Podstawa może zostać zamocowana na stałe do stanowiska roboczego za pośrednictwem 2 otworów znajdujących się w górnej części podstawy. **Nie wolno siadać na podstawie ani opierać się o nią. Podstawa jest przeznaczona do podpierania przycinanych materiałów.**
2. Po zamocowaniu podstawy należy osadzić w niej narzędzie: najpierw przeprowadzić przewód przez otwór w podstawie, a następnie po prostu wsunąć urządzenie w podstawę (8). Narzędzie jest zamocowane w sposób prawidłowy, gdy jednostka podręczna i stacjonarna podstawa znajdują się w jednej linii. **Podstawa może być wykorzystywana jedynie z wyrzynarką Dremel. Żadne inne elektronarzędzia nie mogą być wykorzystywane razem z podstawą.**
3. Po zamontowaniu brzeszczotu w sposób wskazany na ilustracji (9) narzędzie jest gotowe do pracy.
4. Włączyć narzędzie i przed przyłożeniem go do obrabianego przedmiotu odczekać, aż osiągnie prawidłową prędkość roboczą. **Nie wolno zmieniać pozycji wyłącznika, gdy narzędzie znajduje się pod obciążeniem.**

Przyłożyć docisk do obrabianego przedmiotu, aby uniemożliwić jego odbijanie.

W celu zmniejszenia wibracji należy przytrzymać obrabiany przedmiot obiema rękami, w pobliżu brzeszczotu.

Nie należy dociskać obrabianego przedmiotu do brzeszczotu wyrzynarki zbyt mocno. Brzeszczoty są przeznaczone do ostrożnego użycia. W związku z tym brzeszczot potrzebuje pewnego czasu na wykonanie cięcia. Zbyt mocne dociskanie do obrabianego przedmiotu może spowodować przedwczesne zużycie brzeszczotu. **Przed rozpoczęciem właściwej pracy należy wykonać kilka cięć próbnych, wykorzystując niepotrzebne skrawki materiału.**

TRYB ODRĘCZNY

Wykorzystywanie narzędzia jako urządzenia ręcznego jest zalecane, gdy obrabiany przedmiot jest zbyt długi lub zamocowany i z tego powodu nie może zostać umieszczony na podstawie. Typowe projekty odręczne obejmują przecinanie lub wycinanie niewielkich części materiału. W trybie odręcznym narzędzie pracuje jako piła/wyrzynarka silnikowa.

1. Podczas demontażu narzędzia z podstawy należy wciskać przycisk szybkiego zwalniania (10).
2. Gdy narzędzie zostanie zwolnione, może być trzymane w ręce (11). **Podczas wykonywania cięcia w trybie odręcznym należy zawsze mocno trzymać narzędzie.**
3. W celu zmniejszenia wibracji należy starać się przytrzymać powierzchnię narzędzia przy dolnej krawędzi obrabianego przedmiotu (12).

PROWADNICA KRAWĘDZIOWA (13)

Prowadnica krawędziowa może zostać założona w każdej z szyn prowadnicy.

Akcesorium może być wykorzystywane jako popychacz lub prowadnica krawędziowa/osłona. W przypadku wykorzystywania jako popychacza, prowadnica nie musi być mocowana w szynach za pomocą dźwigni blokowania osłony.

Prowadnica może być używana pod różnym kątem.

Aby zmienić kąt należy odkręcić śrubę motylkową na prowadnicy i przekręcić główkę do odpowiedniego położenia.

Prowadnica krawędziowa może zostać zablokowana w miejscu poprzez przekręcenie dźwigni blokowania osłony. W ten sposób prowadnica nie będzie ślizgać się w szynie.

KONSERWACJA I CZYSZCZENIE

⚠ NIE NALEŻY SAMODIELNIE OTWIERAĆ NARZĘDZIA. PROFILAKTYCZNA KONSERWACJA PRZEPROWADZONA PRZEZ NIEUPOWAŻNIONĄ DO TEGO OSOBĘ MOŻE DOPROWADZIĆ DO ZMIAN W POŁĄCZENIACH WEWNĘTRZNYCH PRZEWODÓW LUB KOMPONENTÓW A TO MOŻE STWORZYĆ POWAŻNE NIEBEZPIECZEŃSTWO.

Narzędzie najlepiej czyścić się skompresowanym suchym powietrzem. **Podczas czyszczenia skompresowanym powietrzem należy zawsze nosić okulary ochronne.**

⚠ ABY UNIKAĆ WYPADKÓW NALEŻY PRZED CZYSZCZENIEM ZAWSZE WYŁĄCZYĆ URZĄDZENIE I/LUB ŁADOWARKĘ ZE ŹRÓDŁA ZASILANIA

Otwory wentylacyjne i przełączniki należy utrzymywać w czystości i wolne od obcych ciał. Nie należy próbować czyścić narzędzia poprzez wkładanie ostrych przedmiotów w otwory.

⚠ NIEKTÓRE ŚRODKI CZYSZCZENIA I ROZPUSZCZALNIKI MOGĄ USZKODZIĆ PLASTIKOWE CZĘŚCI. *Niektóre z nich to: benzyna, czterochlorek węgla, chlorowane rozpuszczalniki czyszczące, amoniak i detergenty gospodarstwa domowego, które zawierają amoniak.*

SERWIS I GWARANCJA

Zalecamy, aby serwis narzędzia odbywał się tylko w Dziale Serwisu Bosch.

Produkt Dremel jest objęty gwarancją zgodną z przepisami międzynarodowymi/krajowymi; gwarancja nie obejmuje uszkodzeń powstałych w wyniku normalnego zużycia elementów, przeciążenia lub nieprawidłowego użytkowania. W przypadku reklamacji, należy wysłać niezdemontowane narzędzie lub ładowarkę wraz z dowodem zakupu do sprzedawcy.

KONTAKT Z PRODUCENTEM MARKI DREMEL

Więcej informacji dotyczących serwisowania i gwarancji, asortymentu marki Dremel, obsługi technicznej i infolinii znajduje się na stronie www.dremel.com.

HAŁAS I WIBRACJE

Poziom ciśnienia akustycznego (odchylenie standardowe: 3dB) dB(A)	76,0
Poziom mocy akustycznej (odchylenie standardowe: 3dB) dB(A)	87,0
Wibracje (cięcie stali miękkiej) m/s ²	7,7
Wibracje (cięcie płyt wiórowych) m/s ²	8,4
Niekreśloność poziomu drgań K m/s ²	1,5

UWAGA: Określone całkowite poziomy drgań i określone wartości emisji hałasu zostały zmierzone przy użyciu standardowej metody testowej i mogą być wykorzystywane w zakresie porównywania narzędzi. Wartości te można również wykorzystywać w zakresie opracowania wstępnej analizy narażenia.

Drgania i hałas emitowane podczas faktycznego używania elektronarzędzia mogą różnić się od ich wartości przedstawionych w instrukcji, ponieważ zależą od sposobu korzystania z narzędzia. Należy przeprowadzić ocenę ryzyka w rzeczywistych warunkach używania oraz określić środki bezpieczeństwa, które należy przedsięwziąć dla własnej ochrony (należy uwzględnić wszystkie etapy cyklu operacyjnego, w tym czas, kiedy urządzenie jest wyłączone oraz kiedy pracuje na biegu jałowym, jako etapy uzupełniające cykl, oprócz czasu uruchomienia).

USUWANIE ODPADÓW

Przyrząd, akcesoria oraz opakowanie należy posortować, aby umożliwić ich recykling, który sprzyja ochronie środowiska.

TYLKO DLA PAŃSTW NALEŻĄCYCH DO UE

Zgodnie z Europejską Dyrektywą 2012/19/WE w sprawie zużytego sprzętu elektrotechnicznego i elektronicznego oraz dostosowaniem jej do prawa krajowego, zużyte elektronarzędzia należy posegregować i zutylizować w sposób przyjazny dla środowiska.

BG

ИЗПОЛЗВАНИ СИМВОЛИ

- 1 ПРОЧЕТЕТЕ ТЕЗИ ИНСТРУКЦИИ
- 2 ИЗПОЛЗВАЙТЕ ЗАЩИТА ЗА СЛУХА
- 3 ИЗПОЛЗВАЙТЕ ЗАЩИТА ЗА ОЧИТЕ
- 4 КОНСТРУКЦИЯ КЛАС II
- 5 НЕ ИЗХВЪРЛЯЙТЕ ЕЛЕКТРОИНСТРУМЕНТИТЕ ПРИ БИТОВИТЕ ОТПАДЪЦИ

ОБЩИ ПРЕДУПРЕЖДЕНИЯ ЗА БЕЗОПАСНОСТ ПРИ РАБОТА С ЕЛЕКТРОИНСТРУМЕНТИ

⚠ ВНИМАНИЕ ПРОЧЕТЕТЕ И ПРЕГЛЕДАЙТЕ ВСИЧКИ ПРЕДУПРЕЖДЕНИЯ, УКАЗАНИЯ, ИЛЮСТРАЦИИ И ТЕХНИЧЕСКИ ХАРАКТЕРИСТИКИ, ОТНАСЯЩИ СЕДО БЕЗОПАСНОСТТА, ПРЕДОСТАВЕНИ С ТОЗИ ЕЛЕКТРОИНСТРУМЕНТ.

Ако не спазвате посочените по-долу указания, това може да доведе до токов удар, пожар и/или сериозни травми. Запазете всички предупреждения и инструкции за бъдещи справки. Терминът „електроинструмент“ в предупрежденията се отнася за вашата захранващ от мрежата (с кабел) или за работещ на батерии (без кабел) електроинструмент.

БЕЗОПАСНОСТ НА РАБОТНОТО МЯСТО

- a. Поддържайте работното си място чисто и подредено. Безпорядъкът и недостатъчното осветление могат да предизвикат трудови злополуки.

- b. Не работете с електроинструменти във взривоопасна среда, при наличие на леснозапалими течности, газове или прахообразни материали. Електроинструментите могат да отделят искри, които могат да възпламят прахообразни материали или пари.
- c. Децата и страничните лица трябва да бъдат далеч от електроинструмента по време на работа. Отклоняване на вниманието може да доведе до загуба на контрол върху електроинструмента.

БЕЗОПАСНОСТ ПРИ РАБОТА С ЕЛЕКТРИЧЕСКИ ТОК

- a. Щепселът на електроинструмента трябва да съответства на използвания електрически контакт. В никакъв случай не променяйте конструкцията на щепсела. Когато работите със заземени (занулени) електроинструменти, не използвайте адаптери за щепсела. Използването на оригинални щепсели и контакти намалява риска от токов удар.
- b. Избягвайте допира на тялото ви до заземени или занулени повърхности, например тръби, радиатори, печки и хладилници. Когато тялото ви е заземено или занулено, рискът от възникване на токов удар е по-голям.
- c. Не излагайте електроинструментите на дъжд или влага. Проникването на вода в електроинструмента повишава опасността от токов удар.
- d. Използвайте кабела само по предназначение. Не използвайте кабела за носене на електроинструмента, за дърпане или за изваждане на щепсела от контакта. Пазете кабела от нагряване, омазняване, остри ръбове или движещи се части. Повредени или заплетени кабели увеличават риска от токов удар.
- e. При работа с електроинструмента на открито използвайте удължителен кабел, подходящ за работа на открито. Използването на кабел, предназначен за работа на открито, намалява риска от токов удар.
- f. Ако работата с механизирани инструменти на влажно място е неизбежна, използвайте източник с диференциална защита (RCD). Използването на RCD намалява опасността от възникване на токов удар.

ЛИЧНИ ПРЕДПАЗНИ СРЕДСТВА

- a. Бъдете внимателни, следете внимателно действията си и работете предпазливо с електроинструмента. Не използвайте електроинструмента, когато сте уморени или под влиянието на наркотични вещества, алкохол или упойващи лекарства. Един миг разсеяност при работа с електроинструмента може да доведе до сериозни наранявания.
- b. Използвайте предпазна екипировка. Винаги носете предпазни средства за очите. Носенето на подходящи предпазни средства, като маска против прах, предпазни обувки със стабилен грайфер, твърда шалка или предпазни средства за ушите намалява риска от наранявания.
- c. Избягвайте включването на електроинструмента по невнимание. Преди да включите щепсела в захранващата мрежа и/или поставяне на акумулатора, вдигане или носене на уреда, се уверете, че превключателят е в положение „изключено“. Ако при носене на електроинструмента държите пръста си върху превключателя или ако подавате захранващо

напрежение към електроинструмента, когато е включен, възниква опасност от злополука.

- d. Преди да включите електроинструмента, отстранете всички помощни инструменти и гаечни ключове от него. Гаечен ключ или помощен инструмент, прикрепен към въртяща се част на електроинструмента може да причини наранявания.
- e. Не се протягайте с усилие. Винаги работете в стабилно положение и поддържайте равновесие. Така ще можете по-добре да контролирате електроинструмента, ако възникне неочаквана ситуация.
- f. Носете подходящо облекло. Не работете с широки дрехи или бижута. Дръжте косата, дрехите и ръкавиците си на безопасно разстояние от въртящите се части. Широките дрехи, бижутата или дългите коси могат да се закачат на въртящите се части.
- g. Ако се предвижда използването на аспирационна уредба, се уверете, че тя е свързана и се използва правилно. Използването на приспособления за събиране на прах може да намали опасностите, свързани с праха.
- h. Доброто познаване на електроинструмента вследствие на честа работа с него не е повод за намаляване на вниманието и пренебрегване на мерките за безопасност. Едно невнимателно действие може да предизвика тежки наранявания само за части от секундата.

ИЗПОЛЗВАНЕ И ПОДДЪРЖАНЕ НА ЕЛЕКТРОИНСТРУМЕНТИТЕ

- a. Не претоварвайте електроинструмента. Използвайте електроинструмента само по неговото предназначение. Ще работите по-добре и по-безопасно, когато използвате подходящия електроинструмент в зададения от производителя диапазон на натоварване.
- b. Не използвайте електроинструмент, чийто преклещвател е повреден. Електроинструмент, който не може да се включва и изключва с преклещвателя, е опасен и трябва да се ремонтира.
- c. Преди да промените настройките, да смените приставки или да прибирате електроинструментите за дълъг период от време, изключвайте щепсела от захранващия източник и/или изваждайте акумулаторната батерия, ако това е възможно. Тази предпазна мярка премахва опасността от задействане на електроинструмента по невнимание.
- d. Когато не използвате електроинструмента, го съхранявайте извън обсега на деца и не позволявайте на лица, незапознати с електроинструмента или с тези инструкции, да работят с него. Електроинструментите са опасни в ръцете на необучени потребители.
- e. Извършвайте поддръжка на електроинструментите и принадлежностите. Проверявайте за разместването или блокирането на подвижните части, отчупени части и всички други обстоятелства, които могат да повлияят на работата на електроинструмента. Ако електроинструментът е повреден, поправете го, преди да го използвате. Много злополуки са причинени от лошо поддържани електроинструменти.
- f. Пазете режещите инструменти остри и чисти. Правилно поддържаните режещи инструменти с остри режещи ръбове се заклиневат по-рядко и са по-лесни за управление.

- g. Използвайте електроинструмента, приставките и накрайниците към него съгласно тези инструкции, като вземете под внимание условията на работа и вида работа, която трябва да се извърши. Използването на електроинструмента за дейности, различни от тези, за които е предназначен, може да доведе до опасност.
- h. Поддържайте дръжките и ръкохватките сухи, чисти и неомаслени. Хлъзгавите дръжки и повърхности за хващане не позволяват безопасната работа и доброто контролиране на електроинструмента при възникване на неочаквани ситуации.

ОБСЛУЖВАНЕ

- a. Ремонтирайте вашия електроинструмент само при квалифицирани сервизни техници, използващи само оригинални резервни части. Това ще гарантира запазването на безопасността на електроинструмента.

СПЕЦИФИЧНИ ЗА МАШИНАТА УКАЗАНИЯ ЗА БЕЗОПАСНА РАБОТА

ПРЕДУПРЕЖДЕНИЯ ЗА БЕЗОПАСНОСТ ЗА МАШИНИ ТРИОНИ


- a. Дръжте електроинструмента за изолираните, предназначени за целта повърхности, когато при извършваната от вас операция има вероятност режещият накрайник да влезе в контакт със скрит или със собствения си кабел. Режещият консуматив в контакт с проводник под напрежение може да отведе напрежението до оголените метални части на електроинструмента и да се стигне до електрически удар на оператора.
- b. Използвайте скоби или друг практичен метод за фиксиране и поддръжане на работния детайл към стабилна платформа. При държане на работния детайл с ръка или подпиране на тялото ви той остава нестабилен и това може да доведе до загуба на контрол.
- c. Дръжте ръцете си на разстояние от зоната на рязане. Не пипайте под обработвания детайл. Съществува опасност да се нараните, ако допрете режещия лист.
- d. Допирайте електроинструмента към детайла само след като тя е включена. В противен случай съществува опасност от откат, когато режещият инструмент захване детайла.
- e. Когато срезът е направен, изключете инструмента и след това издърпайте острието му извън разреза едва след като острието застине неподвижно. По този начин можете да избегнете откат и да оставите инструмента по безопасен начин.
- f. Използвайте само остри и без недостатъци остриета. Огънати или затъпени остриета може да се счупят или да доведат от откат.
- g. Не чупете острието, за да спрете, като приложите натиск от страни след изключване. Острието може да бъде повредено, счупено или да се стигне до откат.
- h. Използвайте подходящи прибори, за да откриете евентуално скрити под повърхността тръбопроводи, или се обърнете към съответното местно комунално предприятие. Влизането в съприкосновение с електропроводници може да предизвика пожар и

токов удар. Уверждането на газопровод може да доведе до експлозия. Повреждането на водопровод има за последствие материални щети и може да предизвика токов удар.


- i. **Фиксирайте обработвания детайл.** Детайл, захваанат с фиксиращи приспособления или в менгема, е застопорен по-здраво и сигурно, отколкото ако го държите с ръка.
- j. **Поддържайте работното си място чисто.** Смесите от различни материали са особено опасни. Фини стружки от леки метали могат да се запалят или да експлодират.
- k. **Винаги изчакайте инструментът да спре напълно, преди да го оставите.** Накрайникът може да се заклинни и да доведе до загуба на контрол над електроинструмента.
- l. **Никога не използвайте инструмента с повреден кабел.** Когато кабелът бъде повреден по време на работа, не го докосвайте, а издърпайте щепсела от контакта. Повредените кабели увеличават риска от токов удар.

ОБЩИ ПРЕДУПРЕЖДЕНИЯ ЗА БЕЗОПАСНОСТ ЗА РАБОТЕН СТЕНД

- a. Изваждайте щепсела от захранващия източник и/или батерийния блок от електроинструмента, преди да извършвате каквито и да било регулировки или да сменят принадлежности. Инцидентното включване на електроинструмента е причина за някои инциденти.
- b. Преди да монтирате инструмента, сглобете правилно работния стенд. Това е важно за предотвратяване на риска от падане.
- c. Преди употреба закрепете здраво електроинструмента към работния стенд. Изместването му върху стенда може да доведе до загубата на управление.
- d. Поставете работния стенд върху солидна, плоска и равна повърхност. Ако работният стенд може да се отмества или люлее, няма да можете да управлявате стабилно и безопасно електроинструмента или обработвания детайл.

 **НОСЕТЕ ПРЕДПАЗНИ СРЕДСТВА ЗА УШИТЕ** (излагането на въздействието на шум може да предизвика загуба на слуха)

 **НЕ ОБРАБОТВАЙТЕ МАТЕРИАЛ, СЪДЪРЖАЩ АЗБЕСТ** (азбестът е канцерогенен)

 **ВЗЕМЕТЕ ПРЕДПАЗНИ МЕРКИ, КОГАТО ПО ВРЕМЕ НА РАБОТА МОЖЕ ДА СЕ ОТДЕЛИ ВРЕДЕН ЗА ЗДРАВЕТО, ЛЕСНОЗАПАЛИМ ИЛИ ВЗРИВООПАСЕН ПРАХ** (някои прахове се считат за канцерогенни); носете дихателна маска и ако е възможно, включете аспирационна уредба за прах/стърготини

СПЕЦИФИКАЦИИ

Номер на модела MS20
Входна мощност 70 W
Напрежение 220-240V~50/60Hz
Скорост на празен ход 1500-2250 об/мин
Максимална дълбочина на рязане 18 mm
Дълбочина на сечение 250 mm
Дължина на хода 8 mm
Тегло 1,1 kg

Използвайте изцяло развити и здрави удължителни кабели с мощност 5 А.


Винаги проверявайте дали захранващото напрежение е същото като посоченото на фабричната табелка на инструмента.

ОБЩИ ВЪПРОСИ ⑥

Моторният трион е компактен и много лесен за употреба лентов трион 2 в 1. Той може да бъде използван в стационарен режим, когато инструментът е прикрепен към базата си, или в ръчен режим. Този инструмент е предназначен за извършване на прецизни прави и криви срязвания в различни материали, включително меко и твърдо дърво, композитни панели, ламинат, PVC или мек листов метал с помощта на съответните аксесоари, препоръчани от Dremel.

- A. Бутон за освобождаване на притискащото краче
- B. Притискащо краче
- C. Лост за блокиране на предпазителя
- D. Водеща релса
- E. Основа
- F. Отвор за прах
- G. Превключвател Вкл./Изкл.
- H. Превключвател на скалата за обороти
- I. Фиксиращи стяги
- J. Отвор за постоянно фиксиране
- K. Бутон за бързо освобождаване
- L. Лост за бърза смяна на аксесоари

УПОТРЕБА

 **РАЗКАЧЕТЕ ЩЕПСЕЛА ОТ ЗАХРАНВАЩИЯ КОНТАКТ, ПРЕДИ ДА СГЛОБЯВАТЕ, РЕГУЛИРАТЕ ИЛИ ИНСТРУМЕНТА ИЛИ СМЕНИЯТЕ АКСЕСОАРИ.** Такива превантивни мерки за безопасност намаляват риска от случайно стартиране на инструмента.

ИЗВЛИЧАНЕ НА ПРАХА

Инструментът е оборудван с отвор за извличане на прах. За да използвате тази функция, прикачете маркуча на прахосмукачката към порта за извличане на прах.

СТАЦИОНАРЕН РЕЖИМ

Използването на инструмента в стационарен режим ви дава свободата да режете различни материали, използвайки двете си ръце за придържане на детайла. В този режим можете лесно и прецизно да осъществите различни любителски или дърводелски проекти.

1. Уверете се, че основата е прикачена стабилно към плоска работна повърхност с помощта на предоставените стяги ⑦. Основата може да бъде постоянно фиксирана към работен тезгях с обикновени винтове през 2 отвора в горната част на основата.
Не сядайте и не се облягайте на основата. Основата е предназначена да поддържа материалите, които ще бъдат рязани.
2. След като основата е фиксирана, прикачете инструмента в нея: първо прекарайте кабела през отвора в основата, а след това просто щракнете инструмента в основата ⑧. Инструментът е безопасно прикачен, когато ръчният уред и стационарната основа са плътно един спрямо друг.
В тази основа използвайте само моторен трион Dremel. Други електроинструменти не са предназначени за употреба в тази основа.

- След като острието на триона е поставено съгласно показаното на ⑨, инструментът е готов за работа.
- Стартирайте инструмента и го оставете да достигне достатъчни обороти преди осъществяване на контакт с работния детайл.
Не сменяйте превключателя между „вкл. и „изкл.“, докато инструментът е под натоварване.

Натиснете надолу притискащото краче върху работния детайл, за да предотвратите мърдането му. За да минимизирате вибрацията, дръжте работния детайл с две ръце близо до острието. Не бутайте детайла прекалено силно срещу острието. Тези остриета са за деликатна работа. Ето защо е важно острието да има време да отреже материала. Прекалено големият натиск върху детайла би довел до преждевременно счупване на острието.
Преди да започнете работа върху проекта, направете няколко разреза върху отпадъчен материал, за да практикувате.

РЪЧЕН РЕЖИМ

Използването на инструмента в ръчен режим е препоръчително, когато детайлът е прекалено голям или фиксиран и затова не може да бъде поставен върху основата. Типична работа в ръчен режим включва копирна работа или изрязване на малки части от материали. В ръчен режим инструментът функционира като моторизиран копирен/орнаментен трион.

- Продължавайте да натискате бутона за бързо освобождаване, докато отделяте инструмента от основата му ⑩.
- След като инструментът е отделен, той може да бъде държан с ръка ⑪. **Докато режете в ръчен режим се уверете, че държите здраво инструмента.**
- Опитайте се да изравните повърхността на инструмента спрямо долната част на работния детайл, за да намалите вибрациите ⑫.

ЪГЛОВ ВОДАЧ ⑬

Ъгловият водач може да бъде използван заедно с която и да е водеща релса. Това приспособление може да бъде използвано като пръчка за избутване или като ъглов водач/предпазител. Когато се използва като пръчка за бутане, няма нужда от блокирането му в релса с лоста за блокиране на предпазителя. Водачът може да бъде използван при различни ъгли. За да регулирате ъгъла, разхлабете крилчатата гайка на водача и завъртете главата в желаното положение. Ъгловият водач може да бъде блокиран на място със завъртане на лоста за блокиране на предпазителя. Задействането му ще предотврати плъзгането на водача в релсата.

ПОДДРЪЖКА И ПОЧИСТВАНЕ

А **ВЪТРЕШНАТА ЧАСТИ, ИЗСКВАЩИ ОБСЛУЖВАНЕ ОТ ПОТРЕБИТЕЛЯ. ПРЕВАНТИВНАТА ПОДДРЪЖКА, ИЗВЪРШВАНА ОТ НЕУПЪЛНОМЩЕН ПЕРСОНАЛ, МОЖЕ ДА ПРЕДИЗВИКА РАЗМЕСТВАНЕ НА ВЪТРЕШНИТЕ КАБЕЛИ И КОМПОНЕНТИ, КОЕТО ДА ДОВЕДЕ ДО ВЪЗНИКВАНЕ НА СЕРИОЗНА ОПАСНОСТ.**

Инструментът се почиства най-добре със сух сгъстен въздух. **При почистване на инструменти с въздух под налягане винаги носете защитни очила.**

А **ЗА ДА ПРЕДТВРАТИТЕ ИНЦИДЕНТИ, ПРЕДИ ПОЧИСТВАНЕ ВИНАГИ ИЗКЛЮЧАЙТЕ ИНСТРУМЕНТА ИЛИ ЗАРЯДНОТО УСТРОЙСТВО ОТ ЗАХРАНВАНЕТО**

Вентилационните отвори и лостчетата за превключване трябва да се поддържат чисти и без наличие на чужди тела. Не се опитвайте да почиствате инструмента чрез поставяне на чужди предмети в отворите му.

А **НЯКОИ ПОЧИСТВАЩИ ПРЕПАРАТИ И РАЗТВОРИТЕЛИ ПОВРЕЖДАТ ПЛАСТМАСОВИТЕ ЧАСТИ. Между тях са: бензин, въглероден тетрахлорид, почистващи разтворители, които съдържат хлор, амоняк и домакински почистващи препарати, които съдържат амоняк.**

ТЕХНИЧЕСКО ОБСЛУЖВАНЕ И ГАРАНЦИЯ

Препоръчваме ви да извършвате цялото обслужване на инструмента в сервисния център на Dremel. Този продукт на Dremel се предлага с гаранция, съответстваща на законово определените/конкретни за страната разпоредби; повреди, причинени от нормално износване и изхабяване, претоварване или неправилна експлоатация не се включват в гаранцията. В случай на reclamaция, изпратете инструмента и/или зарядното устройство в неразглобен вид заедно с документ за покупката на дистрибутора.

ЗА ВРЪЗКА С DREMEL

За повече информация относно обслужването и гаранцията, поддръжката и горещата линия на Dremel посетете www.dremel.com.

ШУМ И ВИБРАЦИИ

Ниво на звуковото налягане (стандартно отклонение 3 dB) dB(A)	76,0
Ниво на звуковата мощност (стандартно отклонение 3 dB) dB(A)	87,0
Вибрации (рязане на мека стомана) m/s ²	7,7
Вибрации (рязане на талашит) m/s ²	8,4
Несигурност при измерване на вибрациите K m/s ²	1,5

ЗАБЕЛЕЖКА: Декларираната(ите) обща(и) стойност(и) на вибрациите и декларираната стойност на шумовите емисии са измерени в съответствие със стандартния метод за изпитване и може да бъдат използвани за сравняване на един инструмент с друге. Те може да бъдат използвани и за предварителна оценка на излагането на въздействие.

Вибрациите и шумовите емисии, излъчвани по време на реалното използване на електроинструмента, може да се различават от декларираната обща стойност в зависимост от начините на използване на инструмента. Направете оценка на излагането на вибрации при реалните условия на използване и определете съответните мерки за безопасност, осигуряващи лична защита (вземете предвид всички части на работния цикъл, като времето, през което инструментът е изключен и времето, през което той работи на празен ход, в допълнение на времето на включване).

БРАКУВАНЕ

Инструментът, приставките и опаковката трябва да бъдат сортирани с цел екологично рециклиране.

CAMO ZA STRANI OT EC ⑥

Съгласно Директивата на ЕС 2012/19/ЕО относно бракувани електрически и електронни устройства и утвърждаването ѝ като национален закон електронинструментите, които не могат да се използват повече, трябва да се събират отделно и да бъдат подлагани на подходяща преработка за оползотворяване на съдържащите се в тях вторични суровини.

HU

HASZNÁLT SZIMBÓLUMOK

- ① OLVASSA EL EZEKET AZ ELŐÍRÁSOKAT
- ② HASZNÁLJON FÜLVÉDŐT
- ③ HASZNÁLJON VÉDŐSZEMÜVEGET
- ④ II. OSZTÁLYÚ KÉSZÜLÉK
- ⑤ NE DOBJA KI AZ ELEKTROMOS KÉZISZERSZÁMOKAT A HÁZTARTÁSI SZEMÉTBÉ

AZ ELEKTROMOS KÉZISZERSZÁMRA VONATKOZÓ ÁLTALÁNOS BIZTONSÁGI FIGYELMEZTETÉSEK

▲ FIGYELEM VEGYEN FIGYELEMBE MINDEN FIGYELMEZTETŐ JELZÉST, ELŐÍRÁST, ÁBRÁT ÉS ADATOT, AMELYET AZ ELEKTROMOS KÉZISZERSZÁMHOZ MELLÉKELTEK.

Ha nem tartja be a következő előírásokat, akkor az áramütéshez, tűzhez és/vagy súlyos személyi sérülésekhez vezethet. **Őrizze meg a figyelmeztetéseket és az előírásokat későbbi használatra.** Az „elektromos kéziszerszám” kifejezés az alábbi figyelmeztetések mindegyikében a hálózati feszültségről működő (vezetékes) szerszámot vagy akkumulátoros (vezeték nélküli) szerszámot jelenti.

A MUNKATERÜLET BIZTONSÁGA

- A munkahely legyen tiszta és jól megvilágított. A rendezetlen és nem megfelelően megvilágított munkaterület balesetekhez vezethet.
- Ne dolgozzon az elektromos kéziszerszámmal olyan robbanásveszélyes környezetben, ahol éghető folyadékok, gázok vagy porok vannak. Az elektromos kéziszerszámok szikrákat keltenek, amelyek a port vagy a gőzöket meggyújtják.
- Tartsa távol a gyerekeket és az idegen személyeket a munkahelytől, ha az elektromos kéziszerszámot használja. Ha elvonják a figyelmét, elveszítheti az uralmát a berendezés felett.

ELEKTROMOS BIZTONSÁGI ELŐÍRÁSOK

- A készülék csatlakozódugójának illeszkednie kell a dugaszolóaljzatba. A csatlakozódugót semmilyen módon sem szabad megváltoztatni. Védőföldeléssel ellátott elektromos kéziszerszámokhoz ne használjon csatlakozó adaptert. Ha nem módosítja a csatlakozódugót és a dugó illeszkedik az aljzatba, azaz csökkentheti az áramütés kockázatát.
- Kerülje a földelt felületek, például csövek, fűtőtestek, kályhák és hűtőgépek megérintését. Az áramütési veszély megnövekszik, ha a teste le van földelve.

- Tartsa távol az elektromos kéziszerszámot az esőtől vagy nedvességtől. Ha víz kerül egy elektromos kéziszerszámra, az megnöveli az áramütés veszélyét.
- Soha ne használja az elektromos kábelt a rendeltetésétől eltérő célra. A szerszámot soha ne hordozza a kábelnél fogva, és soha ne húzza ki a hálózati csatlakozó dugót a kábelnél fogva. Tartsa távol a kábel hőforrásoktól, olajtól, éles élektől és mozgó gépkalkatrészeketől. A megrongálódott vagy megtekeredett kábel növeli az áramütés veszélyét.
- Ha kültéren működött a kéziszerszámot, akkor kültéri használatra alkalmas hosszabbítót használjon. A szabadban való használatra engedélyezett hosszabbító használat csökkenti az áramütés veszélyét.
- Ha az elektromos kéziszerszámot nedves helyen kell használnia, akkor maradékáram-éscsökkentő (RCD) védett aljzatot használjon! Az RCD alkalmazása csökkenti az áramütés kockázatát.

SZEMÉLYI BIZTONSÁG

- Munka közben mindig legyen óvatos, ügyeljen arra, amit csinál, és megdölgözzon az elektromos kéziszerszámmal. Ha fáradt, vagy gyógyszerek, alkohol vagy orvosságok hatása alatt áll, ne használja az elektromos kéziszerszámot. Egy pillanatnyi figyelmetlenség a szerszám használatában közben komoly sérülésekhez vezethet.
- Viseljen személyi védőfelszerelést. Mindig viseljen védőszemüveget. A személyi védőfelszerelések, mint porvédő maszk, csúszásbiztos védőcipő, védősisak és fülvédő megfelelő körülmények között történő használat csökkenti a személyi sérülések kockázatát.
- Kerülje el a készülék akaratlan üzembe helyezését. Győződjön meg arról, hogy az elektromos kéziszerszám ki van kapcsolva, mielőtt csatlakoztatná a hálózathoz és/vagy felszerelné az akkumulátort, felvenné vagy hordozná a szerszámot. Ha az elektromos kéziszerszám felemelése közben az ujját a kapcsolón tartja, vagy ha a készüléket bekapcsolt állapotban csatlakoztatja az áramforráshoz, az balesetekhez vezethet.
- Az elektromos kéziszerszám bekapcsolása előtt okvetlenül távolítsa el a beállítószerszámot vagy tokmánykulcsot. Az elektromos kéziszerszám forgó részében felejtett beállítószerszám vagy tokmánykulcs sérüléseket okozhat.
- Ne próbáljon túl messzire nyúlni a kéziszerszámmal. Ügyeljen arra, hogy mindig biztosan álljon és az egyensúlyát megtartsa. Így az elektromos kéziszerszám felett váratlan helyzetekben is jobban tud uralkodni.
- Viseljen megfelelő ruhát. Ne viseljen bő ruhát vagy ékszereket. Tartsa távol a haját, a ruháját és a kesztyűjét a mozgó részekről. A bő ruhát, az ékszereket és a hosszú haját a mozgó alkatrészek magukkal rántják.
- Ha az elektromos kéziszerszámra fel lehet szerelni a por elszívásához és összegyűjtéséhez szükséges berendezéseket, győződjön meg róla, hogy azok megfelelő módon hozzá vannak kapcsolva a készülékhez és rendeltetésüknek megfelelően működnek. A porgyűjtés alkalmazása csökkenti a munka során keletkező por veszélyes hatását.
- Ne hagyja, hogy az elektromos kéziszerszám gyakori használat során szerzett tapasztalatok olyan önelégültté tegyék, hogy figyelmen kívül hagyja az idevatkozó biztonsági alapelveket. Egy gondatlan művelet egy másodperc törtrésze alatt súlyos sérüléseket okozhat.

AZ ELEKTROMOS KÉZISZERSZÁM KEZELÉSE ÉS HASZNÁLATA

- a. Ne terhelje túl a kéziszerszámot. A munkájához csak az arra szolgáló elektromos kéziszerszámot használja. *Egy alkalmas elektromos kéziszerszámmal a megadott teljesítménytartományon belül jobban és biztonságosabban lehet dolgozni.*
- b. Ne használjon olyan elektromos kéziszerszámot, amelynek a kapcsolója elromlott. *Az olyan elektromos kéziszerszám, amelyet nem lehet sem be-, sem kikapcsolni, veszélyes és meg kell javíttatni.*
- c. Húzza ki a csatlakozó dugót a dugaszolóaljzatból és/vagy – ha leválasztható – vegye ki az akkumulátort az elektromos kéziszerszámból, mielőtt a szerszámon beállítási munkákat végez, tartozékokat cserél vagy a szerszámot eltárolja. *Ez az elővigyázatossági intézkedés meggátolja a szerszám akaratlan üzembe helyezését.*
- d. A használaton kívüli elektromos kéziszerszámokat olyan helyen tárolja, ahol azokhoz gyerekek nem férhetnek hozzá. *Ne hagyja, hogy olyan személyek használják az elektromos kéziszerszámot, akik nem ismerik a szerszámot, vagy nem olvasták el ezt az útmutatót. Az elektromos kéziszerszámok veszélyesek, ha azokat gyakorlatlan személyek használják.*
- e. Tartsa karban az elektromos kéziszerszámokat és tartozékaikat. Ellenőrizze, hogy a mozgó alkatrészek kifogástalanul működnek-e, nincsenek-e beszorulva, és nincsenek-e eltörve vagy megrongálódva olyan alkatrészek, amelyek hatással lehetnek az elektromos kéziszerszám működésére. *A kéziszerszám megrongálódott részeit a készülék használata előtt javíttassa meg. Sok olyan baleset történik, amelyet az elektromos kéziszerszám nem kielégítő karbantartására lehet visszavezetni.*
- f. Tartsa tisztán és éles állapotban a vágószerszámokat. *Az éles vágóélekkel rendelkező és gondosan ápolvt vágószerszámok ritkábban ékelődnek be és azokat könnyebben lehet vezetni és irányítani.*
- g. Az elektromos kéziszerszámokat, tartozékokat, betétszerszámokat stb. csak ezen előírásoknak megfelelően használja. Vegye figyelembe a munkakörülményeket és a kivitelező munka sajátosságait. *Az elektromos kéziszerszám eredeti rendeltetésétől eltérő célokra való alkalmazása veszélyes helyzetekhez vezethet.*
- h. Tartsa szárazon, tisztán és olaj- és zsírmentes állapotban a fogantyúkat és markoló felületeket. *A csúszós fogantyúk és markoló felületek váratlan helyzetekben lehetetlenné teszik az elektromos kéziszerszám biztonságos kezelését és irányítását.*

SZERVIZ

- a. Az elektromos kéziszerszámot csak szakképzett személy javíthatja, kizárólag eredeti pótkatrészek felhasználásával. *Ez biztosítja, hogy az elektromos kéziszerszám biztonságos maradjon.*

A BERENDEZÉSRE VONATKOZÓ BIZTONSÁGI ELŐÍRÁSOK

BIZTONSÁGI FIGYELMEZTETÉSEK KISZÜROFŰRESZEKHEZ

- a. A szigetelt fogófelületen tartsa az elektromos kéziszerszámot, ha működtetés közben a vágóél egy rejtett vezetékkel vagy a saját elektromos zsinórtját érintheti. *Ha a tartozék feszültség alatt álló vezetékhez ér, az elektromos kéziszerszám szabadon*

álló fémrészei szintén feszültség alá kerülhetnek és áramütést okozhatnak.

- b. *Satuval vagy egyéb praktikus módon rögzítse a munkadarabot egy stabil munkafelületre. Ha a munkadarabot a kezében tartja, vagy a testéhez szorítja, azzal instabillá válik, és elveszitheti az uralmat a szerszám fölött.*
- c. *Tartsa távol a kezét a vágási területtől. Ne nyúljon a megmunkálásra kerülő munkadarab alá. Ha megérinti a fűrészlapot, megsérülhet.*
- d. *Az elektromos kéziszerszámot csak a bekapcsolása után illesse a munkadarabhoz. Ellenkező esetben fennáll a visszarúgás veszélye, amikor a vágószerszám belekap a munkadarabba.*
- e. *A vágás végén kapcsolja ki a szerszámot, és csak azután húzza ki a pengét a munkadarabból, ha a szerszám már leállt. Ezzel elkerülhető a visszarúgás, és biztonságosan lehelyezheti a szerszámot.*
- f. *Csak éles, hibátlan pengét használjon. A meghajlott vagy élettlen penge eltörhet vagy visszarúgást okozhat.*
- g. *Ne fekézze le a fűrészpengét oldalirányú megfogással a kikapcsolás után. A fűrészpenge megsérülhet, eltörhet vagy visszarúgást okozhat.*
- h. *A rejtett vezetékek felkutatásához használjon alkalmas fémmerevítő készüléket, vagy kérje ki a helyi energiellátó vállalat tanácsát. Ha egy elektromos vezeték a géppel megérint, az tűzhoz és áramütéshez vezethet. Gázvezeték megrongálása robbanást eredményezhet. Ha egy vízvezeték szakít meg, anyagi károk keletkeznek, vagy áramütést szenvedhet.*
- i. *A megmunkálásra kerülő munkadarabot megfelelően rögzítse. Egy befogó szerkezettel vagy satuval rögzített munkadarab biztonságosabban van rögzítve, mintha csak a kezével tartaná.*
- j. *Tartsa tisztán a munkahelyét. Az anyagkeverékek különösen veszélyesek. A könnyű fémek pora éghető és robbanásveszélyes.*
- k. *Mindig várja meg, hogy a szerszám teljesen leálljon, mielőtt a földre helyezi. A szerszámot eltávolíthatja, és ezért elveszíti uralmát a szerszám felett.*
- l. *Soha ne használja a szerszámot sérült kábellel. Ne érintse meg a sérült kábelt, és ne húzza ki a konnektorból, ha munka közben megsérül a kábel. A sérült kábel áramütést okozhat.*

ÁLTALÁNOS BIZTONSÁGI FIGYELMEZTETÉSEK AZ ÁLLVÁNYRA VONATKOZÓAN

- a. *Húzza ki a csatlakozót a hálózati aljzatból és/ vagy távolítsa el az akkumulátort a szerszámból, mielőtt állít a szerelvényen vagy tartozékokat cseréli. A szerszám véletlen elindítása okozza a balesetek egy részét.*
- b. *Gondosan állítsa össze a munkaállványt, mielőtt ráhelyezi a szerszámot. A megfelelő összeállítás fontos, hogy megelőzze az összedőlés veszélyét.*
- c. *A használat előtt biztonságosan rögzítse a szerszámot az állványra. A szerszám elcsúszása az állványon az irányítás elvesztését okozhatja.*
- d. *Helyezze az állványt stabil, sima és vízszintes felületre. Ha az állvány elmozdul vagy rázkódik, akkor a szerszám vagy a munkadarab nem irányítható egyetlenesen és biztonságosan.*



VISELJEN FÜLVÉDŐT (ennek elmulasztása esetén a zaj hatása a hallóképesség elvesztéséhez vezethet)



NE MUNKÁLJON MEG A BERENDEZÉSSEL AZBESZTET TARTALMAZÓ ANYAGOKAT (az azbesztnak rákkeltő hatása van)

HOZZA MEG A SZÜKSÉGES VÉDŐINTÉZKEDÉSEKET, HA A MUNKÁK SZORÁN EGÉSZSÉGGÁRSÍTÓ HATÁSÚ, ÉGHETŐ VAGY ROBBANÉKONY POROK KELETKEZHETNEK (egyres porfajták rákkeltő hatásúak); viseljen porvédő álarcot és használjon, ha hozzá lehet csatlakoztatni a berendezéshez, egy por-/forgácselzívó berendezést.

JELLEMZŐK

Modellszám MS20
Bemenet 70 W
Feszültség 220-240 V~50/60 Hz
Terheletlen sebesség 1500-2250/perc
Max. vágásmélység 18 mm
Garatmélység 250 mm
Lökethossz 8 mm
Súly 1,1 kg

Használjon teljesen letekert, 5 A terhelhetőségű, biztonságos hosszabbító kábeleket.

Mindig ellenőrizze, hogy a hálózati feszültség megegyezik-e a szerszám adattábláján jelölt feszültséggel.

ÁLTALÁNOS ⑥

A Moto-Saw egy kompakt, könnyen használható 2-in-1 kiszűrőfűrés. Egyrészlről rögzített módban használható, amikor a szerszám a talpra van szerelve, másrészlről kéziszerszámként is funkcionál. A szerszámmal precíz egyenes és ívelt vágások készíthetők különböző anyagokban, többek között puhafában, keményfában, rétegelt lemezekben, laminált lapokban, PVC-ben vagy vékony fémlemezekben a Dremel által ajánlott megfelelő tartozékokkal.

- A. Leszorítótalp kioldógomb
- B. Leszorítótalp
- C. Korlátrögzítő karral
- D. Vezetősín
- E. Talp
- F. Porkifúvó nyílás
- G. Be/Ki kapcsoló
- H. Sebességbeállító tárcsa
- I. Rögzítőbilincsek
- J. Furat állandó rögzítéshez
- K. Gyorskioldó gomb
- L. Tartozék gyorscsereelő karral

HASZNÁLAT

HÚZZA KI A CSATLAKOZÓDUGÓT A DUGASZOLÓALJZATBÓL, MIELŐTT AZ ELEKTROMOS KÉZISZERSZÁMON SZERELÉST VAGY BEÁLLÍTÁSI MUNKÁKAT VÉGEZ, ILLETVE TARTOZÉKOKAT CSERÉL. Ezzel az óvintézkedéssel megakadályozható a szerszám akaratlan elindítása.

PORELSZÍVÁS

A kéziszerszám porkifúvó nyílással rendelkezik a por elszívásához. A funkció használatához csatlakoztasson egy porszívót a porelszívó csatlakozóra.

RÖGZÍTETT MÓD

A szerszám rögzített helyzetben való használata biztosítja a szabadságot ahhoz, hogy a különböző anyagok vágásánál a munkadarabot mindkét kézzel tarthassa. Ebben a módban precízen és könnyen végezhet bármilyen barkácsolási vagy fémgyártási feladatot.

1. Győződjön meg róla, hogy a géptalp megfelelően rögzítve van egy sík felületre a mellékelt rögzítőbilincsekkel (7). A géptalp normál csavarokkal is a munkaszalathoz rögzíthető a géptalp tetején található 2 furaton keresztül.
NE üljön vagy hajoljon a géptalpra. A géptalp a vágandó anyagok megtartására készült.
2. A géptalp rögzítése után szerelje fel a szerszámot: először vezesse át a kábelt a géptalp furatán, majd kattintsa be a szerszámot a helyére (8). A szerszám rögzítése akkor megfelelő, ha a kéziszerszám és a géptalp egy vonalba esnek.
A géptalpra csak a Dremel Moto-Saw szerszámot szerelje fel. A géptalppal más elektromos kéziszerszámok nem használhatók.
3. Ha behelyezte a fűrészlapot az ábrának (9) megfelelően, a szerszám készen áll a használatra.
4. Indítsa el a gépet, és hagyja, hogy elérje a teljes fordulatszámot, mielőtt hozzérítené az anyaghoz.
NE kapcsolja be vagy ki a gépet terhelés alatt.

Nyomja le a leszorítótalpat a munkadarabra, hogy az ne mozoghasson munka közben.

A rezgés minimalizálása érdekében fogja a munkadarabot mindkét kezével a fűrészlapoz közel.

Ne nyomja túl erősen a munkadarabot a fűrészlapnak. A fűrészlap finom munkához készült. Ezért fontos, hogy a fűrészlapnak legyen ideje elvágni az anyagot. Ha túlságosan nekinyomja a munkadarabot, a fűrészlap eltérhet.

A munka elkezdése előtt végezzen néhány próbavágást hulladékanyagban.

KÉZI MÓD

A szerszám kézi módban való használata akkor javasolt, ha a munkadarab túl nagy vagy le van rögzítve, ezért nem helyezhető a gépalapra. Tipikus kéziszerszámok alkalmazás a kanyarító vágás vagy kisebb anyagok darabolása. Kézi módban a szerszám elektromos kanyarítófűrészként/ívfűrészként funkcionál.

1. Nyomja le a Gyorskioldó gombot, és vegye le a szerszámot a géptalpról (10).
2. A szerszám leszerelése után kézben tartva is használható (11). **Kézi módban való vágáskor tartsa szilárdan a szerszámot.**
3. Illesse a szerszám felületét a munkadarab alsó síkjához a rezgések csökkentése érdekében (12).

SZÉLVEZETŐ ⑬

A szélvezető a vezetősínnek bármelyikében használható. A tartozék nyomórúdként vagy élvezetőként/korlátként is használható. Nyomórúdként való használatkor nem kell rögzíteni a sínnek a korlátrögzítő karral.

A vezető különböző szögben is használható. A szög beállításához lazítsa ki a szárnyasanyát a vezetőn, és forgassa el a fejet a kívánt állásba.

A szélvezető a korlátrögzítő karral rögzíthető a helyén. Ennek használatával megakadályozható, hogy a vezető elcsússzon a sínben.

KARBANTARTÁS ÉS TISZTÍTÁS

▲ FELHASZNÁLÓ ÁLTAL NEM JAVÍTHATÓ BELSŐ ALKATRÉSZEKET TARTALMAZ. A JOGOSULATLAN SZEMÉLY ÁLTAL VÉGZETT MEGELŐZŐ KARBANTARTÁS A BELSŐ VEZETÉKEK ÉS ALKATRÉSZEK ROSSZ HELYRE TÖRTÉNŐ BEKÖTÉSÉVEL KOMOLY VESZÉLYT OKOZHAT.

A szerszámot a leghatékonyabban száraz sűrített levegővel lehet megtisztítani. **Mindig viseljen védőszemüveget, amikor a szerszámot sűrített levegővel tisztítja.**

A BALESETEK ELKERÜLÉSE ÉRDEKÉBEN TISZTÍTÁS ELŐTT MINDIG ÁRAMTALANÍTSA A SZERSZÁMOT ÉS/VAGY A TÖLTŐT

A szellőzőnyílásokat, a kapcsolókat és a karokat mindig tartsa tisztán és idegen anyagoktól mentesen. Ne próbálja meg a szerszám nyílásait hegyes tárgyakkal megtisztítani.

A EGYES TISZTÍTÓSZERKEK ÉS OLDÓSZERKEK KÁRT OKOZHATNAK A MŰANYAG ALKATRÉSZEKBEK.
Ilyenek például a következők: benzín, szén tetraklorid, klórt tartalmazó tisztító oldószerek, ammónia és ammóniát tartalmazó háztartási tisztítószerke.

SZERVIZ ÉS GARANCIA

Azt ajánljuk, hogy a szerszám javítását bizza Dremel szervizközpontra.

A Dremel termék garanciája megfelel a törvényi, illetve országspecifikus előírásoknak; a normális használatból eredő kopás és elhasználódás, túlterhelés és helytelen kezelés miatt bekövetkező károsodásokra a garancia nem terjed ki.

Panasz esetén küldje vissza a szerszámot vagy a töltőt szétszerelés nélkül a vásárlást igazoló dokumentumokkal együtt a kereskedőhöz.

A DREMEL ELÉRHETŐSÉGEI

A Dremel szerviz és garanciális információival, termékválasztékával, támogatásával és bármilyen kérdéssel kapcsolatban a www.dremel.com címen talál információt.

ZAJ ÉS REZGÉS

Zajnyomás-szint (szokásos eltérés: 3 dB) dB(A)	76,0
Hangnyomás-szint (szokásos eltérés: 3 dB) dB(A)	87,0
Rezgés (lágycél vágása) m/s ²	7,7
Rezgés (forgácslap vágása) m/s ²	8,4
Rezgési bizonytalanság K m/s ²	1,5

MEGJEGYZÉS: A feltüntetett rezgési teljes érték(ek) és a feltüntetett zajkibocsátási érték(ek) mérése szabványos teszteljárással történt, és felhasználhatók a szerszámok összehasonlítására. Kitétség előzetes elemzésére is használhatók.

A szerszám használati módjától függően a készülék rezgésének és zajkibocsátásának mértéke eltérhet a megadott legnagyobb értéktől. Az aktuális helyzetnek megfelelően becsülje meg a veszélyeztetettséget, és annak megfelelően alkalmazza a személyes védelmet (figyelembe véve a munkafolyamat minden egyes részét, például azt is, amikor még szabadon forog a szerszám a kikapcsolás után).

HASZNOSÍTÁS

A szerszámot, a tartozékokat és a csomagolást a környezetvédelmi szempontoknak megfelelően kell újrafelhasználásra előkészíteni.

CSAK AZ EU-TAGORSZÁGOK SZÁMÁRA ⑥

Az Elektromos és elektronikus hulladékokra vonatkozó 2012/19/EK sz. Európai Irányelvnek, és az adott országok

jogharmonizációjának megfelelően a már használhatatlan elektromos kéziszerszámokat elkülönítve össze kell gyűjteni, és környezetvédelmi szempontból megfelelő módon kell eltávolítani.

RO

SIMBOLURI UTILIZATE

- 1 CITIȚI ACESTE INSTRUCȚIUNI
- 2 FOLOSIȚI CĂȘTI DE PROTECȚIE
- 3 FOLOSIȚI ECHIPAMENT DE PROTECȚIE VIZUALĂ
- 4 CLASA DE CONSTRUCȚIE II
- 5 NU ARUNCAȚI SCULELE ELECTRICE ÎN GUNOIUL MENAJER

INSTRUCȚIUNI DE SIGURANȚĂ PENTRU UNELTE ELECTRICE

A ATENȚIE RESPECTAȚI TOATE AVERTISEMENTELE, INSTRUCȚIUNILE, REPREZENTĂRILE ȘI DATELE PRIMATE ÎMPREUNĂ CU SCULA ELECTRICĂ.

În cazul în care nu veți respecta următoarele instrucțiuni, se poate ajunge la electrocutare, incendii și/sau răniri grave. Păstrați instrucțiunile pentru referințe ulterioare. Termenul „unealtă electrică” din aceste instrucțiuni se referă la unealta electrică alimentată de la rețea (prin cablu de alimentare) sau la acumulatorii (fără cablu) de care dispuneți.

SIGURANȚA ZONEI DE LUCRU

- a. Păstrați zona de lucru curată și bine iluminată. Dezordinea și sectoarele de lucru neluminate pot duce la accidente.
- b. Nu lucrați cu unelte electrice în medii cu pericol de explozie, precum cele în care există lichide, gaze sau pulberi inflamabile. Unelele electrice generează scântei care pot aprinde praful sau vaporii.
- c. Nu permiteți accesul copiilor și al altor persoane în timpul utilizării uneltei electrice. Dacă vă este distrasă atenția puteți pierde controlul asupra uneltei.

SIGURANȚA ELECTRICĂ

- a. Ștecherul uneltei trebuie să fie potrivit prizei electrice. Nu este în niciun caz permisă modificarea ștecherului. Nu folosiți fișe adaptoare la unelte legate la pământ de protecție. Ștecherule nemodificate și prizele corespunzătoare diminuează riscul de electrocutare.
- b. Evitați contactul corporal cu suprafețe legate la pământ ca țevi, instalații de încălzire, sobe și frigider. Există un risc crescut de electrocutare atunci când corpul vă este legat la pământ.
- c. Feriți unelte electrice de ploaie sau umezeală. Pătrunderea apei într-o unealtă electrică mărește riscul de electrocutare.
- d. Nu trageți de cablu. Nu utilizați niciodată cablul pentru a transporta, a atârna sau a deconecta unealta electrică. Feriți cablul de căldură, ulei, muchii ascuțite sau componente aflate în mișcare. Cablurile deteriorate sau încurcate măresc riscul de electrocutare.
- e. Când lucrați cu o unealtă electrică în aer liber, utilizați un cablu prelungitor potrivit pentru lucrul în aer liber. Folosirea unui cablu prelungitor

adecvat pentru mediul exterior diminuează riscul de electrocutare.

- f. Dacă operarea unei unele electrice într-o locație umedă este inevitabilă, utilizați o sursă de alimentare protejată prin dispozitiv de curent rezidual (RCD). Folosirea unui dispozitiv de curent rezidual (RCD) reduce riscul de electrocutare.

SIGURANȚA PERSOANELOR

- a. **SUȚIȚI GRIJĂ DE CEEA CE FACEȚI ȘI PROCEDAȚI RAȚIONAL ATUNCI CÂND LUCRAȚI CU O UNEALTĂ ELECTRICĂ.** Nu folosiți unealta când sunteți obosiți sau vă aflați sub influența drogurilor, a alcoolului sau a medicamentelor. Un moment de neatenție în timpul utilizării unelei poate duce la răniri grave.
- b. **Purtați echipament personal de protecție.** Întotdeauna purtați protecție pentru ochi. Purtarea echipamentului personal de protecție, precum mască antipraf, încălțăminte de protecție antiderapantă, cască de protecție sau căști de protecție, în funcție de tipul și utilizarea unelei electrice, diminuează riscul de rănire.
- c. **Evitați o punere în funcțiune involuntară.** Înainte de a introduce ștecherul în priză, asigurați-vă că unealta electrică este oprită. Dacă atunci când transportați unealta electrică țineți degetul pe întrerupător sau dacă porniți unealta electrică înainte de a o racorda la rețeaua de curent, puteți provoca accidente.
- d. **Înainte de pornirea unelei electrice îndepărtați dispozitivele de reglare sau cheile fixe din aceasta.** Un dispozitiv sau o cheie lăsată într-o componentă a unelei electrice care se rotește poate duce la răniri.
- e. **Nu vă supraevaluați. Adoptați o poziție stabilă și mențineți-vă întotdeauna echilibrul.** Astfel veți putea controla mai bine unealta electrică în situații neașteptate.
- f. **Purtați îmbrăcăminte adecvată.** Nu purtați îmbrăcăminte largă sau bijuterii. Feriți părul, îmbrăcăminte și mânușile de piesele aflate în mișcare. Îmbrăcăminte largă, părul lung sau podoabele pot fi prinse în piesele aflate în mișcare.
- g. **Dacă pot fi montate echipamente de aspirare și colectare a prafului, asigurați-vă ca acestea sunt racordate și folosite în mod corect.** Utilizarea de echipamente pentru colectarea prafului poate reduce pericolele legate de praf.
- h. **Nu vă lăsați amăgiți de ușurința în operare dobândită în urma folosirii frecvente a sculelor electrice și nu ignorați principiile de siguranță ale acestora.** Neglijența poate provoca, într-o fracțiune de secundă, vătămări corporale grave.

UTILIZAREA ȘI MANEVRAREA ATENTĂ A UNELTELOR ELECTRICE

- a. **Nu suprasolicitați unealta electrică.** Folosiți pentru executarea lucrării dv. unealta electrică destinată aceluși scop. Cu unealta electrică potrivită lucrați mai bine și mai sigur în domeniul de putere indicat.
- b. **Nu folosiți unealta electrică dacă aceasta are întrerupătorul defect.** O unealtă electrică, care nu mai poate fi pornită sau oprită, este periculoasă și trebuie reparată.
- c. **Scoateți ștecherul din priză și/sau îndepărtați acumulatorul dacă acesta este detașabil, înainte de a executa reglaje la unealta electrică, a schimba accesoriul sau a depozita unealta electrică.** Această măsură de prevedere împiedică pornirea involuntară a unelei electrice.
- d. **Păstrați uneltele electrice nefolosite la loc inaccesibil copiilor.** Nu lăsați să lucreze cu uneltele electrice persoane care nu sunt familiarizate cu acestea sau care nu au citit aceste instrucțiuni. Nu lăsați să

lucreze cu mașina persoane care nu sunt familiarizate cu aceasta sau care nu au citit aceste instrucțiuni.

- e. **Scule electrice și accesorii principale.** Controlați dacă componentele mobile ale unelei electrice funcționează impecabil și dacă nu se blochează, sau dacă există piese rupte sau deteriorate astfel încât să afecteze funcționarea unelei. Înainte de utilizare dați la reparație piesele deteriorate. Cauza multor accidente a fost întreținerea necorespunzătoare a uneltelor electrice.
- f. **Mențineți dispozitivele de tăiere bine ascuțite și curate.** Dispozitivele de tăiere întreținute cu grijă, cu tăișuri ascuțite se înțepenesc în mai mică măsură și pot fi conduse mai ușor.
- g. **Folosiți scula electrică, accesoriile, dispozitivele de lucru etc. conform prezentelor instrucțiuni și în așa fel cum este prevăzut pentru acest tip special de unealta electrică.** Țineți cont de condițiile de lucru și de activitatea care trebuie desfășurată. Folosirea uneltelor electrice în alt scop decât pentru utilizările prevăzute, poate duce la situații periculoase.
- h. **Mânerile și zonele de prindere alunecoase nu permit manevrarea și controlul sigur al sculei electrice în situații neașteptate.** Mânerile alunecoase și apucarea acestor suprafețe nu permit manevrarea și controlul în siguranță a sculei în situații neașteptate.

SERVICE

- a. **Încredințați unealta electrică pentru reparare numai personalului de specialitate, calificat în acest scop, repararea făcându-se numai cu piese de schimb originale.** Astfel veți fi siguri că este menținută siguranța unelei.

INSTRUCȚIUNI DE SIGURANȚĂ SPECIFICE ECHIPAMENTULUI

INSTRUCȚIUNI DE SIGURANȚĂ PENTRU FERĂSTRĂUL MECANIC

- a. **Când executați o operațiune în care accesoriile de tăiere ar putea atinge cablaje mascate sau propriul cordoan de alimentare, țineți unealta electrică de suprafețele de prindere izolate.** Contactul cu un cablu aflat sub tensiune poate pune sub tensiune și componentele metalice ale unelei electrice și poate conduce la electrocutarea operatorului.
- b. **Utilizați cleme sau alte modalități practice de a asigura și a sprijini piesa de prelucrat de o platformă stabilă.** Ținerea lucrării cu mâna sau sprijinirea ei de corpul dumneavoastră determină instabilitatea acesteia și poate conduce la pierderea controlului.
- c. **Țineți mâinile în afara sectorului de debitare.** Nu apucați pe dedesubt piesa prelucrată. În caz de contact cu pânza de ferăstrău există pericol de rănire.
- d. **Aplicați scula electrică pe piesa de prelucrat numai când aceasta este conectată.** În caz contrar, există riscul de recul, dacă dispozitivul de tăiere se blochează în piesa prelucrată.
- e. **După finalizarea tăierii, deconectați scula și scoateți pânza ferăstrăului din tăietură numai după oprirea completă a unelei.** În acest mod puteți evita reculul și puteți depune scula în condiții de siguranță.
- f. **Utilizați numai pânze de ferăstrău ascuțite și lipsite de defecte.** O pânză de ferăstrău curbată sau tocită se poate rupe sau poate recula.
- g. **După deconectarea aparatului, nu încercați să opriți pânza de ferăstrău exercitând o presiune laterală asupra acesteia.** Lama ferăstrăului se poate deteriora, se poate rupe sau poate recula.

- h. Folosiți detectoare adecvate pentru a localiza conductele de alimentare ascunse sau adresați-vă în acest scop, regiei locale furnizoare de utilități. Contactul cu conductorii electrici poate duce la incendii și electrocutare. Deteriorarea unei conducte de gaz poate provoca explozii. Spargerea unei conducte de apă cauzează pagube materiale sau poate duce la electrocutare.
- i. **Fixați piesa de lucru.** O piesă de lucru fixată cu dispozitive de prindere sau într-o menghină este fixată mai sigur decât cu mâna dumneavoastră.
- j. **Păstrați curățenia la locul de muncă.** Amestecurile de materiale sunt foarte periculoase. Pulberea de metal ușor poate arde sau exploda.
- k. **Înainte de a depune jos scula, așteptați ca aceasta să se oprească complet.** Piesa inserată se poate bloca conducând la pierderea controlului asupra sculei electrice.
- l. **Nu utilizați niciodată o sculă cu cablu deteriorat.** Nu atingeți un cablu defect și nu scoateți din priză un cablu defect în timp ce lucrați. Cablurile defecte măresc riscul de electrocutare.

INSTRUCȚIUNI GENERALE DE SIGURANȚĂ PRIVIND BANCUL DE LUCRU

- a. **Înainte de a efectua orice reglaj sau de a înlocui accesoriile, deconectați scula electrică de la sursa de alimentare scoțând ștecherul din priză și/ sau bateria din sculă.** Pornirea accidentală a sculei electrice poate fi cauza unor accidente.
- b. **Asamblați în mod corect bancul de lucru, înainte de a monta scula pe acesta.** Asamblarea corespunzătoare are un rol important în prevenirea riscului de prăbușire a acestuia.
- c. **Înainte de a utiliza scula electrică, fixați-o bine pe bancul de lucru.** Mișcarea constantă a sculei electrice pe bancul de lucru poate conduce la pierderea controlului asupra acesteia.
- d. **Așezați bancul de lucru pe o suprafață solidă, netedă și orizontală.** Dacă bancul de lucru se mișcă sau se balansează, nu se asigură un control constant și sigur asupra sculei electrice sau asupra piesei de prelucrat.

⚠ PURTAȚI PROTECȚII AUDITIVE (zgomotul poate provoca pierderea auzului)

⚠ NU PRELUCRAȚI MATERIALE CARE CONȚIN AZBEST (azbestul este considerat a fi cancerigen)

⚠ LUAȚI MĂSURI DE PROTECȚIE ÎN TIMPUL LUCRULUI, PENTRU CĂ SE POATE GENERA PRAF NOCIV SĂNĂTĂȚII, COMBUSTIBIL SAU EXPLOZIV (anumite tipuri de praf sunt considerate carcinogene); purtați mască de praf și lucrați cu extracție de praf/ășchii când este posibil

SPECIFICAȚII

Număr model	MS20
Intrare	70 W
Tensiune	220-240 V~ 50/60 Hz
Turație fără sarcină	1,500-2,250/min
Adâncimea max. de tăiere	18 mm
Adâncimea șanțului	250 mm
Lungimea cursei	8 mm
Greutate	1,1 kg

Folosiți cabluri de prelungire sigure și complet desfășurate, cu o capacitate nominală de 5 A. Verificați întotdeauna dacă tensiunea de alimentare

coincide cu tensiunea indicată pe plăcuța de identificarea a unelei.

GENERAL ⑥

Motoferăstrăul este un ferăstrău de traforaj, 2-în-1, compact și foarte ușor de utilizat. Acesta poate fi utilizat fie în regim staționar, când unealta este fixată de bază, fie în regim portabil. Unealta este proiectată pentru a efectua cu exactitate tăieturi drepte și curbe în diferite materiale, inclusiv lemn de esență moale sau tare, plăci aglomerate, laminate, PVC sau folii din metale moi utilizând accesoriile aplicabile recomandate de Dremel.

- A. Buton de eliberare a piciorului de fixare
- B. Picior de fixare
- C. Dispozitiv de blocare
- D. Șină de ghidare
- E. Bază
- F. Orificiu de aspirare a prafului
- G. Comutator Pornit/Oprit
- H. Disc selector pentru viteză
- I. Cleme de fixare
- J. Orificiu pentru fixare permanentă
- K. Buton de eliberare rapidă
- L. Dispozitiv de schimbare rapidă a accesoriilor

UTILIZARE

⚠ DECONECTAȚI FIȘA DE ALIMENTARE DE LA SURSĂ ÎNAINTE DE A ASAMBLA, A REGLA SAU DE A SCHIMBA ACCESORIILE. Astfel de măsuri de siguranță preventive reduc riscul de pornire accidentală a unelei.

EXTRAGEREA PRAFULUI

Scula este prevăzută cu un orificiu pentru extragerea prafului. Pentru a folosi această caracteristică, atașați furtunul la orificiul de aspirare a prafului.

MOD STAȚIONAR

Utilizarea în regim staționar a motoferăstrăului vă conferă libertatea de a tăia diferite materiale în timp ce țineți piesa de prelucrat cu ambele mâini. În acest regim, puteți finaliza, exact și ușor, diferite hobby-uri sau proiecte de prelucrare a lemnului.

1. Asigurați-vă că baza este bine fixată de o suprafață de lucru netedă cu ajutorul clemelor furnizate ⑦. Baza poate fi fixată permanent pe bancul de lucru cu două șuruburi obișnuite introduse în cele 2 orificii aflate în partea superioară a bazei. **Nu vă așezați pe bază și nu vă sprijiniți de aceasta. Baza este proiectată pentru a susține materialele care urmează a fi tăiate.**
2. O dată baza fixată, prindeți scula de aceasta: mai întâi, treceți cablul prin orificiul bazei și apoi, prindeți pur și simplu scula la bază ⑧. Scula este fixată corect când unitatea portabilă și baza fixă sunt la același nivel. **Folosiți ferăstrăul Dremel numai dacă este fixat de bază. Celelalte scule electrice nu sunt proiectate pentru utilizare împreună cu baza.**
3. O dată ce pânza ferăstrăului a fost inserată conform ilustrației ⑨, unealta este gata de funcționare.
4. Porniți scula și lăsați-o să atingă viteza corectă înainte de a lua contact cu piesa de prelucrat. **NU aduceți întrerupătorul în poziția „ON” (Pornit) și „OFF” (Oprit) în timp ce unealta se află sub sarcină.**

Apăsați în jos piciorul de fixare pe piesa de prelucrat pentru a preveni instabilitatea pe verticală a acesteia. Pentru a reduce vibrațiile, țineți piesa de prelucrat cu ambele mâini și aproape de pânza ferăstrăului. Nu apăsați prea tare piesa de prelucrat pe pânza ferăstrăului. Aceste pânze sunt destinate efectuării unor lucrări delicate. Din acest motiv, este important ca pânza să aibă timp să taie materialele. O presiune excesivă exercitată asupra piesei de prelucrat conduce la ruperea prematură a pânzei.

Înainte de a începe să lucrați la proiect, efectuați câteva tăieri de probă pe un rest de material.

MOD PORTABIL

Utilizarea sculei în regim portabil este recomandată în cazul în care piesa de prelucrat este prea mare sau fixă și de aceea nu poate fi așezată pe bază. Exploatarea în regim tipic portabil include lucrări de decupare sau de tăiere a unor bucăți mai mici de material. În regim portabil, scula funcționează ca fierăstrău pentru decupaj/de traforaj.

1. Mențineți apăsat butonul de eliberare rapidă în timp ce detașați scula din bază ⑩.
2. După detașarea sculei, poate fi ținută în mână ⑪.
În timpul tăierii în regim portabil, asigurați-vă că aveți o priză sigură asupra sculei.
3. Încercați să aliniați suprafața sculei la partea inferioară a piesei de prelucrat pentru a reduce vibrațiile ⑫.

GHIDAJ PENTRU MUCHII ⑬

Ghidajul pentru muchii poate fi utilizat în oricare dintre șinele de ghidare.

Acest dispozitiv poate fi utilizat ca împingător sau ca ghidaj/protecție pentru muchii. Când este utilizat ca împingător, nu este necesară blocarea acestuia pe șine cu ajutorul dispozitivului de blocare.

Ghidajul poate fi utilizat sub diferite unghiuri. Pentru a regla unghiul, slăbiți șurubul fluture de pe ghidaj și rotiți capul acestuia în poziția dorită.

Ghidajul pentru muchii poate fi blocat prin rotirea dispozitivului de blocare. Prin acționarea acestuia se previne alunecarea ghidajului pe șine.

ÎNTREȚINERE ȘI CURĂȚARE

⚠ ÎN INTERIOR NU EXISTĂ COMPONENTE CARE POT FI REPARATE DE UTILIZATOR. ÎN URMA LUCRĂRILOR DE ÎNTREȚINERE PREVENTIVE EXECUTATE DE PERSOANE NEAUTORIZATE CONDUCTORII ȘI COMPONENTELE INTERIOARE ÎȘI POT SCHIMBA LOCUL, CE POATE DUCE LA ACCIDENTE SERIOASE.

Unealta electrică poate fi curățată cel mai eficient cu aer comprimat uscat. **La curățarea uneltelor cu aer comprimat, întotdeauna purtați ochelari de protecție.**

⚠ PENTRU A EVITA ACCIDENTELE, ÎNTOTDEAUNA DECUPLAȚI DE LA REȚEAUA DE ALIMENTARE UNEALTA ELECTRICĂ / ÎNCĂLCĂTORUL ÎNAINTE DE A LE CURĂȚA

Orificiile de ventilare și manetele comutatoarelor trebuie menținute curate, fără existența unor corpuri străine. Nu încercați curățarea uneltei electrice prin introducerea în orificii a unor obiecte cu vârf ascuțit.

⚠ UNII AGENȚI DE CURĂȚARE ȘI SOLVENȚII POT DETERIORA COMPONENTELE DIN MATERIAL PLASTIC. Unii dintre aceștia sunt: gazolina, tetraclorura de

carbon, solvenții de curățat cu conținut de clor, amoniacul și detergenții casnici cu conținut de amoniac.

REPARARE ȘI GARANȚIE

Recomandăm ca toate lucrările la unealta electrică să fie executate la un Centru Service Dremel. Garanția pentru acest produs Dremel este stabilită în conformitate cu reglementările legale specifice fiecărei țări; nu oferim garanție în cazul uzurilor specifice la o utilizare normală, respectiv în cazul în care unealta a fost supraîncărcată sau utilizată necorespunzător. În caz de reclamație, expedițiți furnizorului dvs. unealta nedemontată și/sau încălcătorul și dovezile achiziționării.

CONTACT DREMEL

Pentru mai multe informații despre service și garanție, sortimentele Dremel, suport și telefon suport clienți, vizitați pagina www.dremel.com.

ZGOMOT ȘI VIBRAȚIE

Nivelul presiunii sonore (deviație standard 3dB) dB(A)	76.0
Nivelul de putere acustică (deviație standard 3dB) dB(A)	87.0
Vibrație (tăiere în oțel moale) m/s ²	7,7
Vibrație (tăiere plăci aglomerate) m/s ²	8,4
Vibrație Incertitudine K m/s ²	1,5

NOTĂ: Valoarea declarată a vibrației totale și valoarea de zgomot declarată sunt măsurate în conformitate cu metoda standard de testare și pot fi folosite pentru compararea uneltelor între ele. Acestea pot fi utilizate și pentru evaluarea preliminară a expunerii.

Emisia de vibrații și zgomot în timpul utilizării efective a uneltei poate diferi de valoarea totală declarată în funcție de modul de utilizare al acesteia. Faceți o estimare a expunerii în condițiile efective de utilizare și identificați măsurile de siguranță pentru protecția personală în mod corespunzător (luând în calcul toate părțile ciclului de operare cum ar fi perioadele în care unealta este oprită și când este pornită dar nu este folosită, precum și perioadele în care este pornită dar nu este folosită pe lângă timpul de declanșare).

ELIMINARE

Scula, accesoriile și ambalajul trebuie colectate selectiv, pentru a fi reciclate conform normelor de protecție a mediului.

NUMAI PENTRU ȚĂRILE CE ⑥

Conform Directivei Europene 2012/19/CE privind deșeurile de echipamente electrice și electronice și transpunerea acesteia în legislația națională, uneltele electrice scoase din uz trebuie colectate separat și direcționate către o stație de revalorificare ecologică.

ET

KASUTATUD SÜMBOLID

- ① LUGEGE NEED JUHISED LÄBI
- ② KASUTAGE KUULMISKAITSEVAHENDEID
- ③ KASUTAGE SILMAKAITSMEID

- ④ II KLASSI KONSTRUKTSIOON
- ⑤ ÄRGE KÄIDELGE ELEKTRILISI TÖÖRIISTU KOOS OLMEJÄÄTMEGA

ELEKTRILISE TÖÖRIISTA ÜLDISED OHUTUSHOIATUSED

⚠ ETTEVAATUST JÄRGIGE KÕIKI TÖÖRIISTAGA KAASASOLEVAID HOIATUSI, JUHISEID, JOONISEID JA TEHNILISI ANDMEID.

Järgnevalt toodud juhiste eiramise tagajärjeks võib olla elektrilöökk, tulekahju ja/või rasked vigastused. **Hoidke kõik hoiatused ja juhised hilisemaks kasutamiseks alles.** Hoiatuses kasutatud termini „elektritööriist“ all peetakse silmas elektriga töötavaid (juhtmega) elektritööriistu või akuga töötavaid (juhtmata) elektritööriistu.

TÖÖPIIRKONNA OHUTUS

- Hoidke töökoht puhas ja hästi valgustatud.**
Tööpiirkonnas valitsev segadus ja töökoha ebapiisav valgustus võib põhjustada õnnetusi.
- Ärge kasutage seadet plahvatusohtlikus keskkonnas, kus leidub tuleohtlikke vedelikke, gaase või tolmu.** Elektriliste tööriistadega töötamisel võivad tekkida sädemed, mis omakorda võivad tolmuga aurud süüdata.
- Elektrilise tööriista kasutamise ajal hoidke lapsed ja teised isikud tööpiirkonnast eemal.** Kui Teie tähelepanu juhitakse kõrvale, võib seade Teie kontrolli alt väljuda.

ELEKTRIOHUTUS

- Seadme pistik peab pistikupessa sobima.** Pistikut ei tohi mingil viisil muuta. Ärge kasutage kaitsemaandusega seadmete puhul adapterpistikuid. Muutmata pistikud ja sobivad pistikupesad vähendavad elektrilöögi ohtu.
- Vältige kehakontakti maandatud pindadega, näiteks torude, radiaatorite, pliitide ja külmikutega.** Kui Teie keha on maandatud, on elektrilöögi oht suurem.
- Hoidke seadet vihma ja niiskuse eest.** Elektriseadmesse sattunud vesi suurendab elektrilöögi ohtu.
- Kasutage toitejuhet üksnes nõuetekohaselt.** Ärge kasutage toitejuhet seadme kandmiseks, ülesriputamiseks ega pistiku pistikupesast väljatõmbamiseks. Hoidke toitejuhet kuumuse, õli, teravate servade ja seadme liikuvate osade eest. Kahjustatud või keerduläinud toitejuhe suurendab elektrilöögi ohtu.
- Kui töötate elektrilise tööriistaga välistingimustes, kasutage ainult selliseid pikendusjuhtmeid, mis on ette nähtud välistingimustes kasutamiseks.** Välistingimustes kasutamiseks sobiv pikendusjuhe vähendab elektrilöögi ohtu.
- Kui elektritööriista kasutamine niiskes kohas on vältimatu, kasutage rikevoolukaitsemega kaitstud varustust.** Rikkevoolukaitse kasutamine vähendab elektrilöögi ohtu.

INIMESTE OHUTUS

- Olge tähelepanelik, jälgige oma tegevust ning tegetsege elektrilise tööriistaga töötades kaalutletult.** Ärge kasutage seadet, kui olete väsinud või uimastite, alkoholi või ravimite mõju all. Hetkeline tähelepanematus seadme kasutamisel võib põhjustada raskeid vigastusi.
- Kasutage isikukaitsevahendeid. Kandke alati kaitseprille.** Sobivate isikukaitsevahendite, näiteks

tolmumaski, libisemiskindlate turvajalatsite, kaitsekiivri või kuulmiskaitsevahendite kasutamine vähendab vigastuste ohtu.

- Vältige seadme tahtmatut käivitamist.** Enne pistiku pistikupessa ühendamist veenduge, et lüliti on väljalülitatud asendis. Kui hoiate seadme kandmisel sõrme lülilil või ühendate vooluvõrku sisselülitatud seadme, võib see põhjustada õnnetusi.
- Enne elektritööriista sisselülitamist, eemaldage selle küljest reguleerimis- ja mutrivõtmed.** Seadme pöörleva osa küljes olev reguleerimis- või mutrivõti võib põhjustada vigastusi.
- Ärge hinnake end üle. Võtke stabiilne tööasend ja hoidke kogu aeg tasakaalu.** Nii saate seadet ootamatutes olukordades paremini kontrollida.
- Kandke sobivat rõivastust.** Ärge kandke laiu riideid ega ehteid. Hoidke juuksed, rõivad ja kindad seadme liikuvatest osadest eemal. Lotendavad riided, ehted või pikad juuksed võivad sattuda seadme liikuvate osade vahele.
- Kui on võimalik paigaldada tolmueemaldus- ja tolmukogumisseadiseid/seadmeid, veenduge, et need on seadmega ühendatud ja et neid kasutatakse õigesti.** Nende seadiste/seadmete kasutamine vähendab tolmust põhjustatud ohte.
- Ärge muutuge tööriista sagedasest kasutamisest hooletuks ja ärge eirake ohutusnõudeid.** Hooletus võib sekundi murdosa jooksul kaasa tuua raskeid vigastusi.

ELEKTRILISTE TÖÖRIISTADE KÄSITSEMINE JA HOOLDAMINE

- Ärge koormake seadet üle.** Kasutage töö tegemiseks selleks ettenähtud elektrilist tööriista. Sobiva elektrilise tööriistaga töötate ettenähtud jõudluspiirides tõhusamalt ja ohutumat.
- Ärge kasutage elektrilist tööriista, mille lüliti on rikkis.** Elektriline tööriist, mida ei saa enam lülitist sisse ja välja lülitada, on ohtlik ning tuleb toimetada parandusse.
- Tõmmake pistik pistikupesast välja ja/või eemaldage seadme aku, kui see on eemaldatav, enne seadme reguleerimist, tarvikute vahetamist ja seadme ärapanekut.** See ettevaatusabinõu väldib seadme tahtmatut käivitamist. Kasutusvälisel ajal hoidke elektrilisi tööriistu lastele kättesaamatus kohas.
- Ärge lubage seadet kasutada isikutel, kes ei ole kursis seadme tööpõhimõttega ega ole tutvunud käesolevate juhistega.** Asjatundmatute kasutajate käes on elektrilise tööriista ohtlikud.
- Hooldage elektrilisi tööriistu ja tarvikuid.** Veenduge, et seadme liikuvad osad töötavad korralikult ega kiilu kinni ja et seadme osad ei ole katki või kahjustatud määral, mis võiks mõjutada seadme veatut tööd. Laske kahjustatud osad enne seadme kasutamist parandada. Elektriliste tööriistade ebapiisav hooldus on paljude õnnetuste põhjuseks.
- Hoidke löiketarvikud teravad ja puhtad.** Hästi hooldatud, teravate löikeservadega löiketarvikud kiiluvad harvemini kinni ja neid on lihtsam juhtida.
- Kasutage elektrilist tööriista, lisavarustust, tarvikuid jmt vastavalt siintoodud juhistele ning nii, nagu konkreetse mudeli jaoks ette nähtud.** Arvestage seejuures töötingimuste ja teostatava töö iseloomuga. Elektriliste tööriistade nõuetevastane kasutamine võib põhjustada ohtlike olukordi.
- Hoidke käepidemed ja haardepinnad kuiva ja puhtana ning vabana õlist ja määrdeainetest.** Libedad käepidemed ja haardepinnad ei luba tööriista ohutult käsitseta ja ootamatutes olukordades kontrolli all hoida.

HOOLDUS

- a. Lase seadet parandada ainult kvalifitseeritud spetsialistidel, kes kasutavad originaalvaruosi. Nii tagate seadme pideva ohutu töö.

SEADME OHUTUSJUHISED

TIKKSAAE OHUTUSJUHISED

- a. Hoidke seadet isoleeritud haardepindadest, kui teete toimingut, kus lõikeseade võib sattuda kokkupuutesse varjatud juhtmestiku või seadme enda toitekaabliga. *Kontakt pinge all oleva elektrijuhtmega võib seadme metallosad pingestada ja põhjustada elektrilöögi.*
- b. Kinnitage toorik kruustangidega või muul praktilisel viisil kindlale platvormile. *Kui hoiate toorikut käes või vastu keha, pole see stabiilne ja võib viia kontrolli kadumiseni.*
- c. Hoidke käed töödeldavast piirkonnast eemal. *Ärge pange sõrmi tooriku alla. Saelehega kokkupuutel võite end vigastada.*
- d. Asetage seade toorikule ainult siis, kui seade on sisse lülitatud. *Muidu tekib tagasilöögioht, kui lõiketarvik jääb toorikusse kinni.*
- e. Kui lõikamine on lõpetatud, lülitage seade välja ja tõmmake saeleht lõikest välja alles siis, kui see on täielikult seiskunud. *Sel moel väldite tagasilööke ja saate seadme turvaliselt seisata.*
- f. Kasutage ainult teravaid ja veatuid saelehti. *Paindunud või nõrid saelehed võivad murduda ja tekitada tagasilööke.*
- g. Ärge pidurdage saelehte, kui seade on välja lülitatud, seda küljega millegi vastu surudes. *Saeleht võib kahjustuda, murduda või põhjustada tagasilöögi.*
- h. Varjatult paiknevate elektrijuhtmete, gaasi- või veetoruade avastamiseks kasutage sobivaid otsimiseseadmeid või pöördega kohaliku elektri-, gaasi- või veevarustusefirma poole. *Kokkupuutel elektrijuhtmetega tekib tulekahju- ja elektrilöögioht. Gaasitorustiku vigastamisel tekib plahvatusoht. Veetorustiku vigastamine põhjustab materiaalse kahju ja võib tekitada elektrilöögi.*
- i. Kinnitage töödeldav detail. *Kinnitusseadmete või kruustangidega kinnitatud töödeldav detail püsib kindlamalt kui käega hoides.*
- j. Hoidke oma töökoht puhas. *Eriti ohtlikud on materjalisegud. Kergmetallide tolm võib süttida või plahvatada.*
- k. Oodake alati enne seadme ladustamist või käest panemist, kuni see on täielikult seiskunud. *Tööriista tööala ummistumine võib põhjustada seadme üle kontrolli kaotamise.*
- l. Ärge kunagi kasutage kahjustunud toitejuhtmega seadet. *Ärge puudutage kahjustunud toitejuhet ega tõmmake seda välja töötaval seadmel. Kahjustunud toitejuhe suurendab elektrilöögiohtu.*

TÖÖSTATIIVI ÜLDISED HOIATUSED

- a. Ühendage pistik toiteallikast lahti ja/või eemaldage tööriistast aku, enne kui reguleerite või vahetate tarvikuid. *Elektritööriista juhuslik käivitamine võib põhjustada õnnetusi.*
- b. Enne tööriista monteerimist pange tööstativ korralikult kokku. *See on oluline, et vältida lagunemise riski.*
- c. Enne kasutamist kinnitage elektritööriist kindlalt tööstativiile. *Elektritööriista nihkumine tööstativil võib põhjustada kontrolli kaotamise tööriista üle.*
- d. Paigutage tööstativ kindlale, tasasele ja horisontaalsele pinnale. *Kui tööstativ nihkub või*

kõigub, siis ei saa tööriista või töödeldavat detaili püsivalt ja turvaliselt kontrollida.

▲ KANDKE KUULMISKAITSEVAHENDIDE (müra võib kahjustada kuulmist)

▲ ÄRGE TÖÖDELGE ASBESTI SISALDAVAT MATERJALI (asbest võib tekitada vähki)

▲ RAKENDAGE KAITSEABINÖUSID, KUITÖÖTAMISEL VÕIB TEKKIDA TERVISTKAHJUSTAVAT, SÜTTIMIS- VÕI PLAHVATUSOHTLIKKU TOLMU (teatud liiki tolm võib tekitada vähki). Kandke tolmukaitsemaski ja võimaluse korral ühendage seade tolmuimejaga

TEHNILISED ANDMED

Mudeli number. MS20

Sisend. 70 W

Pinge. 220–240 V ~ 50/60 Hz

Kiirus tühikäigul. 1500–2250 p/min

Max lõikamissügavus. 18 mm

Esiosa sügavus. 250 mm

Käigupikkus. 8 mm

Kaal. 1,1 kg

Kasutage üksnes täielikult lahti keritud ja kahjustusteta 5 A kaitsmega pikendusjuhet.

Veenduge alati, et pinge ühtib seadme andmesildil märgitud pingega.

JOONIS ⑥

Moto-Saw on kompaktne ja väga lihtsalt kasutatav kaks-ühes tikksaag. Seda saab kasutada stationaarses režiimis, kus seade paikneb oma alusel või käeshoidmise režiimis. Tööriist on ette nähtud täpsete sirgjooneliste ja kaarlõigete tegemiseks erinevates materjalides, kaasa arvatud okaspuupuit, lehtpuupuit, komposiitplaadid, laminaatplaadid, PVC või plekk, kasutades Dremeli soovitatud lisatarvikuid.

- A. Talla vabastamisnupp
- B. Tald
- C. Kaitsevõre hoob
- D. Juhik
- E. Alus
- F. Tolmuava
- G. Sisse-/väljalülitamise lüliti
- H. Pöörderegulaator
- I. Pitskruvid
- J. Stationaarne kinnitamisava
- K. Kiirvabastusnupp
- L. Tarviku kiirvahetusmehhanismi hoob

KÄSITSEMINE

▲ ENNE SEADME MONTAŽI, REGULEERIMIST VÕI TARVIKUTE VAHETAMIST, TÕMMAKE SEADME TOITEPISTIK PISTIKUPESAST VÄLJA. Sellised ennetavad ohutusmeetmed vähendavad tööriista juhusliku käivitamise riski.

TOLMU EEMALDAMINE

Tööriista on tolm eemaldamiseks tolmuava. Selle funktsiooni kasutamiseks kinnitage tolmuimeja voolik tolmuava külge.

STATSIONAARNE REŽIIM

Tööriista kasutamine statsionaarses režiimis võimaldab teil lõigata erinevaid materjale, kasutades tooriku hoidmiseks mõlemat kätt. Selles režiimis saate teha erinevaid lõikamisprotseduure täpselt ja lihtsalt.

1. Veenduge, et alus on kinnitatud turvaliselt ühtlasele tööpinnale ja et kasutatakse kaasasolevaid pitskruiisid ⑦. Aluse võib püsivalt kinnitada töölaua külge tavaliste kruvidega, kasutades kahte aluse ülaoasas olevat 2 ava. **Ärge istuge ega nõjatuge aluse peale. Alus on mõeldud lõigatavate materjalide toetamiseks.**
2. Kui alus on kinnitatud, asetage tööriist selle peale: esmalt viige toitejuhe läbi aluse ava ja seejärel lihtsalt kinnitage seade klõpsatusega aluse külge ⑧. Tööriist on turvaliselt kinnitatud, kui käeshoitav osa ja statsionaarne alus on samal tasapinnal. **Kasutage ainult Dremeli Moto-Saw tikksae alust. See alus ei ole ette nähtud kasutamiseks koos teiste seadmetega.**
3. Kui saeleht on sisestatud joonise ⑨ järgi, on tööriist kasutamiskvalifitseeritud.
4. Käivitage tööriist ja laske sellel enne toorikuga kokkupuutumist saavutada õige kiirus. **Ärge lülitage seadet sisse ega välja, kui tööriist on toorikuga koormatud.**

Vajutage tallanup all, tooriku kohale, et vältida selle paigastrikkumist.

Vibratsiooni vähendamiseks hoidke toorikut kahe käega saelehe lähedal.

Ärge lükake toorikut saelehtede vastu liiga tugevalt. Saelehed on ette nähtud tundlikuks kasutamiseks. Seetõttu on oluline, et saelehel oleks aega materjali lõikamiseks. Ligne surve toorikule põhjustab saelehe varajase kulumise. **Enne töö kallale asumist, tehke praakmaterjalil harjutamiseks mõned lõiked.**

KÄESHOIDMISE REŽIIM

Tööriista kasutamine käeshoidmise režiimis on soovitatav, kui toorik on liiga suur või fikseeritud ja seda ei ole võimalik alusele paigutada. Tavapärase käeshoidmise rakendus hõlmab lõikeldamist või materjalist väiksemate tükkide lõikamist. Käeshoidmise režiimis toimib tööriist mootoriga kaarilõike-/jõhvsaeana.

1. Hoidke kiirvabastamisnuppu all, kui eemaldate tööriista aluse küljest ⑩.
2. Kui seade on eraldatud, võite tööriista hoida käes ⑪. **Käeshoidmise režiimis lõigates veenduge, et hoiate tööriistast tugevalt kinni.**
3. Vibratsiooni vähendamiseks proovige hoida seadme taldad vastu tooriku pinda ⑫.

SERVAJUHIK ⑬

Servajuhikut saab kasutada mõlema juhiku juures.

Seda kinnitatavat tarvikut saab kasutada

lõikamisvahendina või äärejuhiku/piirdena.

Lõikamisvahendina kasutades ei ole vajadust seda kaitsevõre hoovaga juhikutele lukustada.

Juhikut saab kasutada erinevate nurkade all. Nurga reguleerimiseks keerake juhiku kinnituskruvi lahti ja keerake alus soovitud asendisse.

Äärejuhiku saab oma kohale lukustada, kui keerata kaitsevõre hooba. Selle kasutamine välistab juhiku libisemist juhiku soones.

HOOLDUS JA PUHASTAMINE

⚠ EI SISALDA OSI, MIDA KASUTAJA VÕIKS HOOLDADA. VOLITAMATA ISIKUTE POOLT

OSKAMATULT TEOSTATUD ENNETAVAD HOOLDUSTÖÖD VÕIVAD PÕHJUSTADA SEADME JUHTMESTIKU JA KOMPONENTIDE VÄÄRTALITLUST JA TEKITADA TÕSISEID OHUOLUKORDI.

Kõige tõhusamaks puhastusmeetodiks on kuiva suruõhu kasutamine. **Suruõhuga seadet puhastades kandke alati kaitsepiile.**

⚠ ÕNNETUSE VÄLTIMISEKS EEMALDAGE ALATI ENNE PUHASTAMIST TÕÖRIISTA PISTIK PISTIKUPESAST

Ventilatsioonivavad ja lülitushoovad tuleb hoida puhastena ja vööriistade vahel. Ärge sisestage tööriista puhastamiseks selle avadesse teravaotsalisi esemeid.

⚠ TEATUD PUHASTUSVAHENDID JA LAHUSTID KAHJUSTAVAD PLASTOSI. Sellised vahendid on näiteks: bensiin, süsinik tetrakloriid, klooritud puhastuslahused, ammoniaak ja kodumajapidamises kasutatavad puhastusvahendid, mis sisaldavad ammoniaaki.

HOOLDUS JA GARANTII

Hooldustööde teostamiseks on soovitatav pöörduda Dremeli teeninduskeskusesse.

Dremeli toodetega kaasnev garantii on kooskõlas seadusjärgselt omavate / vastavas riigis kehtivate asjakohaste määrustega; garantii ei kata normaalset füüsilist kulumist ega kahjustusi, mis on tingitud ülekoormusest või seadme sobimatul viisil kasutamisest. Kaebuste korral saatke lahtimonteerimata tööriist ja/või laadimisvahend koos ostukviitungiga edasimüüjale.

DREMELI KONTAKTANDMED

Lisateavet teeninduse ja garantii, Dremeli tootevaliku, tugiteenuste ning infoliini kohta leiate www.dremel.com.

MÜRA JA VIBRATSIOON

Helivõimsuse tase (standardhälve 3 dB) dB(A)	76,0
Helirõhu tase (standardhälve 3 dB) dB(A)	87,0
Vibratsioon (kergeterale lõikamine) m/s ²	7,7
Vibratsioon (puitlaastplaadi lõikamine) m/s ²	8,4
Vibratsioon Umbkaudu K m/s ²	1,5

MÄRKUS: Vibratsiooni deklareeritud koguväärtust ja deklareeritud mürataseme väärtust on mõõdetud vastavalt standardsele katsemeetodile ja seda võib kasutada ühe tööriista võrdlemisel teisega. Neid võib kasutada ka kokkupuute eelhindamisel.

Vibratsiooni ja mürataseme emissioon seadme kasutamisel võib erineda deklareeritud koguväärtusest, olenevalt sellest, millisel viisil tööriista kasutatakse. Hinnake ligikaudselt vibratsiooniga kokkupuute aega tegelikes kasutustingimustes ja määrake kindlaks sobivad ohutusmeetmed isiklikuks kaitseks (võttes arvesse kõiki töötajate etappe nagu nt aega, mil tööriist on välja lülitatud ja aega, mil see töötab tühjalt lisaks käivitusaajale)

UTILISEERIMINE

Tööriist, lisatarvikud ja pakend tuleb sortida ning suunata keskkonnasõbralikule ümbertöötlemisele.

ÜKSNES ELI LIIKMESRIIKIDELE ⑥

Vastavalt Euroopa Parlamendi ja nõukogu direktiivile

2012/19/EŪ elektrų- ir elektronikaesedmete jėatmete kohta ning selle ūlevōtmisele liikmesriikide ūgussesse teub kasutusressursi ammendanud elektrilised tōōriistad eraldi kokku koguda ja keskkonnasāastilikult ringlusse vōtta.

LT

NAUDOJAMI SIMBOLIAI

- ① PERSKAITYKITE ŠIAS INSTRUKCIJAS
- ② DĖVĖKITE APSAUGĄ AUSIMS
- ③ DĖVĖKITE AKIŲ APSAUGOS PRIEMONES
- ④ II KLASĖS KONSTRUKCIJA
- ⑤ ELEKTRINIŲ ĮRANKIŲ NEIŠMESKITE KARTU SU BUITINĖMIS ŠIUOKŠLĖMIS

BENDRIEJI ELEKTRINIO ĮRANKIO SAUGOS PERSPĖJIMAI

▲ ĮSPĖJIMAS GRIEŽTAI LAIKYTI VISŲ ĮSPĖJAMŲJŲ NUORODŲ, TAISYKLIŲ, ŽENKLŲ IR UŽRAŠŲ, KURIE YRA PATEIKIAMI SU ŠIUO PRIETAISU, REIKALAVIMŲ.

Jei nepaisysite toliau pateiktų nuorodų, gali kilti elektros smūgio, gaisro ir (arba) sunkių sužalojimų pavojus.

Visus perspėjimus ir instrukcijas išsaugokite ateičiai. Terminas „elektrinis įrankis“ visuose toliau pateiktuose perspėjimuose reiškia maitinamą iš elektros tinklo (laidinį) arba akumuliatoriaus (beleidį) elektrinį įrankį.

DARBO VIETOS SAUGA

- a. Darbo sritis turi būti švari ir gerai apšviesta. *Netvarkingose ir neapšviestose vietose gali įvykti nelaimingas atsitikimas.*
- b. Elektrinių įrankių nenaudokite sprogoje aplinkoje, pavyzdžiui, vietoje, kurioje yra degių skysčių, dujų arba dulkių. *Naudojant elektrinius įrankius, jie kibirkščiuoja, todėl dulkės arba susikaupę garai gali užsiliepsnoti.*
- c. Neleiskite vaikams ir pašaliniams asmenims artintis prie elektrinio įrankio. *Jeigu jūsų dėmesys bus blaškomas, galite nebesuvaldyti įrankio.*

ELEKTROS SAUGA

- a. Elektrinio įrankio kištukai turi atitikti elektros lizdą. *Draudžiama bet koku būdu keisti kištuką. Dirbdami su žemintais elektriniais įrankiais nenaudokite kištukų adapterių. Elektros smūgio tikimybę sumažinsite naudodami nepakeistus kištukus ir juos atitinkančius lizdus.*
- b. Stenkitės neprisiliesti prie žemintų paviršių, pavyzdžiui, vamzdžių, radiatorių, viryklių ar šaldytuvų. *Jeigu jūsų kūnas bus žemintas, elektros smūgio tikimybė bus didesnė.*
- c. Saugokite elektrinius įrankius nuo lietaus ir drėgmės. *Jeigu į elektrinį įrankį pateks vandens, padidės elektros smūgio tikimybė.*
- d. Nenaudokite laido ne pagal paskirtį. Jokių būdu elektrinio įrankio neneškite, netempkite ir netraukite iš lizdo už laido. *Laidą saugokite nuo karščio, alyvos, aštrių briaunų ar judančių dalių. Elektros smūgio tikimybė padidėja, jei naudojamas pažeistas arba susipainiojęs laidas.*
- e. Kai dirbate su elektriniu įrankiu lauke, naudokite ilginamąjį laidą, tinkamą naudoti lauko sąlygomis.

Kai naudojamas darbu lauke skirtas laidas, sumažėja elektros smūgio tikimybė.

- f. Jei elektrinį įrankį reikia naudoti drėgnoje vietoje, naudokite liekamosios srovės įtaisų (RCD) apsaugotą srovės šaltinį. *Naudojant liekamosios srovės įtaisą, sumažėja elektros smūgio pavojus.*

ŽMONIŲ SAUGA

- a. Naudodami elektrinį įrankį būkite budrūs, stebėkite, ką darote, ir vadovaukitės sveiku protu. Elektrinio įrankio nenaudokite, jeigu esate pavargę, apsaugę nuo narkotikų, alkoholio ar vaistų. *Tereikia tik akimirnai nukreipti dėmesį dirbant su elektriniais įrankiais ir galite sunkiai susižeisti.*
- b. Naudokite saugos priemones. *Būtinai užsidėkite akių apsaugą. Tokios saugos priemonės kaip kaukė nuo dulkių, batai neslidžiais padais, apsauginis šalmas ar klausos apsaugos priemonės, naudojamos atitinkamomis sąlygomis, sumažins traumų tikimybę.*
- c. Saugokitės, kad neįjungtumėte prietaiso netyčia. *Prieš įjungdami į lizdą ir (arba) prie baterijos, prieš pakeldami arba pernešdami prietaisą patikrinkite, ar jungiklis yra padėtyje „off“. Jeigu elektrinį įrankį nešite ant jungiklio uždėję pirštą arba bandysite įrankį prijungti prie elektros tinklo, kai jungiklis yra padėtyje „on“, galite susižeisti.*
- d. Prieš įjungdami elektrinį įrankį, nuimkite visus reguliavimo raktus ir veržliaraktčius. *Jeigu ant besisukančios elektrinio įrankio dalies bus paliktas uždėtas veržliaraktis arba raktas, galite susižeisti.*
- e. Nebandykite pasiekti sunkiai pasiekiamų vietų. *Visada stovėkite tvirtai ir išlaikykite pusiausvyrą. Taip galėsite geriau suvaldyti įrankį nenumatytose situacijose.*
- f. Vilkėkite tinkamą aprangą. *Nevilkėkite plačių drabužių ir papuošalų. Saugokitės, kad judančios dalys neprisiliestų prie plaukų, drabužių ar pirštinių. Plačius drabužius, papuošalus ar ilgus plaukus gali įtraukti besisukančios dalys.*
- g. Jei yra numatyta galimybė prijungti dulkių nusiurbimo ar surinkimo įrenginius, visada įsitikinkite, kad jie yra prijungti ir kad tinkamai naudojami. *Naudojant dulkių nusiurbimą sumažėja dulkių keliamas pavojus.*
- h. Dažnai naudodami įrankį ir gerai su juo susipažinę pernelyg neatsipalaiduokite ir nepradėkite nepaisyti įrankio saugos principų. *Neatidus veiksmas gali sukelti sunkią traumą per sekundės dalį.*

ELEKTRINIO ĮRANKIO NAUDOJIMAS IR PRIEŽIŪRA

- a. Neperkraukite prietaiso. *Naudokite jūsų darbu tinkamą elektrinį įrankį. Su tinkamu elektriniu įrankiu darbą atlikite geriau ir saugiau, jei naudosite jį gamintojo numatytoje galios diapazone.*
- b. Elektrinio įrankio nenaudokite, jei neveikia jungiklis. *Bet kuris elektrinis įrankis, kurio negalima valdyti jungikliu, yra pavojingas ir jį būtina remontuoti.*
- c. Prieš reguliuodami prietaisą, keisdami darbo įrankius ar prieš valydamį prietaisą, iš elektros tinklo lizdo ištraukite kištuką ir (arba) išimkite akumuliatorių (jei jį galima atjungti). *Šios prevencinės saugos priemonės sumažina netyčinio elektrinio įrankio įjungimo riziką.*
- d. Nenaudojamus elektrinius įrankius laikykite vaikams nepasiekiamoje vietoje, taip pat neleiskite asmenims, nemokantiems dirbti su elektriniu įrankiu arba nesusipažinusiems su šiomis instrukcijomis, naudoti elektriniu įrankiu. *Elektriniai įrankiai yra pavojingi, kai juos naudoja neapmokyti asmenys.*
- e. Prižiūrėkite elektrinius įrankius ir priedus. *Patikrinkite, ar judančios dalys nepasislinkusios*

arba neįstrigusios, ar nėra sulūžusių dalių ar kitų gedimų, kurie gali turėti įtakos elektrinio įrankio veikimui. Pastebėję gedimų, elektrinį įrankį sutvarkykite prieš naudodami. Daugybė nelaimingų atsitikimų įvyksta dėl netvarkingų elektrinių įrankių.

- f. Pjovimui skirti įrankiai turi būti aštrūs ir švarūs. Jeigu pjovimo įrankiai su aštriomis pjaunamosiomis briaunomis tinkamai prižiūrimi, jie rečiau stringa ir juos lengviau valdyti.
- g. Elektrinį įrankį, jo priedus, dalis ir pan. naudokite laikydamiesi šių instrukcijų ir pagal konkrečiam elektriniam įrankiui numatytą paskirtį, atsižvelgdami į darbo sąlygas ir atliekamą darbą. Jeigu elektrinis įrankis naudojamas ne pagal paskirtį, gali susidaryti pavojinga situacija.
- h. Rankenos ir suėmimo paviršiai turi būti sausi, švarūs, ant jų neturi būti alyvos ir tepalų. Dėl slidžių rankenos ir suėmimo paviršių negalėsite saugiai išlaikyti ir suvaldyti įrankio netikėtose situacijose.

TECHNINIS APTARNAVIMAS

- a. Jūsų elektrinio įrankio techninę priežiūrą atlikti turi kvalifikuotas asmuo, naudodamas tik identišką atsarginės dalis. Taip galima garantuoti, jog elektrinis įrankis išliks saugus naudoti.

ĮRANKIO NAUDOJIMUI TAIKOMOS SAUGUMO PASTABOS

ĮSPĖJAMIEJI PRANEŠIMAI DĖL PJŪKLELIŲ

- a. Dirbdami aplinkoje, kur pjūklelis gali kliudyti sienoje paslėptą laidą ar paties įrankio maitinimo laidą, prietaisą laikykite už izoliuotų paviršių. Palietus laidą, kuriuo teka elektros srovė, metalinėse elektrinio įrankio dalyse gali atsirasti įtampa ir nutrenkti elektros smūgis.
- b. Ruošinį prie stabilios platformos tvirtinkite gnybtais arba kitomis praktiškoms priemonėmis. Ruošinį laikant rankomis arba įrėmus į kūną, jis bus nestabilus ir sunkiai suvaldomas.
- c. Nelaikykite rankų arti pjovimo zonos. Nekiškite rankų po ruošiniu. Dėl kontakto su pjūkleliu kyla pavojus susižeisti.
- d. Elektrinį įrankį prie darbinio ruošinio pridėkite tik įjungta. Kitu atveju pjūkleliui įstrigus darbiniam ruošinyje kyla atatranks pavojus.
- e. Baigę pjauti, išjunkite įrankį, o pjūklelį iš įpjauto ruošinio ištraukite tik visiškai jam sustojus. Tokiu būdu apsisaugosite nuo galimos atatranks ir įrankį galėsite saugiai padėti.
- f. Naudokite tik aštrius ir nepažeistus pjūklelius. Sulenkti arba atšipę pjūkleliai gali sulūžti arba sukelti atatranks smūgį.
- g. Išjungę įrankį nebandykite pjūklelio sustabdyti, naudodami šoninį spaudimą į pjūklelį. Pjūklelis gali pažeistas, sulūžti arba sukelti atatranks smūgį.
- h. Prieš pradėdami darbą, tinkamais išskikliais patikrinkite, ar po norimais apdirbti paviršiais nėra pravesių elektros laidų, dujų ar vandentiekio vamzdžių. Jei abejojate, galite pasikviesti į pagalbą vietinius komunalinių paslaugų teikėjus. Kontaktas su elektros laidais gali sukelti gaisro bei elektros smūgio pavojų. Pažeidus dujotiekio vamzdį, gali įvykti sprogdimas. Pažeidus vandentiekio vamzdį, galima padaryti daugybę nuostolių.
- i. Įtvirtinkite darbinį ruošinį. Veržimo įranga arba spauštuvais įtvirtintas darbinis ruošinys yra užfiksuojamas žymiai patikimiau nei laikant ruošinį ranka.
- j. Visuomet valykite darbo vietą. Medžiagų mišiniai yra

ypač pavojingi. Spalvotųjų metalų dulksės gali užsidegti arba sprogti.

- k. Prieš padėdami elektrinį įrankį visuomet palaukite, kol jis visiškai sustos. Įrankio įdėtinis priedas gali užstrigti ir jūs galite prarasti elektrinio įrankio kontrolę.
- l. Niekada nenaudokite įrenginio su pažeistu elektros laidu. Nelieskite pažeisto elektros maitinimo laido, darbo metu pažeidę laidą, ištraukite maitinimo laido kištuką iš elektros maitinimo tinklo. Pažeistas laidas padidina elektros smūgio pavojų.

BENDRIEJI ĮSPĖJIMAI DĖL DARBO SU DARBINIŲ STOVŲ

- a. Ištraukite kištuką iš maitinimo lizdo ir (arba) akumuliatorių atjunkite nuo elektrinio įrankio, tik po to reguliuokite arba keiskite priedus. Jei įrankis pasileistų atsitiktinai, gali įvykti nelaimingas atsitikimas.
- b. Tinkamai sumontuokite darbinį stovą ir tik tada pritvirtinkite įrankį. Tinkamas sumontavimas yra svarbus siekiant apsisaugoti nuo sugriuvimo.
- c. Tvirtai pritvirtinkite elektrinį įrankį prie darbinio stovo ir tik tada naudokitės įrankiu. Darbo metu elektriniam įrankiui pasislinkus, įrankio galite nesuvaldyti.
- d. Pastatykite darbinį stovą ant tvirtu, plokščio ir lygaus paviršiaus. Jei darbo metu darbinis stovas judės arba kilnosis, elektrinis įrankis ir ruošinys bus nestabilūs ir kels pavojų.

⚠ NAUDOKITE KLAUSOS APSAUGOS PRIEMONES (dėl triukšmo poveikio galima prarasti klausą)

⚠ NEDIRBKITE SU MEDŽIAGOMIS, KURIŲ SUDĖTYJE YRA ASBESTO (asbestas laikomas kancerogeninė medžiaga)

⚠ IMKITĖS ATSARGUMO PRIEMONIŲ, KAI DARBO METU GALI SUSIDARYTI SVEIKATAI KENKSMINGŲ, LENGVAI UŽSIDEGANČIŲ AR SPROGIŲ DULKIŲ (kai kurios dulksės laikomos kancerogeniškoms); dėvėkite kaukę nuo dulkių ir, jeigu galima prijungti, naudokite dulkių / pjuvenų ištraukimo įrangą.

TECHNINIAI DUOMENYS

Modelio numeris MS20
Įvadas 70 W
Įtampa 220–240 V, 50–60 Hz
Greitis be apkrovos 1 500-2 250 per 1 min.
Maks. pjovimo gylis 18 mm
Angos gylis 250 mm
Eiga 8 mm
Svoris 1,1 kg

Naudokite visiškai išvyniotus ir saugius ilginamuosius laidus, skirtus 5 A stiprumo srovei. Visada patikrinkite, ar maitinimo įtampa atitinka įtampos parametrus, nurodytus įrankio vardinėje lentelėje.

BENDROJI INFORMACIJA ⑥

„Moto-Saw“, tai kompaktiškas ir itin paprastai naudojamas pjaustymo įrankis, du viename. Šį įrankį galima naudoti stacionariai, įtvirtinus jį prie pagrindo, arba laikant rankoje. Šis įrankis skirtas tiksliam tiesių ir vingiuotų linijų pjovimui skirtingose medžiagose, įskaitant minkštą medieną, kietą medieną, kompozicines plokštes, laminatą, PVC arba minkštą lakštinį metalą, jei naudojami tinkami ir „Dremel“ rekomenduojami priedai.

- A. Prispaudžiamos kojelės nuleidimo mygtukas
- B. Prispaudžiama kojelė
- C. Tvirtinimo svirtis
- D. Kreipiantysis bėgelis
- E. Pagrindas
- F. Dulkių anga
- G. Įjungimo / išjungimo jungiklis
- H. Greičio regulatorius
- I. Tvirtinantys veržtuvai
- J. Kiaurymė ilgalaikiam tvirtinimui
- K. Greito nuėmimo mygtukas
- L. Svirtis greitam priedo keitimui

NAUDOJIMAS

▲ PRIEŠ MONTUOJANT, REGULIUOJANT AR KEIČIANT PRIEDUS, VISADA REIKIA ATJUNGTI NUO MAITINIMO ŠALTINIO. *Tokios prevencinės saugos priemonės sumažina atsitiktinio prietaiso įjungimo riziką.*

DULKIŲ IŠSIURBIMAS

Įrankyje yra paruošta dulkių išsiurbimo anga. Norėdami naudotis šia funkcija, pritvirtinkite dulkių siurblio žarną prie dulkių siurblio jungties.

STACIONARUS REŽIMAS

Įrankį naudojant stacionariai, jums suteikiama galimybė įvairių medžiagų ruošinius pjauti laikant juos abejomis rankomis. Naudodami stacionarų režimą, galite tiksliai ir lengvai atlikti įvairius medienos ar kitų medžiagų pjovimo darbus.

1. Užtikrinkite, kad pagrindas, naudojant tiekiamus veržtuvus, būtų saugiai pritvirtintas prie plokščio paviršiaus (7). Ilgesniam laikui pagrindą prie paviršiaus galima pritvirtinti standartiniais varžtais, įstatant juos į pagrindą viršuje esančias 2 kiaurymes. **Nesisėskite ant pagrindo ir nesiremkite į jį. Pagrindas skirtas tik pjaunamos medžiagos atramai.**
2. Pritvirtinus pagrindą sumontuokite jame įrankį: pirmiausia per pagrindą esančią kiaurymę praveskite elektros laidą, tada paprasčiausiai įstatykite įrankį, kad šis užsifiksuotų (8). Įrankis yra saugiai sumontuotas, kai įrankio plokštuma ir pagrindo paviršius yra viename lygyje. **Į pjūklą pagrindą montuokite tik „Dremel Moto-Saw“ pjūklą. Šis pagrindas nėra skirtas kitų prietaisų montavimui.**
3. Pjūklą sumontavus taip, kaip parodyta (9), įrankis yra paruoštas darbui.
4. Įjunkite elektrinį prietaisą ir palaukite, kol pjūklelis pasieks reikiamą greitį, tik tada leiskite pjūkleliui prisiliesti prie darbinio ruošinio. **Nejunkite įjungimo-išjungimo jungiklio, kai pjūklelis liečiasi prie darbinio ruošinio.**

Nuleiskite prispaudžiančią kojelę taip, kad šį prispautų darbinį ruošinį ir neleistų jam judėti į viršų ir žemyn. Siekdami sumažinti virpesius, laikykite ruošinį abejomis rankomis, arti pjūklelio. Nespauskite darbinio ruošinio per stipriai. Pjūkleliai skirti subtiliam darbui. Pjaunant būtina neskubėti ir suteikti pakankamai laiko medžiagos pjovimui. Stipriau spaudžiant darbinį ruošinį greičiau susidėvi pjūkleliai. **Prieš pradėdami darbą su ruošiniu, išbandykite pjaunamą medžiagą naudodami nereikalingus arba sugadintus medžiagos pavyzdžius.**

RANKINIS REŽIMAS

Rankinį režimą rekomenduojama naudoti tik tais atvejais, kai darbinis ruošinys yra per didelis arba kur nors įtvirtintas

ir todėl negali būti pritvirtintas prie pagrindo. Įprastai rankinis pjovimo režimas naudojamas norint ką nors perpjauti arba nupjauti mažesnę medžiagos dalį. Naudojant rankinį režimą, įrankis veikia kaip radialinis pjūklas / oblius.

1. Spauskite greito nuėmimo mygtuką, atkibindami įrankį nuo jo pagrindo (10).
2. Nuėmę įrankį nuo pagrindo, galite jį naudoti laikydami rankoje (11). **Dirbdami rankiniu režimu, visada tvirtai laikykite elektros įrankį.**
3. Stenkitės, kad darbinio ruošinio dugnas atsiremtų į įrankio plokštumą, taip sumažinsite virpesius (12).

KRAŠTO KREIPTUVAS (13)

Krašto kreiptuvą galima naudoti bet kuriame kreipiančiame bėgelyje.

Šis priedas gali būti naudojamas ruošinio stūmimui arba ruošinio krašto nukreipimui / sulaikymui. Prieda naudojant ruošinio stūmimui, jo tvirtinti su tvirtinimo svirtimi kreipiančiame bėgelyje nereikia.

Kreiptuvą galima naudoti pasuką įvairiu kampu. Norėdami pakeisti kreiptuvo kampą, atlaisvinkite kreiptuvo veržlę ir pasukite galvą į norimą padėtį.

Krašto kreiptuvą galima įtvirtinti pasukus tvirtinimo svirtį. Tai neleis kreiptuvui nuslysti į kreipiantįjį bėgelį.

PRIEŽIŪRA IR VALYMAS

▲ VIDUJE NĖRA NAUDOTOJO TAIŠOMŲ DALIŲ. JEI ĮRANKIS BUS TAIŠOMAS PATIES NAUDOTOJO, O NE KVALIFIKUOTO DARBUOTOJO, GALI BŪTI PAŽEISTI VIDINIAI LAIDAI IR KOMPONENTAI, DĖL TO ŽMOGUS GALI RIMTAI SUSIŽEISTI.

Įrankį efektyviausia valyti suspaustu sausu oru. **Valydami įrankį suspaustu sausu oru visuomet dėvėkite apsauginius akinius.**

▲ KAD IŠVENGTUMĖTE NELAIMINGO ATSITIKIMO, VISUOMET ATJUNKITE ĮRANKĮ IR (ARBA) ĮKROVIKLĮ NUO MAITINIMO ŠALTINIO IR TIK TADA JĮ VALYKITE

Vėdinimo angos ir jungiklio svirtelės turi būti švarios ir neapkibusios jokiais medžiagomis. Nebandykite valyti įrankio per angas kišdami įvairius aštirus daiktus.

▲ KAI KURIE VALYMO SKYSČIAI IR TIRPIKLIAI PAŽEIDŽIA PLASTIKINES DALIS. *Prie tokių priemonių priskiriamas dyzelinas, anglies tetrachloridas, chloro tirpikliai, amoniakas ir buitiniai skysčiai su amoniaku.*

APTARNAVIMAS IR GARANTIJA

Rekomenduojame įrankį perduoti remontuoti „Dremel“ aptarnavimo centrui.

Šiam Dremel gaminiui suteikiama garantija atitinka šalyje galiojančius įstatymus/reikalavimus; Garantija netaikoma gedimams, atsiradusiems dėl įrenginio natūralaus susidėvėjimo, taip pat dėl perkrovų arba jo netinkamo naudojimo.

Teikdami skundą, siųskite neišardytą įrankį ir (arba) įkroviklį su pirmąjį patvirtinančiu dokumentu gamintojo atstovui.

SUSISIEKITE SU DREMEL

Norėdami gauti daugiau informacijos apie techninę priežiūrą ir garantiją, „Dremel“ produktų asortimentą, pagalbą ir skubios pagalbos liniją, prisilankykite tinklalapyje www.dremel.com.

TRIUŠMAS IR VIBRACIJA

Garso slėgio lygis (standartinis nuokrypis 3 dB) dB(A)	76,0
Garso galios lygis (standartinis nuokrypis 3 dB) dB(A)	87,0
Vibracija (mažaanglio plieno pjovimas) m/s ²	7,7
Vibracija (medienos drožlių plokštės pjovimas) m/s ²	8,4
Vibracijos neapibrėžtis K m/s ²	1,5

PASTABA: Deklaruojama (-os) suminė vibracijos vertė (-ės) ir deklaruojama (-os) triukšmo vertė (-ės) buvo išmatuota (-os) standartiniu bandymų metodu, todėl ją galima remtis lyginant vieną įrankį su kitu. Jomis taip pat galima naudotis atliekant preliminarųjį poveikio vertinimą.

Naudojant elektrinį įrankį susidaranti vibracija ir triukšmas gali skirtis nuo bendrojo deklaruojamo vibracijos ir triukšmo dydžio priklausomai nuo to, kokiu būdu naudojate įrankį. Įvertinkite vibracijos dozę konkrečiu atveju ir parinkite atitinkamas asmens apsaugos priemones atsižvelgdami į visas darbo ciklo dalis, tame tarpe ir į laiką, per kurį prietaisas buvo išjungtas arba veikė tuščiaja eiga.

UTILIZAVIMAS

Prietaisas, jo priedai ir pakuotė turi būti išrūšiuojami ir atiduodami ekologiškai perdirbti.

TIK ES VALSTYBĖMS NARĖMS ⑥

Remiantis ES direktyva 2012/19/EB dėl elektros ir elektroninės įrangos atliekų ir jos perkėlimu į nacionalinę teisę, nebetinkami naudoti elektriniai įrankiai turi būti surenkami atskirai ir utilizuojami aplinkai nekenksmingu būdu.

SL

UPORABLJENI SIMBOLI

- ① PREBERITE TA NAVODILA
- ② UPORABITE GLUŠNIKE
- ③ UPORABLJAJTE ZAŠČITO ZA OČI
- ④ KONSTRUKCIJA RAZREDA II
- ⑤ ELEKTRIČNEGA ORODJANE ODLGAJTE SKUPAJ Z OSTALIMI GOSPODINJSKIMI ODPADKI

SPLOŠNA VARNOSTNA OPOZORIŁA ZA ELEKTRIČNA ORODJIA

▲ OPOZORIŁO UPOŠTEVAJTE VSA OPOZORIŁA, NAVODILA, SLIKOVNE PRIKAZE IN PODATKE, KI SO PRILUŽENI TEMU ELEKTRIČNEMU ORODJU.

Neupoštevjanje spodaj navedenih navodil lahko privede do električnega udara, požara in/ali hudih telesnih poškodb. **Shranite vsa opozoriła in navodila za morebitno uporabo v prihodnosti.** Izraz "električno orodje" v opozoriilih se nanaša na vaše orodje, ki se napaja iz električnega omrežja (žično), ali ki ga napaja akumulator (brežžično).

VARNOST DELOVNEGA OBMOČJA

- a. Poskrbite, da bo delovno območje čisto in dobro osvetljeno. Na nepospravljenih in tamsnih mestih so nezgode pogostejše.

- b. Električnih orodij ne uporabljajte v eksplozivni atmosferi, npr. ob prisotnosti vnetljivih tekočin, plinov ali vnetljivega prahu. *Električna orodja ustvarjajo iskre, ki lahko vnamejo prah ali hlape.*
- c. Med uporabo orodja morajo biti otroci in druge osebe izven delovnega območja. V primeru, da odvrnejo vašo pozornost, lahko izgubite nadzor nad orodjem.

ELEKTRIČNA VARNOST

- a. Vtič električnega orodja se mora ujemati z vtičnico. Vtiča nikoli ne spreminjajte na kakršenkoli način. Pri uporabi ozemljenega električnega orodja ne uporabljajte adapterskih vtičev. Z uporabo nespremenjenih vtičev in ustreznih vtično boste zmanjšali nevarnost električnega udara.
- b. Izogibajte se telesnemu stiku z ozemljenimi površinami, kot so cevi, grelci, štedilniki in hladilniki. Če je vaše telo ozemljeno, obstaja povečano tveganje električnega udara.
- c. Električno orodje zavarujte pred dežjem in vlago. Vdor vode v električno orodje poveča tveganje električnega udara.
- d. Z električnim kablom ravnavajte primerno. Nikoli ne nosite orodja tako, da držite kabel, ne vlečite za kabel in ne odklapljajte vtiča tako, da vlečete za kabel. Kabel zavarujte pred vročino, oljem, ostrimi robovi in gibljivimi deli. Poškodovani in zavolani kablai povečajo tveganje električnega udara.
- e. Kadar z električnim orodjem delate na prostem, uporabite podaljšek, ki je primeren za uporabo na prostem. Uporaba kabla, primernega za uporabo na prostem, zmanjša tveganje električnega udara.
- f. Če se uporabi električnega orodja na vlažni lokaciji ni mogoče izogniti, uporabite napajanje, zaščiten s prekinjevalcem električnega tokokroga. Prekinjevalec električnega tokokroga zmanjšuje tveganje električnega udara.

OSEBNA VARNOST

- a. Ko upravljate električno orodje, bodite zbrani, pazite, kaj delate, in ravnavajte razumno. Električnega orodja ne uporabljajte, če ste utrujeni ali pod vplivom drog, alkohola ali zdravil. *Trenutek nepazljivosti med uporabo električnega orodja lahko privede do resnih telesnih poškodb.*
- b. Uporabljajte osebno zaščitno opremo. Vedno nosite zaščito za oči. Uporaba osebne zaščitne opreme, na primer protiprašne maske, nedrsečih zaščitnih čevljev, zaščitne čelade in glušnikov, odvisno od vrste in načina uporabe električnega orodja, zmanjša tveganje telesnih poškodb.
- c. Pazite, da ne pride do nenamernega zagona. Preden orodje priključite na električno omrežje in/ali akumulatorsko baterijo, ga dvignite ali nosite, se prepričajte, da je stikalo v položaju za izklop. Če med prenašanjem električnega orodja držite prst na stikalu oziroma če na električno omrežje priključite vklopljeno orodje, lahko pride do nezgode.
- d. Preden vklopite električno orodje, z njega odstranite vse nastavitvene ključe. Ključ, ki se še vedno drži vrtljivega dela električnega orodja, lahko povzroči telesno poškodbo.
- e. Ne nagibajte se preveč. Imejte pravilno telesno držo in poskrbite za ravnotežje. Tako boste imeli boljši nadzor nad električnim orodjem v nepredvidljivih situacijah.
- f. Nosite ustrezna oblačila. Ne nosite ohlapnih oblačil ali nakita. Pazite, da vaši lasje, oblačila in rokavice ne pridejo v stik s premikajočimi se deli. Gibljivi deli lahko zagrabijo ohlapno oblačilo, nakit ali dolge lase.
- g. Če so na voljo naprave za zbiranje in

odstranjevanje prahu, se prepričajte, da so le-te priključene in ustrezno uporabljene. Uporaba odsesovalnika prahu lahko zmanjša tveganja zaradi prahu.

- h. Naj seznanjenost z orodjem, ki jo pridobite s pogosto uporabo, ne bo razlog za to, da postanete lahkomiseln in ignorirate varnostna načela. V delčku sekunde lahko nepozorno dejanje pripelje do hude poškodbe.

UPORABA IN NEGA ELEKTRIČNEGA ORODJA

- a. Ne preobremenjujte električnega orodja. Uporabite pravo električno orodje za svoje potrebe. Z ustreznim električnim orodjem boste delo opravili bolje in varneje s hitrostjo, za katero je bilo zasnovano.
- b. Električnega orodja ne uporabljajte, če stikalo za vklop/izklop ne deluje. Vsako električno orodje, ki ga ni mogoče vklopiti ali izklopiti s stikalom, je nevarno in ga je treba popraviti.
- c. Pred nastavljanjem električnega orodja, zamenjavo nastavkov ali shranjevanjem orodja izvlecite vtikač iz električne vtičnice in/ali odstranite baterijski komplet, če je ta odstranljiv. Takšni preventivni varnostni ukrepi zmanjšajo tveganje nenamernega zagona električnega orodja.
- d. Električno orodje, ki ni v uporabi, hranite izven dosega otrok. Ne dovolite, da električno orodje upravljajo osebe, ki niso seznanjene z električnim orodjem ali s temi navodili. Električno orodje je nevarno, če ga uporabljajo neizkušene osebe.
- e. Vzdržujte električno orodje in dodatke. Preverjajte, da na orodju ni napačno poravnanih ali blokiranih gibljivih delov, da deli niso poškodovani in da ni nobenih drugih stanj, ki bi lahko vplivala na delovanje električnega orodja. Če je orodje poškodovano, ga pred ponovno uporabo dajte v popravilo. Veliko nezdod se zgodi ravno zaradi slabo vzdrževanega električnega orodja.
- f. Poskrbite, da bo rezalno orodje vedno ostro in čisto. Pravilno vzdrževana rezalna orodja z ostrimi rezalnimi robovi se bodo manj verjetneje sprijemala in so lažje vodljiva.
- g. Električno orodje, pribor, nastavke itd. uporabljajte v skladu s temi navodili za uporabo in v namen, predviden za določen tip električnega orodja, ter pri tem upoštevajte delovne pogoje in vrsto dela, ki ga želite opraviti. Uporaba električnega orodja v druge, nepredvidene namene lahko privede do nevarnih situacij.
- h. Ročaji in površine za prijemanje naj bodo suhe, čiste in brez olja ali maščobe. Gladki ročaji in površine za prijemanje ne omogočajo varne uporabe in nadzora orodja v nepričakovanih situacijah.

SERVISIRANJE

- a. Električno orodje lahko servisira samo usposobljeno strokovno osebje, in to izključno z originalnimi nadomestnimi deli. Le tako bo poskrbljeno za varnost vašega električnega orodja.

VARNOSTNA OPOZORILA ZA STROJE

VARNOSTNA NAVODILA ZA REZBARSKE ŽAGE


- a. Ko izvajate postopek, pri katerem lahko pride rezalni pribor v stik s skrito električno napeljavo ali z lastnim napajalnim kablom, držite električno orodje na izoliranih prijemalnih površinah. Stik rezalnega pribora z žico pod napetostjo lahko povzroči, da so posledično tudi kovinski deli orodja pod napetostjo, kar lahko privede do električnega udara.
- b. Uporabite vpenjala ali kako drugače zavarujte

in podprite obdelovanca k stabilni plošči. Če obdelovanec držite z roko ali ob svojem telesu, je ta nestabilen in lahko povzroči izgubo nadzora.


- c. Držite roke stran od območja žaganja. Ne segajte pod obdelovanec. Stik z žaginim listom lahko povzroči telesne poškodbe.
- d. Električno orodje uporabljajte na obdelovanca samo, ko je ta vklopljen. V nasprotnem primeru obstaja nevarnost povratnega udara, ko se rezalno orodje zagodi v obdelovanec.
- e. Ko je rez končan, izklopite orodje in potegnite žagin list iz zarezne, ampak šele, ko se ta ustavi. Na ta način se lahko izognete povratnemu udaru in lahko varno odložite orodje.
- f. Uporabljajte le ostre, brezhibne žagine liste. Upognjeni ali topi žagini listi se lahko zlomijo ali povzročijo povratni udar.
- g. Žaginega lista ne ustavljajte z uporabo stranskega pritiska po tem, ko ste ga izklopili. Žagin list se lahko poškoduje, zlomi ali povzroči povratni udar.
- h. Za iskanje skritih oskrbovalnih vodov uporabljajte ustrezne iskalne naprave ali se o tem pozanimajte pri lokalnem podjetju za oskrbo z vodo, elektriko ali plinom. Stik z električnim vodom lahko povzroči požar ali električni udar. Poškodovan plinovod lahko povzroči eksplozijo. Vdor v vodno linijo povzroči premoženjsko škodo ali lahko povzroči električni udar.
- i. Zavarujte obdelovanec. Obdelovanec, vpet z vpenjalnimi pripravami ali s primežem, bo bolj zavarovan, kot če bi ga držali z roko.
- j. Delovno mesto naj bo vedno čisto. Posebno nevarne so mešanice materialov. Prah lahkih kovin se lahko vname ali eksplodira.
- k. Vedno počakajte, da se naprava popolnoma ustavi, preden jo odložite. Vstavljeno orodje se lahko zagodi, kar lahko vodi do izgube nadzora nad električnim orodjem.
- l. Nikoli ne uporabljajte orodja s poškodovanim kablom. Ne dotikajte se poškodovanega kabla in ne vlecite vtikača, če se je kabel poškodoval med delovanjem. Poškodovani kabli povečujejo tveganje za električni udar.

SPLOŠNA VARNOSTNA OPOZORILA ZA DELOVNO POSTAJO

- a. Izključite vtikač iz električne vtičnice in/ali baterije iz električnega orodja, preden prilagodite ali zamenjate pribor. Neželeni zagoni orodja so lahko vzrok nekaterim nesrečam.
- b. Primerno sestavite delovno stojalo pred namestitvijo orodja. Primerna sestavitev je pomembna za preprečitev nevarnosti padca.
- c. Pred uporabo varno namestite orodje na delovno stojalo. Premikanje električnega orodja na delovnem stojalu lahko povzroči izgubo nadzora.
- d. Postavite delovno stojalo na trdno, plosko in ravno površino. Če se delovno stojalo lahko premika ali ziblje, električnega orodja in obdelovanca ni mogoče varno nadzirati.

 **NOSITE ZAŠČITNE GLUŠNIKE** (vpliv hrupa lahko povzroči izgubo sluha)

 **NE OBDELUJTE MATERIALOV, KI VSEBUJEJO AZBEST** (azbest je rakotvoren)

 **ČE PRI DELU NASTAJA ZDRAVJU ŠKODLJIV PRAH** (nekateri vrste prahu so rakotvorne), vnetljiv ali eksploziven prah, poskrbite za ustrezne zaščitne ukrepe; nosite protiprašno masko in uporabljajte naprave za odstranjevanje prahu/opilkov, če so predvidene za uporabo z vašim orodjem.

SPECIFIKACIJE

Številka modela	MS20
Vhodna moč	70 W
Napetost	220-240 V~50/60 Hz
Hitrost brez obremenitve	1500-2250/min
Največja globina reza	18 mm
Globina grla	250 mm
Dolžina giba	8 mm
Teža	1,1 kg

Uporabljajte povsem odvitne in varne električne podaljške s kapaciteto 5 A. Vedno preverite, da je napajalna napetost enaka napetosti, ki je označena na tipski ploščici na orodju.

SPLOŠNO ⑥

Moto-Saw je kompaktna žaga za rezbarjenje 2 v 1, ki je zelo enostavna za uporabo. Uporablja se lahko v pritrjenem načinu, ko je orodje pritrjeno na podstavek ali v ročnem načinu, ko jo držite v roki. To orodje je namenjeno izdelavi natančnih ravnih in ukrivljenih rezov v različne materiale, kot npr. mehak les, trdi les, iverne plošče, laminat, PVC in mehke pločevine z uporabo primernega pribora, ki ga priporoča Dremel.

- A. Gumb za sprostitvek pridrževalne noge
- B. Pridrževalna noga
- C. Nastavek za pritrnitev vodila
- D. Vodilna tirnica
- E. Podstavek
- F. Odprtina za prah
- G. Stikalo za vklop/izklop
- H. Stikalo za spreminjanje hitrosti
 - I. Varovalni primeži
- J. Luknja za trajno pritrnitev
- K. Gumb za hitro sprostitvek
- L. Vzvod za hitro menjavanje pribora

UPORABA

▲ **ODKLOPITE VTIKAČ IZ ELEKTRIČNE VTIČNICE, PREDEN SESTAVITE, NASTAVITE ALI ZAMENJATE PRIBOR.** *Takšni preventivni varnostni ukrepi zmanjšujejo tveganje za nenameren zagon orodja.*

ODESESAVANJE PRAHU

Orodje je opremljeno z odprtino za prah, ki omogoča odsesavanje prahu. Za uporabo te funkcije namestite cev sesalca v odprtino za prah.

PRITRJEN NAČIN

Uporaba orodja v pritrjenem načinu vam daje svobodo za rezanje različnih materialov, tako da obdelovanec držite z obema rokama. V tem načinu se lahko lotite različnih ljubiteljskih ali lesnoobdelovalnih projektov natančno in enostavno.

1. S pomočjo priloženih primežev poskrbite, da je podstavek varno nameščen na ravno delovno površino ⑦. Podstavek lahko trajno pritrдите na delovno mizo z običajnimi vijaki skozi 2 luknji, ki se nahajata na vrhu podstavka.
Ne sedite na podstavku in se nanj ne naslanjajte. Podstavek je namenjen podpori materialov, ki jih izrezujete.
2. Ko je podstavek varno nameščen, vanj priklopite orodje: najprej napeljite kabel skozi luknjo podstavka in nato orodje preprosto zaskočite vanj ⑧. Orodje

je varno nameščen, ko sta ročno orodje in pritrjen podstavek poravnana.

Žago Dremel Moto-Saw uporabljajte samo v podstavku. Druga električna orodja niso namenjena za uporabo s podstavkom.

3. Ko je žagin list vstavljen kot je prikazano ⑨, je orodje pripravljeno za uporabo.
4. Vključite orodje in pustite, da pride do primerne hitrosti, preden pride v stik z obdelovancem.

Ne vklaplajte ali izklaplajte stikala, ko je orodje pod obremenitvijo.

Pridrževalno nogo pritisnite na obdelovanec, da preprečite odbijanje.

Da zmanjšate vibriranje, držite obdelovanec z obema rokama blizu žaginega lista.

Obdelovanca ne potiskajte premočno ob žagine liste. Ti listi so za občutljivo uporabo. Zaradi tega je pomembno, da ima list čas za rezanje materialov. Prekomeren pritisk na obdelovanca bo povzročil zgodnji zlom lista.

Preden začnete delati na svojem projektu, naredite nekaj poskusnih rezov na odpadnem materialu.

ROČNI NAČIN

Uporaba orodja v ročnem načinu je priporočena, če je obdelovanec prevelik ali pritrjen in ga zato ni mogoče postaviti na podstavek. Običajno ročno delovanje vključuje rezbarska dela ali rezanje manjših kosov materialov. V ročnem načinu deluje orodje kot motorizirana žaga za rezbarjenje/žaga rezljaca.

1. Pritisčajte gumb za hitro sprostitvek, medtem ko orodje odstranjujete od postavka ⑩.
2. Ko je orodje izključeno, ga lahko držite v roki ⑪.
Medtem ko režete v ročnem načinu, poskrbite, da trdno držite orodje.
3. Površino orodja poskusite poravnati ob dno obdelovanca, da zmanjšate vibriranje ⑫.

ROBNO VODILO ⑬

Robno vodilo se lahko uporablja v kateri koli vodilni tirnici. Ta nastavek se lahko uporablja kot potisna palica ali kot robno vodilo/pregrada. Ko se uporablja kot potisna palica, ga z nastavkom za pritrnitev vodila ni potrebno pritrčiti v tirnico. Vodilo se lahko uporablja za različne kote. Za nastavitev kota sprostite krilni vijak na vodilu in obrnite glavo v željen položaj.

Robno vodilo se lahko pritrči z obračanjem nastavka za pritrnitev vodila. Sprožitev tega bo preprečilo vodilu zdrsniti v tir.

VZDRŽEVANJA IN ČIŠČENJE

▲ **NE VSEBUJE DELOV, KI JIH LAHKO SERVISIRA UPORABNIK. PREVENTIVNO VZDRŽEVANJE S STRANI NEPOOBlaščenih oseb ima lahko za posledico nepravilno priključitev notranjega vezja in sestavnih delov, kar lahko povzroči resno nevarnost.**

Orodje je mogoče najučinkoviteje čistiti s stisnjanim zrakom. **Kadar čistite orodje s stisnjanim zrakom, vedno nosite zaščitna očala.**

▲ **ČE SE ŽELITE IZOGNITI NEZGODAM, PRED ČIŠČENJEM VEDNO IZKLJUČITE ORODJE IN/ALI POLNILEC IZ NAPA JANJA**

Prezračevalne odprtine in stikalni vzvodi morajo biti vedno čisti in neovirani. Orodja ne poskušajte čistiti z vstavljanjem ostrih predmetov skozi odprtine.



NEKATERA ČISTILNA SREDSTVA IN TOPILA POŠKODUJEJO PLASTIČNE DELE. Med te spadajo: bencin, ogljikov tetraklorid, klorirana topila za čiščenje, amonijak in gospodinjiski detergenti, ki vsebujejo amonijak.

SERVISIRANJE IN GARANCIJA

Priporočamo, da vsakršno servisiranje orodja izvaja servisni center Dremel.

Za ta izdelek DREMEL velja garancija v skladu z zakonskimi predpisi oz. predpisi, specifičnimi za posamezno državo; garancija izključuje škodo zaradi normalne obrabe, preobremenitve ali neustreznega ravnanja.

V primeru pritožbe pošljite nerazstavljeno orodje in/ali polnilnik skupaj z dokazilom o nakupu svojemu trgovcu.

STOPITE V STIK S PODJETJEM DREMEL

Za več informacij o servisu in garanciji, ponudbi izdelkov Dremel, podpora in liniji za pomoč obiščite www.dremel.com.

HRUP IN VIBRACIJE

Raven zvočnega tlaka (standardno odstopanje 3dB) dB(A)	76,0
Raven zvočne zmogljivosti (standardno odstopanje 3dB) dB(A)	87,0
Vibracije (rezanje mehkega jekla) m/s ²	7,7
Vibracije (rezanje iverne plošče) m/s ²	8,4
Negotovost vibracij K m/s ²	1,5

OPOMBA: Deklarirane skupne vrednosti vibracij so izmerjene v skladu s standardno metodo testiranja in se lahko uporabijo za primerjavo enega orodja z drugim. Uporabijo se lahko tudi za predhodno oceno izpostavljenosti.

Vrednosti oddajanja vibracij in hrupa med dejansko uporabo orodja se lahko razlikujejo od deklarirane skupne vrednosti, odvisno od načina uporabe orodja. Ocenite raven izpostavljenosti v dejanskih pogojih uporabe ter sprejmite ustrezne varnostne ukrepe za osebno zaščito (poleg časa normalnega delovanja upoštevajte tudi vse dele delovnega cikla, kot so obdobja, ko je orodje izklopljeno in ko obratuje v prostem teku).

ODLAGANJE ODPADKOV

Orodje, pribor in embalažo je treba ločevati za okolju prijazno recikliranje.

SAMO ZA DRŽAVE ČLANICE ES ⑥

Skladno z evropsko direktivo 2012/19/ES o odpadni električni in elektronski opremi in njenim izvajanem v okviru nacionalne zakonodaje je treba osluzeno električno orodje zbirati ločeno in ga odstranjevati na okolju prijazen način.

LV

IZMANTOTIE SIMBOLI

- ① IZLASIET ŠO INSTRUKCIJU
- ② IZMANTOJIET DZIRDESAIZSARDŽIBAS LĪDZEKLUS
- ③ IZMANTOJIET ACU AIZSARDŽIBAS LĪDZEKLUS
- ④ AIZSARDŽIBAS KLASIFIKĀCIJA: II KLASE

- ⑤ NEIZMETIET ELEKTROINSTRUMENTUS SADZĪVES ATKRITUMU TVERTNĒ!

VISPĀRĒJI NORĀDĪJUMI PAR ELEKTROINSTRUMENTA DROŠU LIETOŠANU



UZMANĪBU NEMIET VĒRĀ VISUS ELEKTROINSTRUMENTAMPIEVIENOTOS DROŠĪBAS BRĪDINĀJUMUS UN INSTRUKCIJAS, ILUSTRĀCIJAS UN SPECIFIKĀCIJAS.

Turpmāk sniegto instrukciju neievērošana var kļūt par cēloni elektriskajam triecienam, ugunsgrēkam un/vai smagam savainojumam. Saglabājiet visus brīdinājumus un instrukcijas turpmākai izmantošanai. Ar terminu "elektroinstrumentus" jāsaprot no elektrotīkla darbināms elektroinstrumenti (ar vadu), kā arī no akumulatora darbināms (bezwadu) elektroinstrumenti.

DROŠĪBA DARBA VIETĀ

- Uzturiet darba vietu tīru un labi apgaismotu.** Nekārtīgā darba vietā un sliktā apgaismojumā var viegli notikt nelaimes gadījums.
- Nedarbiniet elektroinstrumentus sprādzienbīstamā vidē, piemēram, viegli uzliesmojošu šķidrums, gāzu vai putekļu tuvumā.** Elektroinstrumenti darba laikā nedaudz dzirkstējo, un tas var izraisīt viegli degošu putekļu vai tvaiku aizdegšanos.
- Nelaidiet tuvumā bērns un citas personas, kas strādā ar elektroinstrumentu.** Citu personu klātbūtne var novērst uzmanību, kā dēļ jūs varat zaudēt kontroli pār elektroinstrumentu.

ELEKTRODROŠĪBA

- Elektroinstrumenta kontaktdakšai jābūt piemērotai elektrotīkla kontaktlīdždaļai.** Kontaktdakšas konstrukciju nedrīkst nekādā veidā mainīt. Nelietojiet kontaktdakšas adapteri, ja elektroinstrumenti caur elektrisko vadu tiek savienoti ar aizsargzemejuma ķēdi. Neizmantojiet konstrukcijas kontaktdakšas, kas piemērotas kontaktlīdždaļai, samazinās elektriskā trieciena saņemšanas risku.
- Darba laikā nepieskarieties saņemtiem priekšmetiem, piemēram, caurulēm, radiatoriem, plītiem vai ledusskapjiem.** Ķermeņa daļām pieskaroties saņemtiem virsmām, pieaug risks saņemt elektrisko triecienu.
- Nelietojiet elektroinstrumentus lietus laikā, neturiet to mitrām.** Ūdenim iekļūstot instrumentā, pieaug risks saņemt elektrisko triecienu.
- Nenoslogojiet elektrisko vadu.** Nekad nelietojiet elektrisko vadu elektroinstrumenta pārvešanai un piekāršanai, neraujiet aiz tā, ja vēlaties atvienot elektroinstrumentu no elektrotīkla kontaktlīdždas. Sargājiet elektrisko vadu no karstuma, eļļas, asām šķautnēm un elektroinstrumenta kustīgajām daļām. Bojāts vai samezģojies elektriskais vads paaugstina elektriskā trieciena risku.
- Lietojot elektrisko instrumentu ārpus telpām, izmantojiet pagarinātāju, kas piemērots lietošanai ārpus telpām.** Lietojot pagarinātājkabeli, kas piemērots darbam ārpus telpām, samazinās risks saņemt elektrisko triecienu.
- Ja elektroinstrumentu tomēr nepieciešams lietot vietās ar paaugstinātu mitrumu, izmantojiet tā pievienošanai atlikušās strāvas aizsargierīci (RCD).** Lietojot RCD, samazinās risks saņemt elektrisko triecienu.

PERSONĪGĀ DROŠĪBA

- a. Strādājot ar elektroinstrumentu, esiet uzmanīgs, saglabājiet paškontroli un rīkojieties saskaņā ar veselo saprātu. Pārtrauciet darbu, ja jūtaties noguris vai atrodaties alkohola, narkotiku vai medikamentu izraisītā reibumā. Strādājot ar elektroinstrumentu, pat viens neuzmanības mirklis var būt par cēloni nopietnam savainojumam.
- b. Izmantojiet individuālos darba aizsardzības līdzekļus. Darba laikā vienmēr valkājiet aizsargbrilles. Darba aizsardzības līdzekļu, piemēram, putekļu aizsargmasku, neslidošu apavu un aizsargķiveru vai ausu aizsargu izmantošana atbilstoši veicamā darba apstākļiem ļauj izvairīties no savainojumiem.
- c. Nepieļaujiet elektroinstrumenta patvaļīgu ieslēgšanos. Pirms elektroinstrumenta pievienošanas elektroīklam un/vai akumulatora ielikšanas, tā paņemšanas vai pārvietošanas, pārliecinieties, ka slēdzis atrodas stāvoklī "Izslēgts". Pārmērot elektroinstrumentus, turot pirkstu uz slēdža vai pievienojot ieslēgtu elektroinstrumentu elektroīklam, viegli var notikt nelaimes gadījumi.
- d. Pirms elektroinstrumenta ieslēgšanas, neizmirstiet izņemt no tā regulējošos instrumentus vai atslēgas. Patronatslēga vai skrūvjuatslēga, kas elektroinstrumenta ieslēgšanas brīdī ir ievietota tā rotējošajās daļās, var radīt savainojumu.
- e. Strādājot ar elektroinstrumentu, nesniedzieties pārāk tālu. Darba laikā vienmēr saglabājiet līdzsvaru un centieties nepasliedēt. Tas atvieglo elektroinstrumenta vadīšanu neparedzētās situācijās.
- f. Izvēlieties darbam piemērotu apģērbu. Darba laikā nevalkājiet brīvi plandošas drēbes un rotaslietas. Sargājiet matus, apģērbu un aizsargcimdus no elektroinstrumenta kustīgajām daļām. Tajās var iekerties vaļīgas drēbes, rotaslietas un gari mati.
- g. Ja elektroinstrumenta konstrukcija ļauj tam pievienot ārējo putekļu uzsūkšanas vai savākšanas/uzkrāšanas ierīci, sekojiet, lai šāda ierīce tiktu pievienota un pareizi izmantota. Pielietojot putekļu savākšanas ierīci, samazinās putekļukaitīgā ietekme uz lietotāja veselību.
- h. Nepaļaujieties uz iemaņām, kas tiek iegūtas, bieži lietojot instrumentus, nesliedzot pašapmierinātībā un neignorējot instrumenta drošas lietošanas principus. Neuzmanīgas rīcības dēļ dažās sekundēs daļās var gūt nopietnu savainojumu.

ELEKTROINSTRUMENTA LIETOŠANA UN APKOPE

- a. Nepārslodgiet elektroinstrumentu. Katram darbam izvēlieties piemērotu elektroinstrumentu. Elektroinstruments darbojas labāk un drošāk pie nominālās slodzes.
- b. Nelietojiet elektroinstrumentu, ja ir bojāts tā ieslēgšanas/izslēgšanas slēdzis. Elektroinstruments, ko nevar ieslēgt un izslēgt, ir bīstams lietošanai un tas jāremontē.
- c. Iekams regulēt elektroinstrumentu, mainīt piederumus vai to novietot uzglabāšanai, atvienojiet tā kontaktdakšu no elektriskā tīkla un/vai atvienojiet akumulatoru, ja tas ir atvienojams. Šāds drošības pasākums ļauj samazināt elektroinstrumenta nejaušas ieslēgšanās risku.
- d. Elektroinstrumentu, kas netiek darbināts, uzglabājiet vietā, kur tas nav sasniedzams bērniem un personām, kuras neprot rīkoties ar instrumentu vai nav iepazīnušas ar šo lietošanas instrukciju. Elektroinstrumenti nekompetentu personu rokās ir bīstami.
- e. Kopiet elektroinstrumentus un to piederumus. Pārbaudiet, vai kustīgās daļas ir labi salāgotas un

- nav iespīlētas, vai kāda no daļām nav bojāta un vai nepastāv kādi citi apstākļi, kas varētu ietekmēt elektroinstrumenta darbību. Atklājot bojājumus, pirms elektroinstrumenta lietošanas nodrošiniet tam vajadzīgo remontu. Daudzu nelaimes gadījumu cēlonis ir elektroinstrumenta nepietiekama apkope.
- f. Savlaicīgi notīriet un uzasiniet griezošos instrumentus. Pienāgīti kopīti griešanas instrumenti ar asām griezējšķautnēm retāk iestrēgst un tos ir vieglāk kontrolēt.
- g. Lietojiet elektroinstrumentu, piederumus, darbinstrumentus utt. atbilstoši šeit sniegtajiem norādījumiem, ņemot vērā darba apstākļus un veicamā darba veidu. Elektroinstrumenta lietošana mērķiem, kuriem tas nav paredzēts, ir bīstama un var izraisīt bīstamas situācijas.
- h. Uzturiet elektroinstrumenta rokturus un noturvirsmas sausus un tīrus, sargājiet tās no eļļas un smērvielām. Slideni rokturi un salveramās virsmas apgrūtina drošas darbības ar elektroinstrumentu neparedzētās situācijās.

APKALPOŠANA

- a. Elektroinstrumenta apkalpošanu uzticiet kvalificētam speciālistam, izmantojot tikai identiskas rezerves daļas. Tas ļaus saglabāt elektroinstrumenta drošības līmeni.

ĪPAŠIE DARBA DROŠĪBAS BRĪDINĀJUMI

BRĪDINĀJUMI ROTZĀGA LIETOŠANAI

- a. Veicot darbības, kuru laikā griešanas darbinstruments var saskarties ar slēptu elektroinstalāciju vai elektroinstrumenta vadu, turiet elektroinstrumentu aiz izolētajām satveršanas virsmām. Griešanas piederumam skarot spriegumnesošus vadus, spriegums nonāk arī uz elektroinstrumenta metāla daļām un var būt par cēloni elektriskajam triecienam.
- b. Izmantojiet spīles vai citus praktiskus palīg līdzekļus, lai apstrādājamo detaļu nostiprinātu un atbalstītu uz stabilas platformas. Apstrādājamo priekšmetu turot ar roku vai piespiežot pie ķermeņa, tas netiek stabilizēts un var izraisīt kontroles zudumu.
- c. Netuviniet rokas zāģējuma līnijai. Neturiet rokas zem apstrādājamās detaļas. Ķermeņa daļu saskare ar zāģa asmeni var izraisīt traumu.
- d. Apstrādājamajai detaļai tuviniet tikai ieslēgtu elektroinstrumentu. Pretējā gadījumā iespējams atsitēns, kad griešanas darbinstruments iestrēgst apstrādājamajā detaļā.
- e. Kad griešanas darbi ir pabeigti, izslēdziet instrumentu un izņemiet zāģa asmeni no griezuma, kad asmens ir pilnībā apstājies. Tādā veidā izvairīsieties no atsitiena un varat droši novietot instrumentu.
- f. Izmantojiet tikai asus, nebojātus zāģa asmeņus. Saliekti vai neasi zāģa asmeņi var salūst vai izraisīt atsitieni.
- g. Pēc ierīces izslēgšanas nebremzējiet zāģa asmeni ar sānu spiedienu palīdzību. Šādu darbību rezultātā varat bojāt vai salauzt zāģa asmeni vai izraisīt atsitieni.
- h. Ar piemērotu metālmeklētāju pārbaudiet, vai apstrādes vietu nešķērso slēptas elektrobarošanas līnijas, vai arī lūdziet palīdzību vietējā komunālās saimniecības uzņēmumā. Darbinstrumenta saskare ar elektropārvades līniju var izraisīt aizdegšanos vai elektrotriecienu. Gāzes vada bojājums var izraisīt sprādzienu. Darbinstrumentam skarot ūdensvada cauruli, varat bojāt materiālās vērtības vai izraisīt elektrotriecienu.

- i. Nostipriniet apstrādājamo detaļu. Iestiprinot apstrādājamo detaļu skrūvspilēs vai citā stiprinājuma ierīcē, strādāt ar drošāk, nekā turot to ar rokām.
- j. Uzturiet darba vietu tīru. Īpaši bīstams ir dažādu materiālu apvienojums. Vieglo sakausējumu putekļi var aizdegties vai eksplodēt.
- k. Vienmēr pagaidiet, līdz instruments pilnībā apstājas, pirms novietojat to. Ievietotais darbinstruments var iestrēgt un veicināt kontroles zudumu pār elektroinstrumentu.
- l. Nekad nelietojiet instrumentu ar bojātu kabeli. Nepieskarieties bojātajam kabelim un atvienojiet to no elektrotīkla, ja kabeļa bojājums radies darba laikā. Bojāts kabelis palielina elektrotrieciena risku.

VISPĀRĪGI DARBGALDA LIETOŠANAS DROŠĪBAS BRĪDINĀJUMI

- a. Pirms regulēšanas vai uzgaļu maiņas atvienojiet kontaktdakšu no strāvas avota un/vai akumulatora bloku no elektroinstrumenta. Nejausī iedarbinot ierīci, varat izraisīt nelaimes gadījumu.
- b. Pirms ierīces uzstādīšanas pareizi samontējiet darba virsmu. Pareiza montāža ir svarīga, lai darba virsma nesagāztos.
- c. Pirms izmantošanas rūpīgi piestipriniet elektroinstrumentu pie darba virsmas. Elektroinstrumentam uz darba virsmas sasveroties, varat zaudēt kontroli pār to.
- d. Darba virsmu novietojiet uz stingras, plakanas un līdzenas pamatnes. Ja darba virsma ir sasvērusies vai ir kustīga, elektroinstrumentu un apstrādājamo detaļu nevarēsiet stabili un droši pārvaldīt.



IZMANTOJIET AUSU AIZSARGUS (trokšņa iedarbība var radīt paliekošus dzirdes zudumus)



NESTRĀDĀJIET AR MATERIĀLIEM, KAS SATUR AZBESTU (azbests tiek uzskatīts par kancerogēnu)



JA DARBA GAITĀ VAR VEIDOTIES VESELĪBAI KAITĪGI, UGUNSNEDROŠĪVAI SPRĀDZIENBĪSTAMI PUTEKĻI (dažu materiālu putekļi tiek uzskatīti par kancerogēniem), lietojiet respiratoru un putekļu/skaidu atsūkšanas ierīci, ja to ir iespējams pievienot

TEHNISKIE PARAMETRI

Modeļa numurs MS20
 Ieejas jauda 70 W
 Spriegums 220–240 V/~/50/60 Hz
 Bezslodzes ātrums 1500-2250/min.
 Maks. griešanas dziļums... 18 mm
 Atveres dziļums 250 mm
 Gājiena garums 8 mm
 Svars 1,1 kg

Lietojiet pilnīgi atvērtus un droši izmantojamus pagarinātājkabeļus, kas paredzēti vismaz 5 A strāvai. Vienmēr pārbaudiet, vai padeves spriegums atbilst uz elektroinstrumenta plāksnītes norādītajam spriegunam.

VISPĀRĪGI ⑥

Motorzāģis ir kompakts un viegli lietojams rotzāģis „divi vienā”. To var lietot gan stacionārā režīmā, kad instruments ir piestiprināts pie pamatnes, gan kā rokas instrumentu. Instruments paredzēts taisnu un izliektu griezumu veikšanai dažādos materiālos, ietverot mīkstu un cietu koksni, kompozīta plāksnes, laminātu, PVH un mīksta m

etāla loksnes, izmantojot atbilstošus Dremel ieteiktos piederumus.

- A. Nolaizāmās pēdas atlaišanas poga
- B. Nolaizamā pēda
- C. Vadlīnēa bloķēšanas slēdzis
- D. Vadošā sliede
- E. Pamatne
- F. Putekļu ports
- G. Ieslēgšanas/izslēgšanas slēdzis
- H. Ātruma pārslēgšanas slēdzis
- I. Spīles
- J. Fiksācijas atvere
- K. Ātrās atbrīvošanas poga
- L. Piederumu ātrās nomainas slēdzis

LIETOŠANA



PIRMS MONTĀŽAS, REGULĒŠANAS UN DARBINSTRUMENTU NOMAIŅAS ATVIENOJIET STRĀVAS VADA KONTAKTDAKŠU NO ROZETES. Šādi drošības pasākumi ļauj mazināt elektroinstrumenta nejausās ieslēgšanas risku.

PUTEKĻU IZVADE

Instrumenti ir aprīkoti ar putekļu izvades pieslēgvietu putekļu izvadišanai. Lai izmantotu šo funkciju, iestipriniet putekļu sūcēja šūteni putekļu izvades pieslēgvietā.

STACIONĀRAIS REŽĪMS

Lietojot instrumentu stacionārajā režīmā, varat zāģēt dažādus materiālus, turot tos ar abām rokām. Šajā režīmā viegli un precīzi varat veikt vaļasprieķa vai kokapstrādes zāģēšanas darbus.

1. Pārlicinieties, vai pamatne ar spīlēm ir stingri nostiprināta uz plakanas darba virsmas ⑦. Pamatni var nostiprināt uz darbgalda ar skrūvēm, pieskrūvējot tās caur 2 atverēm pamatnes virsdaļā. Nesēdieties un neatbalstieties uz pamatnes. Pamatne ir paredzēta zāģējamo materiālu atbalstam.
2. Kad pamatne ir nostiprināta, ievietojiet tajā instrumentu: vispirms izvelciet vadu cauri pamatnes atverē un ievietojiet pamatnē ierīci, līdz dzirdams klikšķis ⑧. Instruments ir pareizi nostiprināts, kad rokas ierīce un stacionārā pamatne atrodas vienā līmenī. Pamatnē lietojiet tikai Dremel motorzāģi. Šī pamatne nav paredzēta citu elektroinstrumentu uzstādīšanai.
3. Kad zāģa asmens ir ievietots, kā redzams ⑨, instruments ir gatavs darbam.
4. Ieslēdziet instrumentu un pagaidiet, līdz iegūts vajadzīgais ātrums, pirms pieskaraties ar instrumentu apstrādājamajai detaļai. Nepārslēdziet slēdzi ieslēgšanas vai izslēgšanas pozīcijā, kad instruments ir zem slodzes.

Ar slēgplāksni fiksējiet apstrādājamo detaļu, lai novērstu tās vibrāciju.

Lai mazinātu vibrāciju, turiet apstrādājamo detaļu ar abām rokām zāģa asmens tuvumā.

Negrūdiet apstrādājamo detaļu asmens virzienā pārāk spēcīgi. Šie asmeņi ir vārgi. Tādēļ būtiski ir atvēlēt asmeņim laiku, lai tas sazāģē materiālu. Pārmērīgs spiediens uz apstrādājamo materiālu veicinās priekšlaicīgu asmens lūzumu.

Pirms sākat darbu, veiciet dažus izmēģinājuma griezumus uz nevajadzīga materiāla.

ROKAS REŽĪMS

Instrumentu ieteicams lietot rokas režīmā, ja apstrādājamā detaļa ir pārāk liela vai nostiprināta, un tādēļ to

nav iespējams novietot uz pamatnes. Parasti, turot instrumentu rokās, tiek veikta loku zāģēšana vai zāģēti nelieli priekšmeti. Rokas režīmā instruments darbojas kā motorizēts lokzāģis/smalkzāģis.

1. Kamēr atvienojat instrumentu no pamatnes, turiet nospiestu ātrās atvienošanas pogu ⑩.
2. Kad instruments ir atvienots, to varat lietot, turot rokās ⑪. **Zāģējot materiālus rokas režīmā, instruments ir stingri jāsatver aiz rorktura.**
3. Lai samazinātu vibrāciju, centieties turēt instrumenta virsmu paralēli zāģējamajam materiālam ⑫.

MALAS VADOTNE ⑬

Malas vadotni var izmantot arī kā virzošo detaļu. Šo papildaprīkojumu var izmantot kā izgrūdēju vai malas vadotni/vadlīnēaļu. Izmantojot to kā izgrūdēju, nav nepieciešama tā fiksācija slīdēs ar vadlīnēaļa bloķēšanas sviru.

Vadotni var lietot dažādā leņķī. Leņķa regulēšanai atskrūvējiet spārnskrūvi uz vadotnes un pagriežiet galvīgu vajadzīgajā pozīcijā.

Malas vadotni varat fiksēt, pagriežot vadotnes bloķēšanas slēdzi. Tādējādi tiek novērsta vadotnes slīdēšana pa slīdi.

APKOPE UN TĪRĪŠANA

▲ NAV DAĻU, KO VARĒTU APKALPOT LIETOTĀJS. ELEKTROINSTRUMENTA PROFILAKTISKĀS APKOPES LAIKĀ, KO VEICIS NEPILNVAROTS PERSONĀLS, VAR TIKT IZMAINĪTS IEKŠĒJO SAVIENOTĀJU UN CITU SASTĀVDAĻU SAVIENOJUMS, KAS VAR RADĪT NOPIETNAS BRIESMAS LIETOTĀJAM.

Visefektīvāk instrumentu var tīrīt ar sausu, saspiestu gaisu. Tīrot instrumentus ar saspiestu gaisu, vienmēr lietojiet aizsargbrilles.

▲ LAI IZVAIRĪTOS NO NEGADĪJUMIEM, PIRMS TĪRĪŠANAS VIENMĒRATVIENOJIET INSTRUMENTU UNĪVAI UZLĀDES IERĪCI NO STRĀVAS PADEVES AVOTA

Ventilācijas atverēm un svirslēdzīem vienmēr jābūt tīriem un bez svešķermeņiem. Nemēģiniet tīrīt instrumentu, ievadot tā atverēs smailus priekšmetus.

▲ NOTEIKTI TĪRĪŠANAS LĪDZEKĻI UN ŠĶĪDUMI VAR SABOJĀT IERĪCES PLASTMASAS DAĻAS. *Pie šādām vielām pieder: benzīns, oglekļa tetrahlorīds, hlora saturoši tīrīšanas šķīdumi, kā arī amonjaks un amonjaku saturoši sadzīves mazgāšanas līdzekļi.*

TEHNISKĀ APKOPE UN GARANTĪJA

Mēs iesakām visus instrumenta apkalpošanas darbus veikt Dremel pakalpojumu centrā.

Šā DREMEL izstrādājuma garantija atbilst vispārējos un valsts tiesību aktos noteiktajām prasībām; garantija neattiecas uz bojājumiem, ko izraisījis normāls nodilums un nolietojums, izstrādājuma pārslodze vai nepareiza izmantošana.

Pretenziju gadījumā nosūtiet neizjauktu instrumentu un/ vai uzlādes ierīci kopā ar iegādāto apliecināšanu dokumentu uz tuvāko specializēto tirdzniecības vietu.

SAZINĀŠANĀS AR DREMEL

Plašāku informāciju par Dremel piedāvājumu klāstu, atbalsta dienestu un palīdzības līniju skatiet vietnē www.dremel.com.

TROKSNIS UN VIBRĀCIJA

Skaņas spiediena līmenis (standartnovirze 3dB) dB(A)	76,0
Skaņas jaudas līmenis (standartnovirze 3dB) dB(A)	87,0
Vibrācijas (mazlēģēta tērauda zāģēšana) m/s ²	7,7
Vibrācijas (kokskaidu plātnes zāģēšana) m/s ²	8,4
Vibrācijas kļūdas pielāde K m/s ²	1,5

PIEZĪME: Deklarētās vibrācijas kopējā vērtība(s) un trokšņa kopējā vērtība(s) ir mērītas atbilstoši standarta testēšanas metodei un var izmantotas viena instrumenta salīdzināšanai citu instrumentu. Tās var izmantot arī iepriekšējai iedarbības novērtēšanai.

Elektroinstrumenta lietošanas laikā noteiktā vibrācijas emisijas vērtība atkarībā no instrumenta izmantošanas veida var atšķirties no norādītās kopējās vērtības. Nosakiet instrumenta radīto iedarbību faktiskajos izmantošanas apstākļos un izvēlieties attiecīgus drošības pasākumus personiskai aizsardzībai (ņemot vērā visus darba cikla faktorus, piemēram, cik reizi instruments ir izslēgts un cik ilgi pēc ieslēgšanas tas darbojas brīvgaītā).

ATBRĪVOŠANĀS NO NOLIETOTAJIEM IZSTRĀDĀJUMIEM

Instrumenti, piederumi un iepakojumi ir jāsašķiro videi draudzīgigai pārstrādei.

TIKAI EK VALSTĪM ⑥

Saskaņā ar Eiropas Savienības Direktīvu 2012/19/ES par elektrisko un elektronisko iekārtu atkritumiem un šīs direktīvas īstenošanu valsts tiesību aktos, lietošanai nederīgi elektroinstrumenti jāsavāc atsevišķi un no tiem jāatbrīvojas apkārtējai videi nekaitīgā veidā.

HR

KORIŠTENI SIMBOLI

- ① PROČITAJTE OVE UPUTE
- ② KORISTITE ZAŠTITU ZA UŠI
- ③ KORISTITE ZAŠTITU ZA OČI
- ④ KLASA PROIZVODNJE II
- ⑤ ELEKTRIČNI ALAT NE ODLAŽITE ZAJEDNO S OSTALIM KUĆNIM OTPADOM

OPĆA SIGURNOSNA UPOZORENJA ZA ELEKTRIČNI ALAT

▲ UPOZORENJE PROČITAJTE SVA SIGURNOSNA UPOZORENJA, UPUTE, PRIKAZE I SPECIFIKACIJE KOJE STE DOBILIS OVIM ELEKTRIČNIM ALATOM.

Ako se ne pridržavate sljedećih uputa, moglo bi doći do električnog udara, požara i/ili teških ozljeda. Sačuvajte svo upozorenja i upute u slučaju da vam kasnije trebaju. Izraz „električni alat“ u svim upozorenjima odnosi se na električni alat koji se priključuje na struju (s kabelom) ili električni alat na baterije (bez kabela).

SIGURNOST RADNOG PODRUČJA

- a. Održavajte radno mjesto čistim i dobro

osvijetljenim. *Nered i neosvijetljeno radno područje mogu dovesti do nezgoda.*

- b. Ne radite s električnim alatima u eksplozivnoj atmosferi u kojoj se nalaze zapaljive tekućine, plinovi ili prašina. *Električni alati proizvode iskre koje mogu zapaliti prašinu ili pare.*
- c. Tijekom uporabe električnog alata djecu i ostale osobe držite dalje od mjesta rada. *U slučaju skretanja pozornosti mogli bi izgubiti kontrolu nad uređajem.*

ELEKTRIČNA SIGURNOST

- a. Priključni utikač uređaja mora odgovarati utičnici. Na utikaču se ni na koji način ne smiju izvoditi izmjene. Ne koristite adapterski utikač zajedno sa zaštitno uzemljenim uređajem. *Utikač na kojem nisu vršene izmjene i odgovarajuća utičnica smanjuju opasnost od električnog udara.*
- b. Izbjegavajte dodir tijela s uzemljenim površinama kao što su cijevi, radiatorji, štednjaci i hladnjaci. *Postoji povećana opasnost od električnog udara ako je vaše tijelo uzemljeno.*
- c. Električne alate nemojte izlagati kiši ili vlagi. *Prodiranje vode u električni alat povećava opasnost od električnog udara.*
- d. Nemojte oštetiti priključni kabel. Nikada nemojte koristiti priključni kabel za prenošenje, povlačenje ili izvlačenje utikača iz utičnice. Priključni kabel držite dalje od izvora topline, ulja, oštrog rubova ili pomičnih dijelova uređaja. *Oštećeni ili zapetljani kabeli povećavaju opasnost od električnog udara.*
- e. Kad vani radite s električnim alatom, koristite produžni kabel koji je prikladan za vanjsku uporabu. *Primjena produžnog kabela prikladnog za rad na otvorenom smanjuje opasnost od električnog udara.*
- f. Ako je rad s alatom na mokrom mjestu neizbježan, upotrijebite napajanje zaštićeno sklopkom na diferencijalnu struju (RCD). *Upotrebom sklopke na diferencijalnu struju smanjuje se opasnost od električnog udara.*

SIGURNOST LJUDI

- a. Budite pažljivi, pazite što činite i postupajte oprezno kod rada s električnim alatom. Ne radite s uređajem ako ste umorni ili pod utjecajem droga, alkohola ili lijekova. *Trenutak nepažnje kod uporabe uređaja može dovesti do ozbiljnih ozljeda.*
- b. Nosite sredstva osobne zaštite i uvijek zaštitne naočale. Uvijek nosite zaštitu za oči i uši. *Nošenjem zaštitne opreme kao što su maska protiv prašine, sigurnosne cipele za zaštitu od klizanja, zaštitni šljem ili zaštita za uši koji se upotrebljavaju u odgovarajućim uvjetima smanjit će se mogućnost ozljeda osoba.*
- c. Izbjegavajte nehotično puštanje u rad. Prije nego što ćete utaknuti utikač u utičnicu, provjerite je li električni alat isključen. *Ako kod nošenja uređaja imate prst na prekidaču ili se uključen uređaj priključi na električno napajanje, to može dovesti do nezgoda.*
- d. Prije uključivanja električnog alata uklonite alate za podešavanje ili vijčani ključ. *Alat ili ključ koji se nalazi u rotirajućem dijelu uređaja može dovesti do nezgoda.*
- e. Ne precjenjujte svoje sposobnosti. Zauzmite sigurno i stabilno uporište i u svakom trenutku održavajte ravnotežu. *Na taj način možete uređaj bolje kontrolirati u neočekivanim situacijama.*
- f. Nosite prikladnu odjeću. Ne nosite široku odjeću ili nakit. Kosu, odjeću i rukavice držite dalje od pomičnih dijelova. *Široku odjeću, nakit ili dugu kosu mogu zahvatiti pomični dijelovi.*
- g. Ako se mogu montirati naprave za usisavanje i hvatanje prašine, osigurajte da su priključene i

da se pravilno upotrebljavaju. *Hvatanjem prašine smanjuje se ugroženost od prašine.*

- h. Nemojte postati previše bezbrižni i zanemariti sigurnosne upute zato što alat često upotrebljavate i smatrate da ste ga dobro poznali. *Samo jedan trenutak nepažnje dovoljan je za nastanak ozbiljnih ozljeda.*

BRILJLJIVA UPORABA I OPHODENJE S ELEKTRIČNIM ALATIMA

- a. Ne preopterećujte uređaj. Za vaš rad koristite za to predviđen električni alat. *S odgovarajućim električnim alatom radit ćete bolje i sigurnije u navedenom području učinka.*
- b. Ne koristite električni alat čiji je prekidač neispravan. *Električni alat koji se više ne može uključivati i isključivati opasan je i mora se popraviti.*
- c. Izvucite utikač iz mrežne utičnice ili izvadite baterije, ako ih se može odvojiti, iz električnog alata prije njegovog podešavanja, zamjene pribora ili skladištenja. *Ovim mjerama opreza izbjeci će se nehotično pokretanje uređaja.*
- d. Električni alat koji ne koristite spremite izvan doseg djece. Ne dopustite rad s uređajem osobama koje nisu s njim upoznate ili koje nisu pročitale ove upute. *Električni alati su opasni ako s njima rade neiskusne osobe.*
- e. Održavajte električne alate i pribor. Provjerite rade li pomični dijelovi uređaja besprijekorno i jesu li zaglavljivi, jesu li dijelovi polomljeni ili tako oštećeni da se ne može osigurati funkcija uređaja. *Prije primjene ove oštećene dijelove treba popraviti. Mnoge nesreće imaju svoj uzrok u slabo održanim električnim alatom.*
- f. Rezne alate održavajte oštrom i čistim. *Pažljivo održavani rezni alati s oštrom oštricom rjeđe će se zaglaviti i njima je lakše upravljati.*
- g. Električni alat, pribor, nastavke alata itd. upotrebljavajte u skladu s ovim uputama i uzimajući u obzir radne uvjete i rad koji treba izvršiti. *Uporaba električnih alata za druge primjene nego što je to predviđeno, može dovesti do opasnih situacija.*
- h. Ručke i zahvatne površine održavajte suhima, čistima i pazite da na njih ne dospiju ulje ili mast. *Sliske ručke i zahvatne površine onemogućuju sigurno rukovanje alatom i njegovu kontrolu u neočekivanim situacijama.*

SERVISIRANJE

- a. Popravlak električnog alata prepuštite samo kvalificiranom stručnom osoblju te ga izvršite samo s originalnim rezervnim dijelovima. *Na taj će se način osigurati da ostane sačuvana sigurnost uređaja.*

UPUTE ZA SIGURNOST SPECIFIČNE ZA UREĐAJ

SIGURNOSNA UPOZORENJA ZA UBODNE PILE

- a. Za vrijeme poslova pri kojima dodatak za rezanje može doći u kontakt sa skrivenim žicama ili vlastitim kabelom, držite ga za izoliranu površinu ručke. *Kontakt nastavka za rezanje s vodom pod naponom može pod napon staviti i izložene metalne dijelove električnog alata te uzrokovati strujni udar.*
- b. Upotrijebite stezaljke ili neki drugi praktičan način da osigurate i pričvrstite izradak na stabilnu platformu. *Ako izradak držite u ruci ili uz tijelo, on će biti nestabilan i može doći do gubitka kontrole.*
- c. Ruke držite dalje od zone piljenja. *Ne posežite*

u prostor ispod izratka. Kod dodira lista pile postoji opasnost od ozljeda.

- d. **Alat na izradak stavite samo kad je uključen.** U protivnom postoji opasnost od trzanja i odsakivanja uslijed zaglavlivanja alata u izratku.
- e. **Kada završite rezanje, isključite alat i izvucite list pile iz proreza tek kad se alat do kraja zaustavi.** Time ćete izbjeći odsakivanje i možete sigurno odložiti alat.
- f. **Koristite samo oštre i potpuno ispravne listove pile.** Svinuti ili tupi listovi pile mogu se slomiti ili uzrokovati odsakivanje.
- g. **Ne kočite pilu bočnim pritiskom nakon što je isključite.** List pile može se oštetiti, slomiti ili uzrokovati odsakivanje.
- h. **Primijenite prikladan uređaj za detekciju kako bi se pronašli skrivene vodove ili zatražite pomoć lokalnog distributera.** Kontakt s električnim vodovima može dovesti do požara i električnog udara. Oštećenje plinske cijevi može dovesti do eksplozije. Probijanje vodovodne cijevi uzrokuje materijalne štete ili može prouzročiti električni udar.
- i. **Osigurajte izradak.** Izradak stegnut steznom napravom ili škripcem sigurnije će se držati nego rukom.
- j. **Održavajte vaše radno mjesto čistim.** Posebno su opasne mješavine materijala. Prašina od lakog metala može se zapaliti ili eksplodirati.
- k. **Prije nego odložite alat, uvijek pričekajte da se do kraja zaustavi.** Umetak alata može se zaglaviti i to dovesti do gubitka kontrole nad alatom.
- l. **Nikada ne koristite alat s oštećenim kablom.** Ne dirajte oštećeni kabel i odmah izvucite utikač ako se kabel ošteti dok radite. Oštećeni kabeli povećavaju rizik od strujnog udara.

OPĆA SIGURNOSNA UPOZORENJA ZA RADNO POSTOLJE

- a. **Izvucite utikač iz utičnice i/ili izvucite bateriju iz električnog alata prije nego što obavite bilo kakve izmjene ili promjenu pribora.** Slučajno pokretanje električnog alata uzrok je raznih nezgoda.
- b. **Ispravno sastavite radno postolje prije postavljanja alata.** Ispravno sastavljanje važno je radi sprječavanja rizika od pada.
- c. **Sigurno pričvrstite električni alat na radno postolje prije uporabe.** Pomicanje alata na radnom postolju može prouzročiti gubitak kontrole nad alatom.
- d. **Postavite radno postolje na čvrstu, ravnu i vodoravnu površinu.** Ako se radno postolje može pomicati ili ljuljati, alat ili izradak ne mogu se stabilno i sigurno kontrolirati.

▲ NOSITE ŠTITNIKE ZA SLUH (djelovanje buke može dovesti do gubitka sluha)

▲ NE OBRADUJTE MATERIJAL KOJI SADRŽI AZBEST (azbest se smatra kancerogenim)

▲ PODUZMITE ZAŠTITNE MJERE AKO BI TIJEKOM RADA MOGLA NASTATI PRAŠINA KOJA JE ZAPALJIVA, EKSPLOZIVNA ILI ŠTETNA ZA ZDRAVLJE (neke se vrste prašine smatraju kancerogenima); nosite masku za zaštitu od prašine i koristite se napravom za usisavanje prašine/strugotina ako se može priključiti

SPECIFIKACIJE

Broj modela MS20
Ulazna snaga 70 W
Nazivni napon 220-240 V~50/60 Hz

Brzina praznog hoda 1500 – 20.000 o/min
Najveća dubina rezanja . . 18 mm
Dubina grla 250 mm
Duljina hoda 8 mm
Težina 1,1 kg

Koristite potpuno odmotane i sigurne produžne kabele kapaciteta 5 A.

Uvijek provjerite odgovara li napon napajanja naponu navedenom na natpisnoj pločici uređaja.

OPĆENITO ⑥

Moto-Saw je kompaktna lisna pila 2-u-1 koja se vrlo jednostavno koristi. Može se koristiti ili u stacionarnom načinu rada, kada je alat pričvršćen na bazu, ili se može držati u ruci. Ovaj je alat namijenjen preciznom izvođenju ravnih i zakrivljenih rezova u raznim materijalima, uključujući meko drvo, tvrdo drvo, kompozitne ploče, laminat, PVC ili listove mekog metala korištenjem pribora koji preporučuje Dremel.

- A. Tipka za otpuštanje stopice za pridržavanje
- B. Stopica za pridržavanje
- C. Ručica za zaključavanje
- D. Vodilica
- E. Postolje
- F. Otvor za prašinu
- G. Prekidač za uključivanje/isključivanje
- H. Prekidač za odabir brzine
- I. Stezaljke za fiksiranje
- J. Rupa za trajno fiksiranje
- K. Tipka za brzo otpuštanje
- L. Poluga za brzu izmjenu dodataka

UPORABA

▲ PRIJE SASTAVLJANJA, PRILAGODBE ILI PROMJENE NASTAVAKA UVIJEK IZVUCITE UTIKAČ IZ UTIČNICE. Takve preventivne sigurnosne mjere smanjuju rizik od slučajnog pokretanja alata.

IZBACIVANJE PRAŠINE

Vaš je alat opremljen otvorom za izbacivanje prašine. Za korištenje ove funkcije na otvor priključite crijevo usisivača.

STACIONARNI NAČIN RADA

Korištenje pile Moto-Saw u stacionarnom načinu rada daje vam slobodu rezanja različitih materijala pridržavajući ih pritom objema rukama. U ovom načinu rada možete precizno i jednostavno ostvariti razne hobi projekte.

1. Uvjerite se da je postolje isporučenim stegama ⑦ sigurno postavljeno na ravnu radnu površinu. Postolje se može trajno pričvrstiti na radni stol pomoću običnih vijaka kroz 2 rupe koje se nalaze na vrhu postolja. **Ne sjedajte i ne naginjte se na postolje. Postolje je namijenjeno potpori materijala koji se režu.**
2. Nakon što postolje učvrstite, umetnite u njega pilu Moto-Saw:
najprije provucite kabel kroz rupu u postolju, a zatim alat umetnite na mjesto u postolju dok ne klikne ⑧. Pila Moto-Saw sigurno je učvršćena u postolje kada su ručna jedinica i stacionarno postolje poravnati. **U postolju koristite samo Dremel Moto-Saw pilu. Ostali električni alat nije namijenjen za uporabu s ovim postoljem.**
3. Kada učvrstite rezni list onako kako je prikazano na ⑨, alat je spreman za rad.

4. Pokrenite alat i pustite da postigne ispravnu brzinu prije nego njime dodirnete izradak.

Dok je alat pod opterećenjem, nemojte ga uključivati ni isključivati prekidačem.

Pritisnite stopicu za pridržavanje na izradak kako biste spriječili poskakivanje.

Kako biste smanjili vibracije, izradak s obje ruke držite blizu lista pile.

Ne gurajte izradak prejako na rezni list. Ovi su rezni listovi namijenjeni za fine poslove. Zbog toga je važno da rezni list ima dovoljno vremena za rezanje materijala. Prekomjeren pritisak na izradak može uzrokovati prerano pucanje reznog lista.

Prije nego započnete rad na svom projektu, obavite nekoliko probnih rezova na otpadnom materijalu.

RAD IZ RUKU

Uporaba pile Moto-Saw iz ruke preporučljiva je kada je radni izradak prevelik ili je fiksna pa ga se stoga ne može staviti na postolje. Tipičan rad iz ruke može biti, među ostalim, i izrezivanje uzoraka ili rezanje manjih komada materijala. Kad se rabi načinom iz ruke, pila Moto-Saw radi kao motorizirana rezbarska pila.

1. Držite tipku za brzo otpuštanje stalno pritisnutom dok oslobađate alat iz njegovog postolja ⑩.
2. Kada je izvadite iz postolja, pilu Moto-Saw možete držati u ruci ⑪. **Dok režete iz ruke, svakako vodite računa da alat držite čvrsto.**
3. Pokušajte poravnati površinu alata s dnom izratka kako biste smanjili vibracije ⑫.

RUBNA VODILICA ⑬

Rubna se vodilica može koristiti u obje vodilice.

Ovaj se nastavak može koristiti kao drška za guranje alata ili kao rubna vodilica/graničnik. Ako se koristi kao drška za guranje alata, ne treba ga zaključavati u vodilicu pomoću ručice za zaključavanje.

Vodilica se može upotrijebiti pod različitim kutovima. Kako biste podesili kut, otpustite lepiraste vijak na vodilici i zakrenite glavu u željeni položaj.

Rubna se vodilica može zaključati u tom položaju okretanjem ručice za zaključavanje. Tako ćete spriječiti klizanje vodilice u šini.

ODRŽAVANJE I ČIŠĆENJE

⚠ NEMA DIJELOVA KOJE KORISNIK MOŽE SAM SERVISIRATI. PREVENTIVNO ODRŽAVANJE KOJI IZVODE NEOVLAŠTENE OSOBE ZA REZULTAT MOŽE IMATI ZAMJENU UNUTARNJIH ŽICA I SASTAVNICA ŠTO MOŽE PROUZROČITI OZBILJNU OPASNOST.

Alat se najučinkovitije čisti pomoću suhog komprimiranog zraka. **Uvijek nosite zaštitne naočale prilikom čišćenja alata komprimiranim zrakom.**

⚠ DA BI SE IZBJEGLE NEZGODE, PRIJE ČIŠĆENJA UVIJEK ISKLJUČITE ALAT I/LI PUNJAČ

Otvori za ventilaciju i poluge sklopke moraju biti čisti i slobodni od stranih tvari. Nemojte pokušavati čistiti alat umetanjem oštih predmeta kroz otvor.

⚠ ODREĐENA SREDSTVA ZA ČIŠĆENJE I OTAPALA OŠTEĆUJU PLASTIČNE DIJELOVE. Neki od njih su: benzin, ugljični tetraklorid, klorirana sredstva za čišćenje, amonijak i deterdženti za kućanstvo koji sadrže amonijak.

SERVIS I JAMSTVO

Mi preporučujemo da se servisiranje svih alata izvodi u Dremel servisnom centru.

Ovaj Dremel proizvod posjeduje jamstvo sukladno odredbama propisanim zakonom/specifičnim za zemlju; oštećenja uslijed normalne uporabe i trošenja, preopterećenja ili neprikladnog rukovanja isključena su iz okvira jamstva.

U slučaju pritužbi, nerastavljeni alat i/ili punjač pošaljite trgovcu zajedno s dokazom o kupnji.

KONTAKT DREMEL

Za daljnje informacije o uslugama i jamstvu, asortimanu poduzeća Dremel, podršci i telefonskoj službi, posjetite www.dremel.com.

BUKA I VIBRACIJA

Razina zvučnog tlaka (standardno odstupanje 3 dB) dB(A)	76,0
Razina zvučne snage (standardno odstupanje 3 dB) dB(A)	87,0
Razina vibracije (rezanje mekog čelika) m/s ²	7,7
Razina vibracije (rezanje iverice) m/s ²	8,4
Odstupanje vibracije K m/s ²	1,5

NAPOMENA: Navedena ukupna vrijednost vibracija i navedena vrijednost emisija buke izmjerene su u skladu sa standardnim metodama ispitivanja, a mogu se upotrijebiti za međusobne usporedbe alata. Također se mogu upotrijebiti za preliminarnu procjenu izloženosti.

Emisije vibracije i buke tijekom stvarne uporabe električnog alata mogu se razlikovati od navedene ukupne vrijednosti ovisno o načinima na koje se koristite alatom. Napravite procjenu izlaganja u stvarnim uvjetima uporabe i identificirajte sigurnosne mjere za osobnu zaštitu u skladu s tim (uzimajući u obzir sve dijelove radnog ciklusa kao što su vremena u kojima je alat isključen i kad radi praznim hodom dodatno uz vrijeme aktiviranja).

ZBRINJAVANJE

Alat, pribor i pakiranje potrebno je sortirati za ekološki pogodno recikliranje.

SAMO ZA ZEMLJE EU ⑥

Prema Direktivi 2012/19/EZ o otpadnoj električnoj i elektroničkoj opremi (OEEO) i njezinoj provedbi u nacionalnom zakonodavstvu električni alati koji više nisu uporabivi moraju se odvojeno prikupljati i odložiti na ekološki prihvatljiv način.

SR

KORIŠĆENI SIMBOLI

- ① ПРОЧИТАЈТЕ ОВА УПУТСТВА
- ② КОРИСТИТЕ ЗАШТИТУ ЗА УШИ
- ③ КОРИСТИТЕ ЗАШТИТУ ЗА ОЧИ
- ④ УРЕЂАЈ КЛАСЕ II
- ⑤ НЕ БАЦАЈТЕ ЕЛЕКТРИЧНИ АЛАТ У КОМУНАЛНИ ОТПАД

ОПШТА БЕЗБЕДНОСНА УПОЗОРЕЊА О ЕЛЕКТРИЧНИМ АЛАТИМА

▲ УПОЗОРЕЊЕ ОБРАТИТЕ ПАЖЊУ НА СВА УПОЗОРЕЊА, УПУТСТВА, ПРИКАЗЕ И ПОДАТКЕ КОЈЕ ДОБИЈАТЕ СА ЕЛЕКТРИЧНИМ АЛАТОМ.

Ако не обраћате пажњу на следећа упутства, може доћи до електричног удара, пожара и/или тешких повреда. Сачувајте сва упозорења и упутства као будућу референцу. Термин „електрични алат“ у упозорењима односи се на електрични алат који се напаја из електричне мреже (повезан кабловима) или електрични алат који ради на батерији (без каблова).

БЕЗБЕДНОСТ РАДНОГ ПОДРУЧЈА

- Одржавајте радно подручје чистим и добро осветљеним. Неуредна и тамна радна подручја могу да буду узрок незгоди.
- Немојте користити електрични алат у експлозивном окружењу, као што је нпр. присуство запаљивих течности, гасова или прашине. Електрични алат производи искре које могу да запале пару или дим.
- Током руковања електричним алатом одмакните се од деце и посматрача. Непажња може да буде узрок губљења контроле.

ЕЛЕКТРИЧНА СИГУРНОСТ

- Утикач електричног алата мора да одговара утичници. Никада и ни на који начин немојте да модификујете утикаче. Немојте да користите никакве адаптере утикача са уземљеним електричним алатима. Немодификовани утикачи и одговарајуће утичнице смањују ризик од електричног шока.
- Избегавајте телесни контакт са уземљеним површинама као што су цеви, радијатори, шпорети и фрижидери. Ризик од електричног шока је повећан ако је ваше тело повећано.
- Немојте излагати електрични алат киши или влажним условима. Вода која доспе у унутрашњост електричног алата повећаће ризик од електричног шока.
- Немојте оштетити кабл. Немојте никада користити кабл за ношење, вучу или искључивање електричног алата. Држите кабл далеко од топлоте, уља, оштрих ивица и покретних делова. Оштећени или замршени каблови повећавају ризик од електричног шока.
- Кад радите са електричним алатом на отвореном, користите продужни кабл прикладан за спољну употребу. Употреба кабла прикладног за спољну употребу смањује ризик од електричног шока.
- Ако је управљање електричним алатом на влажном подручју неизбежно, користите напајање заштићено уређајем диференцијалне струје (RCD). Употребом RCD-а, смањује се ризик од струјног удара.

ЛИЧНА СИГУРНОСТ

- Будите опрезни, пазите шта радите док рукујете електричним алатом и будите разборити. Не користите електрични алат ако сте уморни или под утицајем дроге, алкохола или лекова. Тренутак непажње током руковања електричним алатом може довести до озбиљне повреде.
- Користите личну заштитну опрему. Увек носите заштиту за очи. Сигурносна опрема као што је

маска за заштиту од прашине, ципеле за заштиту од клизања, заштитна кацига или заштита за уши која се употребљава у одговарајућим условима смањће могућност повреда.

- Спречите ненамерно укључивање. Потврдите да је прекидач на искљученој позицији пре повезивања на извор напајања и/или батерију, подизања или ношења алата. Ношење електричног алата с прстом на прекидачу или прикључивање електричног алата док је прекидач у укљученој позицији може проузроковати несрећу.
- Пре укључивања електричног алата одстраните сва средства за подешавања или кључеве. Кључ или средство за подешавање који се оставе прикључени на ротациони део електричног алата могу да проузрокују повреду.
- Не развлачите. Све време одржавајте одговарајући положај и равнотежу. То омогућава бољу контролу електричног алата у неочекиваним ситуацијама.
- Обуците се примерено. Немојте носити широку одећу или накит. Косу, одећу и рукавице држите далеко од покретних делова. Широка одећа, накит или дуга коса могу да се заплетљају међу покретне делове.
- Ако постоје уређаји за повезивање уређаја за усисавање и сакупљање прашине, уверите се да су спојени и да се правилно користе. Употреба сакупљања прашине може да смањи опасности повезане са прашином.
- Немојте дозволити да због упознатости услед честе употребе алата постанете samozадовољни и игноришете безбедносне принципе алата. Непажљива радња може у делићу секунде довести до озбиљне повреде.

КОРИШЋЕЊЕ И ОДРЖАВАЊЕ ЕЛЕКТРИЧНОГ АЛАТА

- Немојте форсирати електрични алат. Користите одговарајући електрични алат за ваше потребе. Одговарајућим електричним алатом урадићете посао боље и сигурније у брзини за коју је конструисан.
- Немојте користити електрични алат ако прекидач on/off не ради. Електрични алат који не може да се контролише помоћу прекидача је опасан и мора да се поправи.
- Извучите кабл из извора напајања и/или извадите батерију из електричног алата, ако може да се вади, пре било каквих подешавања, замене прибора или складиштења електричних алата. Такве превентивне безбедносне мере смањују ризик од ненамерног укључивања електричног алата.
- Електрични алат који не употребљавате држите изван домаћаја деце и немојте дозволити да алатом рукују особе које нису упознате са њим или овим упутством. Електрични алати су опасни у рукама корисника који нису обучени.
- Одржавајте електричне апарате и прибор. Проверите да ли су покретни делови добро подешени или причвршћени, као и то да ли су делови у исправном стању и све друге услове који би могли да утичу на рад електричног алата. Ако је електрични алат оштећен, дајте га на поправку пре новоне употребе. Узрок многих несрећа је лоше одржавање електричног алата.
- Алат за резање одржавајте оштрим и чистим. Правилно одржан алат за сечење са оштрим ивицама за сечење ређе се заглављује и лакше га је контролисати.
- Користите електрични алат, прибор и делове алата у складу са овим упутствима узимајући

у обзир радне услове и посао који треба да се обави. Употреба електричног алата за послове који нису предвиђени може да проузрокује опасне ситуације.

- h. Одржавајте дршке и површине за хватање сувим, чистим од прљавштине и уља или масти. Клизаве дршке и површине за хватање не дозвољавају безбедно руковање и контролу алата у неочекиваним ситуацијама.

СЕРВИСИРАЊЕ

- a. Нека ваш електрични алат сервисира квалификовани сервисер уз коришћење искључиво идентичних резервних делова. На тај начин обезбедиће се одржавање сигурности електричног алата.

БЕЗБЕДНОСНА УПОЗОРЕЊА ЗА ОДРЕЂЕНУ МАШИНУ

БЕЗБЕДНОСНА УПОЗОРЕЊА ЗА ТЕСТЕРЕ

- a. Електрични алат држите за изоловане делове када изводите радове при којима алат за сечење може да дође у контакт са скривеним електричним водовима или властитим каблом. Контакт са водом који је под напоном може да стави под напон металне делове уређаја услед чега руковаоца може да удари струја.
- b. Користите стеге или други практични начин да затегнете и учврстите радни комади на стабилној платформи. Држање радног комада руком или телом може довести до његове нестабилности и губитка контроле.
- c. Држите руке даље од подручја тестерисања. Не посежите испод радног комада. Контакт са сечивом тестере може довести до повреда.
- d. Електрични алат нанесите на радни комад само када је укључен. У противном постоји опасност да алат за сечење одскочи уназад када засече радни комад.
- e. Када завршите са сечењем, искључите алат и извуците сечиво тестере из сеченог материјала тек пошто се он потпуно заустави. Тиме онемогућавате да алат одскочи уназад и можете безбедно да га одложите.
- f. Користите искључиво оштра, неоштећена сечива тестере. Повијена или тупа сечива тестере могу пући или проузроковати да машина одскочи уназад.
- g. Након што искључите алат, оштрицу тестере немојте заустављати притискајући је са стране. Оштрица тестере услед тога може бити оштећена, пући или проузроковати да машина одскочи уназад.
- h. Употребљавајте одговарајуће детекторе за одређивање да ли су водови скривени у радном подручју или позовите локалну комуналну службу ради помоћи. Контакт са електричним водовима може довести до пожара и електричног удара. Оштећење гасовода може довести до експлозије. Продирање у водоводну инсталацију узрокује оштећење имовине или може узроковати електрични удар.
- i. Обезбедите радни комад. Радни комад стегнут са уређајима за притезање или стегом безбедније се држи него руком.
- j. Одржавајте радно место чистим. Мешавине материјала су посебно опасне. Прашина од лаких легура може да гори или експлодира.
- k. Обавезно сачекајте да се алат потпуно заустави пре него што га положите. Уметнути прибор

може нагло да се загуши што може изазвати губитак контроле над електричним алатом.

- l. Никада не користите алат са оштећеним каблом. Немојте да додирујете оштећени кабл нити да извлачите утикач из утичнице ако је кабл оштећен током рада. Оштећени каблови повећавају опасност од струјног удара.

ОПШТА БЕЗБЕДНОСНА УПОЗОРЕЊА О РАДНОМ ПОСТОЉУ

- a. Одвојите утикач од извора струје и/или напајање батерије из електричног алата пре вршења било каквих подешавања или мењања алата. Случајно покретање електричног алата може да проузрокује извесне несреће.
- b. Исправно монтирајте радно постоље пре монтирања алата. Исправна монтажа је важна ради спречавања ризика од пада.
- c. Сигурно учврстите електрични алат на радно постоље пре употребе. Померање електричног алата на радном постољу може да проузрокује губитак контроле.
- d. Поставите радно постоље на чврсту, равну и равномерно површину. Ако радно постоље може да се помера или љуља, електрични алат или радни комад не могу да се контролишу стабилно и безбедно.

▲ НОСИТЕ ЗАШТИТУ ЗА УШИ (изложеност буци може да доведе до оштећења слуха)

▲ НЕМОЈТЕ ДА РАДИТЕ СА МАТЕРИЈАЛИМА КОЈИ САДРЖЕ АЗБЕСТ (азбест се сматра канцерогеним)

▲ ПРЕДУЗМИТЕ ЗАШТИТНЕ МЕРЕ АКО ТОКОМ РАДА МОЖЕ НАСТАТИ ПРАШИНА КОЈА ЈЕ ШТЕТНА ПО ЗДРАВЉЕ, ЗАПАЉИВА ИЛИ ЕКСПЛОЗИВНА (неке врсте прашине се сматрају канцерогеним); носите заштитну маску против прашине и користите усисивач за праšину/отпатке ако га је могуће прикључити

СПЕЦИФИКАЦИЈЕ

Број модела	MS20
Улазна снага	70 W
Напон	220-240V~50/60Hz
Брзина празног хода	1,500-2,250/мин
Максимална дубина сечења	18 mm
Дубина жљеба	250 mm
Дужина потеза	8 mm
Тежина	1,1 kg

Користите потпуно одмотане и сигурне продужне каблове капацитета 5 ампера. Увек проверите да ли је напон напајања исти као и напон исказан на плочи са називом алата.

ОПШТЕ ⑥

Moto-Saw је компактна 2 у 1 тестера за резбарење веома једноставна за употребу. Можете је користити у стационарном режиму, када је причвршћена за своје постоље, или држећи је у рукама. Овај алат служи за прављење прецизних равних и закривљених резова у разним материјалима као што су меке и тврде врсте дрвета, композитне плоче, ламинат, PVC или меке металне површине, а све то помоћу прибора који препоручује компанија Dremel.

- A. Дугме за држање/спуштање папучице
- B. Папучица за држање/спуштање
- C. Ручица за фиксирање граничника
- D. Шина
- E. Постоље
- F. Отвор за прашину
- G. Прекидач за укључивање/искључивање (On/Off)
- H. Прекидач за бирање брзине
- I. Стеге за причвршћивање
- J. Отвор за стално причвршћивање
- K. Дугме за брзо ослобађање
- L. Полуга за брзу замену прибора

УПОТРЕБА

⚠ ИЗВУЧИТЕ КАБЛ ИЗ НАПАЈАЊА ПРЕ БИЛО КАКВОГ СКЛАПАЊА, ПОДЕШАВАЊА ИЛИ ЗАМЕНЕ ПРИБОРА. Овакве превентивне безбедносне мере смањују опасност од случајног покретања алата.

ИИСАВАЊЕ ПРАШИНЕ

Алат је опремљен отвором за избацавање прашине. Да бисте користили ову функцију причврстите црево усисивача на прикључак за прашину.

СТАЦИОНАРНИ РЕЖИМ

Коришћење алата у стационарном режиму пружа вам могућност да сечете разне материјале држећи радни комад обема рукама. У том режиму, када се бавите хобијем или правите нешто од дрвета, делове можете да сечете прецизно и лако.

1. Проверите да ли је постоље приложеним стегама добро причвршћено за равну радну површину (7). Постоље се може трајно причврстити за радну конзолу обичним завртњима које треба протурити кроз 2 отвора на горњем делу постоља. **Немојте седети на постољу нити се нагињати на њега. Постоље служи као потпора за материјале које сечете.**
2. Када осигурате постоље, на њега причврстите алат: прво провучите кабл кроз отвор на постољу и затим једноставно гурните уређај на постоље (8). Алат је добро причвршћен када су део који држите руком и стационарно постоље у равни. **На постољу користите искључиво Dremel Moto-Saw. На овом постољу не треба користити ниједан други електрични алат.**
3. Када поставите тестеру као што је илустровано (9), алат ће бити спреман за употребу.
4. Укључите алат и оставите га достигне одговарајућу брзину пре него што дотакнете радни комад. **Немојте притискати прекидач за укључивање/искључивање (on/off) док је алат под напоном.**

Папучицу за држање/спуштање спустите доле и њоме притисните радни комад да не би одскакао. Да бисте смањили вибрације држите радни комад обема рукама у близини оштрице тестере. Радни комад немојте превисе притискати о оштрице тестере. Те оштрице служе за фину употребу. Зато је важно да оштрица има довољно времена да исече материјал. Прејакo притискање радног дела изазваће прерано пуцање оштрице.

Пре него што почнете с радом направите неколико пробних резова на отпадном материјалу.

РУЧНИ РЕЖИМ

Ручно држање алата препоручује се када је радни комад сувише велик или је фиксиран и зато не може бити стављен на постоље. Тестера се држи руком

обично када треба резбарити или сећи мање комаде материјала. У ручном режиму рада алат функционише као моторна лучна/резбарска тестера.

1. Притискајте дугме за брзо ослобађање када хоћете да откачите алат са постоља (10).
2. Након скидања, можете га држати у руци (11). **Када сечете у ручном режиму, водите рачуна о томе да га чврсто држите.**
3. Покушајте да поравнате површину алата са радним делом како бисте смањили вибрације (12).

УГАОНИ ВОДИЧ (13)

Угаони водич може да се користи у било којој шини. Овај прибор може да се користи као потисна полуга или као угаони водич/граничник. Када се користи као потисна полуга нема потребе фиксирати га за шине помоћу ручице за фиксирање граничника. Овај водич се може користити под различитим угловима. Да бисте подесили угао отпустите лептир завртањ на водичу и окрените главу у жељени положај. Угаони водич може бити фиксиран на месту окретањем ручице за фиксирање граничника. Тиме ћете онемогућити клизање водича по шини.

ОДРЖАВАЊЕ И ЧИШЋЕЊЕ

⚠ УНУТРА НЕМА ДЕЛОВА КОЈЕ МОЖЕ ДА СЕРВИСИРА КОРИСНИК. ПРЕВЕНТИВНО ОДРЖАВАЊЕ КОЈЕ ВРШЕ НЕОВЛАШЋЕНА ЛИЦА МОЖЕ ДА ИМА ЗА РЕЗУЛТАТ ПОГРЕШНО ПОВЕЗАНЕ УНУТРАШЊЕ ЖИЦЕ И КОМПОНЕНТЕ ШТО МОЖЕ ДА ПРОУЗРОКУЈЕ ОЗБИЛНЕ ОПАСНОСТИ.

Алат може да се чисти помоћу компресованог ваздуха. **Увек носите заштиту за очи кад чистите алат помоћу компресованог ваздуха.**

⚠ ДА БИСТЕ ИЗБЕГЛИ НЕСРЕЋЕ, УВЕК ИСКЉУЧИТЕ АЛАТ И/ИЛИ ПУЊАЧ ИЗ ИЗВОРА НАПАЈАЊА ПРЕ ЧИШЋЕЊА

Отвори за вентилацију и полуге прекидача морају да буду чисти и слободни од страних честица. Немојте да покушавате да чистите алат уметањем оштрих предмета кроз отвор.

⚠ ОДРЕЂЕНА СРЕДСТВА ЗА ЧИШЋЕЊЕ И РАСТВОРАЧИ ОШТЕЋУЈУ ПЛАСТИЧНЕ ДЕЛОВЕ.

Нека од њих су: бензин, угљен тетрахлорид, хлорисани растварачи за чишћење, амонијак и детерџенти за домаћинство који садрже амонијак.

СЕРВИС И ГАРАНЦИЈА

Ми препоручујемо да се сервисирање свих алата изводи у Dremel сервису. Овај Dremel производ поседује гаранцију у складу са одредбама прописаним законом специфичним за земљу; оштећења услед нормалног коришћења и трошења, реоптерећења или непрописно коришћење искључени су из оквира гаранције. У случају жалбе продавцу пошаљите нерасклопљени алат и/или пуњач заједно са доказом о куповини.

КОНТАКТИРАЈТЕ DREMEL

За више информација о сервису и гаранцији, као и асортиману предузећа Dremel, подршци и телефонској линији, посетите www.dremel.com.

БУКА И ВИБРАЦИЈА

Ниво звучног притиска (стандардно одступање 3dB) dB(A)	76,0
Ниво снаге звука (стандардно одступање 3dB) dB(A)	87,0
Вибрација (сечење меког челика) m/s ²	7,7
Вибрација (сечење иверице) m/s ²	8,4
Неизвесност вибрација K m/s ²	1,5

НАПОМЕНА: Наведене укупне вредности вибрације и наведени вредности емисије буке су добијене мерењем које је извршено у складу са стандардним методом тестирања и може да се користи за поређење једног алата са другим. Такође могу да се користе у прелиминарним проценама изложености.

Емисије вибрације и буке за време стварне употребе електричног алата могу да се разликују од наведене укупне вредности зависно од начина на који користите алат. Направите процену излагања у стварним условима употребе и идентификујте сигурносне мере за личну заштиту у складу са тим (узимање у обзир свих делова радног циклуса као што су времена у којима је алат искључен и када ради празним ходом додатно уз време активирања).

ОДЛАГАЊЕ

Алат, прибор и амбалажу би требало сортирати за еколошки повољну рециклажу.

САМО ЗА ЗЕМЉЕ ЕУ ⑥

У складу са Европском директивом 2012/19/E3 о отпаду од електричне и електронске опреме и њене примене у складу са националним законом, електрични алати којима је истекао век трајања морају да се скупљају одвојено и одлажу на еколошки исправан начин.

МК

УПОТРЕБЕНИ СИМБОЛИ

- 1 ПРОЧИТАЈТЕ ГИ ОВИЕ УПАТСТВА
- 2 УПОТРЕБЕТЕ ЗАШТИТА ЗА УШИТЕ
- 3 УПОТРЕБЕТЕ ЗАШТИТА ЗА ОЧИТЕ
- 4 ИЗРАБОТЕНО СПОРЕД КЛАСА II
- 5 ЕЛЕКТРИЧНИОТ АЛАТ НЕ ФРЛАЈТЕ ГО ВО ОТПАДОТ ЗА ДОМАКИНСТВАТА

ОПШТИ БЕЗБЕДНОСНИ ПРЕДУПРЕДУВАЊА ВО ВРСКА СО ЕЛЕКТРИЧНИОТ АЛАТ

▲ ПРЕДУПРЕДУВАЊЕ ПРОЧИТАЈТЕ ГИ СИТЕ БЕЗБЕДНОСНИ ПРЕДУПРЕДУВАЊА, УПАТСТВА, ИЛУСТРАЦИИ И СПЕЦИФИКАЦИИ ПРИЛОЖЕНИ СО ОВОЈ АЛАТ.

Доколку не се почитуваат сите долунаведени упатства, може да дојде до електричен шок, пожар и/или сериозни повреди. Чувајте ги сите предупредувања и упатства за идно користење. Изразот „електричен алат“ во предупредувањата се однесува на електричниот алат кој се приклучува на електрична мрежа (со кабел) или на електричен алат

со батерија (без кабел).

БЕЗБЕДНОСТ НА РАБОТНИОТ ПРОСТОР

- а. Работниот простор одржувајте го чист и добро осветлен. Неуредните и темни работни простори можат да предизвикаат незгоди.
- б. Не работете со електричниот алат во експлозивна средина, како на пр. во близина на запалливи течности, гасови или прашина. Електричните алати прават искри кои можат да ја запалат прашина или пареата.
- в. Додека работите со електричниот алат, оддалечете ги децата и другите лица. Невниманието може да биде причина за губење на контролата.

ЕЛЕКТРИЧНА БЕЗБЕДНОСТ

- а. Приклучницата на алатот мора да одговара на штекерот. Никогаш и на никаков начин немојте да ја модифицирате приклучницата. Немојте да користите адаптери на штекер со заземјени електрични алати. Оригинаалните приклучници и соодветните штекери го намалуваат ризикот од електричен шок.
- б. Избегнувајте физички контакт со заземјените површини, какви што се цевки, радијатори, шпорети и фрижидери. Ризикот од електричен шок е зголемен ако Вашето тело е заземјено.
- в. Не изложувајте го алатот на дожд или влажни услови. Водата што ќе продре во електричниот алат ќе го зголеми ризикот од електричен шок.
- д. Немојте да го злоупотребувате кабелот. Кабелот никогаш не користете го за носење, влечење или за исклучување на електричниот алат. Држете го кабелот подалек од топлина, масло, остри рабови и подвижни делови. Оштетените или заплеткани кабли го зголемуваат ризикот од електричен шок.
- е. Кога работите со електричниот алат надвор, користете продолжен кабел кој е погоден за надворешна употреба. Користењето на кабел кој е погоден за надворешна употреба го намалува ризикот од електричен шок.
- ф. Ако работењето со електричен алат на влажна локација не може да се избегне, користете оосигурувач со диференцијална струјна заштита (RCD - residual current device). Користењето оосигурувач со диференцијална струјна заштита при дефект го намалува ризикот од електричен шок.

ЛИЧНА БЕЗБЕДНОСТ

- а. Бидете внимателни, внимавајте што правите и користете здрав разум додека ракувате со електрични алат. Не користете електричен алат ако сте уморни или под влијание на дрога, алкохол или лекаства. Само еден момент на невнимание додека ракувате со електричен алат може да доведе до сериозни телесни повреди.
- б. Користете опрема за лична заштита. Секогаш носете заштита за очите. Заштитната опрема, како на пр. маска против прашина, нелизгачки заштитни чевли, заштитен шлем или заштита за ушите, која се користи во соодветни услови, ќе ја намали можноста од повреди на лицата.
- в. Избегнувајте случајно вклучување. Уверете се дека прекинувачот е во исклучена положба „off“ пред да го приклучите на електрична мрежа и/или батерија. Носењето на електричниот алат со прстот на прекинувачот или приклучувањето на електричниот алат додека прекинувачот е во положба „on“ може да предизвика несреќа.

- d. Отстранете ги сите средства за подесување и сите клучеви пред да го вклучите електричниот алат. *Ако оставите клуч или средство за подесување прикачени на некој ротационен дел од електричниот алат, тоа може доведе до телесна повреда.*
- e. Не пресегнувајте се премногу. За сето време одржувајте стабилна положба и рамнотежа. *Тоа Ви овозможува подобра контрола над електричниот алат во неочекувани ситуации.*
- f. Носете прописна облека. Немојте да носите широка облека или накит. Косата, облеката и наракниците држете ги понастрана од подвижните делови. *Широката облека, накитот или долгата коса можат да се заплеткаат меѓу подвижните делови.*
- g. Ако на уредите е прикачен вшмукувач на прашина, проверете дали се добро споени и дали правилно се користат. *Користењето собирач на прашина може да ги намали опасностите предизвикани од прашина.*
- h. Не дозволувајте искуството стекнато со честа употреба на алатите да ве направи спокојни и да ги игнорирате безбедносните принципи при неговото користење. *Невнимателно движење може да предизвика сериозни повреди во дел од секунда.*

КОРИСТЕЊЕ И ОДРЖУВАЊЕ НА ЕЛЕКТРИЧНИОТ АЛАТ

- a. Немојте да го форсирате електричниот алат. Користете соодветен електричен алат кој е потребен за Вашата дадена ситуација. *Со соодветниот електричен алат подобро и побезбедно ќе ја завршите работата за која е дизајниран.*
- b. Немојте да го користите електричниот алат доколку не работи прекинувачот on/off. *Секој електричен алат којшто не може да се контролира со помош на прекинувач, е опасен и мора да се поправи.*
- c. Исклучете ја приклучницата од штекерот и/или отстранете ја батеријата од електричниот алат, ако се отстранува, пред да правите какви било подесувања, пред да го менувате приборот или пред да го одложите алатот. *Ваквите превентивни мерки на безбедност го смалуваат ризикот од случајно вклучување на електричниот алат.*
- d. Чувајте го алатот подалеку од дофатот на деца и не дозволувајте им на лицата кои не се упатени во алатот или во овие упатства да ракуваат со алатот. *Електричните алати можат да бидат опасни во рацете на корисници кои не се обучени.*
- e. Одржувајте ги електричните алати и додадоците. Проверете дали спојните или подвижните делови се добро нагодени, дали деловите се во исправна состојба, и сите други услови кои би можеле да влијаат врз работата со електричниот алат. *Ако алатот е оштетен, дајте го на поправка пред повторната употреба. Многу несреќи биле предизвикани од лошо одржуван електричен алат.*
- f. Алатот за сечење одржувајте го остар и чист. *Кога правилно се одржува алатот за сечење со остри рабови за сечење, помала е веројатноста тој да се заглави и полесно се контролира.*
- g. Електричниот алат, приборот и бургите користете ги во согласност со овие упатства, земајќи ги предвид работните услови и работата што треба да се заврши. *Употребата на електричниот алат за работи којшто тој не е предвиден, може да предизвика опасни ситуации.*

- h. Рачките и површините за држење одржувајте ги суви, чисти и неизмастени. *Рачките и површините за држење што се лизгаат не овозможуваат безбедно ракување и контрола на алатот во неочекувани ситуации.*

СЕРВИС

- a. Вашиот електричен алат нека го сервисира квалификуван сервисер со користење само на идентични резервни делови. *На овој начин ќе се обезбеди одржување на сигурноста на електричниот алат.*

БЕЗБЕДНОСНИ ПРЕДУПРЕДУВАЊА ВО ВРСКА СО МАШИНАТА

БЕЗБЕДНОСНИ ПРЕДУПРЕДУВАЊА ЗА ПИЛИ


- a. Електричниот алат допирајте го само на изолираните делови кога извршувате работи при кои алатот за сечење може да дојде во контакт со скриени електрични водови или со сопствениот мрежен кабел. *Опремата за сечење која ќе дојде во допир со жица под напон, може да предизвика изложението метални делови од електричниот алат да дојдат под напон и да предизвика електричен шок за операторот.*
- b. Користете стегалки или друг практичен начин за обезбедување и потпирање на обработуваното парче на некоја стабилна платформа. *Ако работното парче го држите со рака или кон своето тело, тоа го прави нестабилно и може да изгубите контрола.*
- c. Рацете држете ги подалеку од зоната на сечење. *Не се пресегнувајте под работното парче. Контактот со листот на пилата може да доведе до повреда.*
- d. Употребете го алатот врз работното парче дури откако ќе го вклучите. *Инаку постои опасност од повратен удар кога алатот за сечење ќе се заглави во работното парче.*
- e. Кога сечењето ќе заврши, исклучете го алатот и потоа извлечете го сечилото од засечокот дури откако ќе се смири. *На овој начин можете да избегнете повратен удар и можете безбедно да го одложите алатот.*
- f. Користете само остри, беспрекорни сечила за пила. *Искривените или тупи сечила можат да се скришат или да предизвикаат повратен удар.*
- g. Не запирајте го сечилото со примена на страничен притисок после исклучувањето. *Сечилото од пилата може да се оштети, да се скриши или да предизвика повратен удар.*
- h. Користете соодветни детектори за да утврдите дали во работното подрачје има скриени инсталации, или побарајте помош од локална фирма за електродистрибуција. *Контактот со електрични водови може да доведе до пожар и електричен шок. Оштетувањето на гасоводната инсталација може да доведе до експлозија. Продирањето на вода може да предизвика оштетување на имотот или електричен шок.*
- i. Прицврстете го работното парче. *Работното парче кое е прицврстено со уред за притегање или кое е ставено на менмеае, е побезбедно отколку кога се држи со рака.*
- j. Рацете нека Ви бидат чисти. *Мешањето на материјали е посебно опасно. Правот од лесни легури може да се запали или да експлодира.*
- k. Секогаш почекајте алатот потполно да се смири пред да го положите. *Вметнатата алатка*

може да се заглави и да доведе до губење на контролата над електричниот алат.


- I. **Никогаш немојте да го користите алатот со оштетен кабел. Не допирајте го оштетениот кабел и извлечете го приклучокот од штекерот кога кабелот ќе се оштети за време на работењето. Оштетените кабли го зголемуваат ризикот од електричен удар.**

ОПШТИ БЕЗБЕДНОСНИ ПРЕДУПРЕДУВАЊА ЗА РАБОТНАТА МАСА

- a. **Исклучете го приклучокот од изворот на струја и/или патронот со батеријата од алатот пред да правите какви било приспособувања или менување на приборот. Случајното вклучување на електричниот алат е причина за многу несреќи.**
- b. **Правилно монтирајте ја работната маса пред да го монтирате алатот. Правилното монтирање е важно за да се спречи ризикот од уривање.**
- c. **Безбедно прицврстете го алатот за работната маса пред да почнете со употребата. Електричниот алат кој „шета“ по работната маса може да предизвика губење на контролата.**
- d. **Работната маса поставете ја на цврста, рамна и нивелирана површина. Ако работната маса се лизга или се клати, електричниот алат или работното парче не можат да бидат стабилно и безбедно контролирани.**

 **НОСЕТЕ ЗАШТИТА ЗА УШИТЕ** (изложеноста на јаки звуци и бучава може да доведе до трајно оштетување на слухот)

 **НЕМОЈТЕ ДА РАБОТИТЕ СО МАТЕРИЈАЛИ ШТО СОДРЖАТ АЗБЕСТ** (азбестот се смета за канцероген)

 **ПРЕЗЕМЕТЕ ЗАШТИТНИ МЕРКИ АКО ВО ТЕКОТ НА РАБОТАТА СЕ СОЗДАДЕ ПРАШИНА КОЈА Е ШТЕТНА ПО ЗДРАВЈЕТО, ЗАПАЛЛИВА ИЛИ ЕКСПЛОЗИВНА** (некои видови прашина се сметаат за канцерогени); носете заштитна маска против прашина и користете правосмукалка за отпадоци, ако може да се приклучи

СПЕЦИФИКАЦИИ

Број на моделот	MS20
Влезна моќност	70 W
Напон	220-240V~50/60Hz
Број на вртежи без оптоварување	1,500-2,250/min
Макс. длабочина на сечење	18 mm
Длабочина на жлебот	250 mm
Должина на одот	8 mm
Тежина	1,1 kg

Користете потполно одмотани и сигурни продолжени кабли со капацитет од 5 ампера. Секогаш проверете дали напонот е ист како напонот што е наведен на плочката од алатот.


ОПШТО ⑥

Електромоторната пила 2-во-1 е компактна пила за изрежување која е многу лесна за користење. Може да се користи било во стационарен режим на работа кога алатот е прицврстен за основата, било во режим на работа со држење во рака. Овој алат е наменет за вршење на прецизни прави и заоблени сечења на различни материјали, вклучувајќи меко дрво, тврдо дрво, иверици, ламинати, PVC или меки лимени

плочи со помош на применливиот прибор којшто се препорачува од Dremel.

- A. Копче за откочување на папучата за притискање
- B. Папуча за притискање
- C. Јазиче за блокирање на граничникот
- D. Шина за водење
- E. Постојле
- F. Порт за приклучување за уред за прашина
- G. Прекинувач за вклучување/исклучување
- H. Преклопник за бирање на брзина
- I. Стегалки за фиксирање
- J. Дупка за трајно прицврстување
- K. Копче за брзо деблокирање
- L. Јазиче за брзо менување на приборот

КОРИСТЕЊЕ

 **ИЗВАДЕТЕ ЈА ПРИКЛУЧНИЦАТА ОД ИЗВОРОТ НА СТРУЈА ПРЕД ДА МОНТИРАТЕ, ПОДЕСУВАТЕ ИЛИ ДА МЕНУВАТЕ БИЛО КАКОВ ПРИБОР. Вакавие превентивни безбедносни мерки го намалуваат ризикот од ненамерно вклучување на алатот.**

ВШМУКУВАЊЕ НА ПРАШИНА

Алатот е опремен со приклучок за шмукање на прашина. За да ја користите оваа функција, приклучете црево од правосмукалка на овој приклучок.

СТАЦИОНАРЕН РЕЖИМ НА РАБОТА

Користењето на алатот во стационарен режим на работа Ви дава слобода да сечете разновидни материјали, држејќи го работното парче со обете раце. Во овој режим на работа можете прецизно и лесно да се занимавате со разни хобија или проекти за обработка на дрво.

1. Погрижете се основата да биде безбедно прицврстена за рамна работна површина со помош на приложните стеги ⑦. Основата може да биде перманентно прицврстена за работното постолје со обични шrafoви низ 2 дупки што се наоѓаат на врвот од основата.
Немојте да седите или да се потпирате на основата. Основата е наменета за потпирање на материјалот што се сече.
2. Штом основата ќе биде обезбедена, прицврстете го алатот на неа: првин провлетете го кабелот низ дупката на основата, а потоа едноставно вметнете го уредот во основата ⑧. Алатот е безбедно прицврстен кога уредот за рачна употреба и стационарната основа се израмнети.
Во основата користете ја само електромоторната пила Dremel. Не е предвидено на основата да се користат други електрични алати.
3. Штом ќе го вметнете сечилото согласно илустрацијата ⑨, алатот е спремен за работа.
4. Вклучете го алатот и оставете го да ја постигне вистинската брзина пред да отпочнете да го обработувате парчето.
Немојте да вклучувате на „on“ и „off“ додека алатот е под оптоварување.

Притиснете ја папучата врз Вашето работно парче за да оневозможите искокнување.

За да ги минимизирате вибрациите, држете го Вашето работно парче со обете раце близу до сечилото. Немојте прејако да го туркаете Вашето работно парче кон сечилото. Овие сечила се за деликатна примена. Затоа е важно сечилото да има време да го пресече материјалот. Прекумерниот притисок врз работното парче ќе доведе до лом на сечилото.

Пред да почнете да работите на Вашиот проект,

направете неколку пробни сечења на отпаден материјал.

РАЧНА РАБОТА

Користењето на алатот во режимот на работа со држење в рака се препорачува кога работното парче е преголемо или фиксирано, па затоа не може да се постави на основата. Типичната работа со држење в рака се однесува на сечење или режење на помали парчиња материјал. Во режимот на работа со држење в рака, алатот функционира како резбарска лисна пила/убодна пила со моторче.

1. Продолжете да го притискате копчето за брзо деблокирање додека го откачувате алатот од основата ⑩.
2. Штом ќе го откачите алатот, можете да го држите в рака ⑪. Додека сечете во режимот на работа со држење в рака, внимавајте на тоа цврсто да го држите алатот.
3. Пробајте да ја израмните површината на алатот со дното на Вашето работно парче за да ги намалите вибрациите ⑫.

ГРАНИЧНИК ⑬

Граничникот може да се користи за која било шина. Овој приклучок може да се користи како стапче за туркање или како граничник. Кога се користи како стапче за туркање, не е потребно да се блокира на шината со јазичето за блокирање на граничникот. Може да се користи под различни агли. За да подесите агол, олабавете го лептирот на водилката и завртете ја главата во саканата положба. Граничникот може да се блокира на место со свртување на јазичето за блокирање на граничникот. Со ваквото активирање ќе се спречи водилката да се лизга по шината.

ОДРЖУВАЊЕ И ЧИСТЕЊЕ

▲ ВНАТРЕ НЕМА ДЕЛОВИ ШТО МОЖЕ ДА ГИ СЕРВИСИРА КОРИСНИКОТ. ПРЕВЕНТИВНОТО ОДРЖУВАЊЕ ШТО ГО ВРШАТ НЕОВЛАСТЕНИ ЛИЦА МОЖЕ ДА ИМА ЗА РЕЗУЛТАТ НЕИСПРАВНО ПОВРЗУВАЊЕ НА ВНАТРЕШНИТЕ ЖИЦИ И КОМПОНЕНТИ, КОЕ, ПАК, МОЖЕ ДА ПРЕДИЗВИКВА СЕРИОЗНИ ОПАСНОСТИ.

Алатот најдобро се чисти со сув компримиран воздух. Секогаш носете заштитни очила кога ги чистите алатките со компримиран воздух.

▲ ЗА ДА СЕ ИЗБЕГНАТ НЕСРЕЌИ, ПРЕД ЧИСТЕЊЕ СЕКОГаш ИСКЛУЧУВАЈТЕ ГО ЕЛЕКТРИЧНИОТ АЛАТ И/ИЛИ ПОЛНАЧОТ ОД ИЗВОРОТ НА СТРУЈА

Отворите за вентилација и прекинувачите мора да се одржуваат чисти и без туѓи материи. Не обидувајте се да го чистите алатот со пикање на остри предмети низ отворите.

▲ ОДРЕДЕНИ СРЕДСТВА ЗА ЧИСТЕЊЕ И РАСТВОРУВАЧИ МОЖАТ ДА ГИ ОШТЕТАТ ПЛАСТИЧНИТЕ ДЕЛОВИ. Некои од нив се: бензин, јаглероден тетрахлор, хлорирани раствори за чистење, амонијак и детерџенти за домаќинството кои содржат амонијак.

СЕРВИС И ГАРАНЦИЈА

Ние Ви препорачуваме сервисирањето на сите алати да се врши во сервисите на Dremel. Овој продукт на Dremel има гаранција во склад со одредбите пропишани со закон/специфични за земјата; оштетувањата поради нормалното користење и абеење, преоптоварување или непрописно користење се изземени од гаранцијата. Во случај на рекламација, алатот и/или полначот испратете ги до вашиот дистрибутер во нерасклопена состојба, заедно со доказот за купување.

КОНТАКТ СО DREMEL

За повеќе информации во врска со сервисирањето и гаранцијата, асортиманот на фирмата Dremel, поддршка и телефонски број посетете нè на www.dremel.com.

БУЧАВОСТ И ВИБРАЦИИ

Ниво на звучен притисок (стандардно отстапување 3dB) dB(A)	76,0
Ниво на звучна моќност (стандардно отстапување 3dB) dB(A)	87,0
Вибрации (сечење мек метал) m/s ²	7,7
Вибрации (сечење иверица) m/s ²	8,4
Несигурност на вибрации K m/s ²	1,5

НАПОМЕНА: Наведената вкупна вредност на вибрациите и декларираната емисија на звук е измерена во согласност со стандардниот метод на тестирање и може да се користи за споредување на еден алат со друг. Исто така, може да се користи и во прелиминарната проценка на изложеност.

Емисијата на вибрации и звук за време на актуелната употреба на електричниот алат може да се разликува од наведената вкупна вредност, во зависност од начинот на кој го користите алатот. Направете процена на изложеноста во стварни услови на употреба и идентификувајте ги соодветните безбедносни мерки за лична заштита (земете ги предвид сите делови од работниот циклус, како што е времето кога алатот е исклучен и кога работи во празен бд, освен времето на активирање).

ОТСТРАНУВАЊЕ НА ОТПАДОТ

Алатот, приборот и амбалажата треба да се сортираат заради еколошки поволното рециклирање.

САМО ЗА ЗЕМЈИ ОД ЕУ ⑥

Според Европската директива 2012/19/ЕС која се однесува на електричен и електронски отпад и нивната имплементација во склад со националното законодавство, електричните алати на кои им поминал векот на траење мора да се собираат одвоено и да се отстрануваат на еколошки исправен начин.

SK

POUŽITÉ SYMBOLY

- ① PREČÍTAJTE SI TIETO POKYNY
- ② POUŽÍVAJTE OCHRANU SLUCHU
- ③ POUŽÍVAJTE OCHRANU ZRAKU

- ④ KONŠTRUKCIA TRIEDY II
- ⑤ NEVHADZUJTE ELEKTRICKÉ PRÍSTROJE DO DOMOVÉHO ODPADU

VŠEOBECNÉ BEZPEČNOSTNÉ UPOZORNENIA

▲ VÝSTRAHA REŠPEKTUJTE VŠETKY VÝSTRAŽNÉ UPOZORNENIA, POKYNY, OBRAZKY A ÚDAJE, KTORÉ STE DOSTALI S TÝMTO RUČNÝM ELEKTRICKÝM NÁRADÍM.

Nedodržanie akéhokoľvek z nižšie uvedených pokynov môže zapríčiniť úraz elektrickým prúdom, požiar alebo vážne zranenie. Všetky upozornenia a pokyny si odložte na použitie v budúcnosti. Výraz „elektrické náradie“ sa vo všetkých upozorneniach vzťahuje na elektrické náradie napájané zo siete (káblom) alebo batériou (bez kábla).

BEZPEČNOSŤ NA PRACOVISKU

- a. Pracovisko udržiavajte čisté a dobre osvetlené. *Neupratané alebo slabo osvetlené miesta sú častou príčinou nehôd.*
- b. Nepoužívajte elektrické náradie vo výbušnom prostredí, teda v blízkosti horľavých kvapalín, plynov alebo prachu. *Elektrické náradie vytvára iskry, ktoré môžu spôsobiť vznietenie prachu alebo páru.*
- c. Počas práce s elektrickým náradím zabráňte prístupu detí a nepovolanej osôb. *Akéhokoľvek rozptyľovanie pozornosti môže viesť k strate kontroly nad nástrojom.*

ELEKTRICKÁ BEZPEČNOSŤ

- a. Zástrčky elektrických prístrojov musia zodpovedať zásuvkám. Nerobte na zástrčke nikdy žiadne úpravy. Nepoužívajte adaptér zástrčiek s uzmenenými elektrickými prístrojmi. *Neupravené zástrčky a zásuvky znižujú riziko zasiahnutia elektrickým prúdom.*
- b. Zabráňte kontaktu tela s uzmenenými povrchmi, ako je potrubie, radiátory, sporáky alebo chladničky. *Zvýšené riziko úrazu elektrickým prúdom je v prípade, že je vaše telo uzmenené.*
- c. Nevystavujte elektrické prístroje dažďu ani vlhku. *Vniknutie vody do elektrického prístroja zvyšuje riziko úrazu elektrickým prúdom.*
- d. Nepoužívajte kábel na iné účely, než na ktoré je určený. Nikdy pomocou kábla nenoste, neťahajte elektrický prístroj ani ho nevyťahujte zo zásuvky. Ukladajte kábel mimo zdroja tepla, oleja, ostrých okrajov a pohyblivých predmetov. *Poškodený alebo rozpletený kábel zvyšuje riziko úrazu elektrickým prúdom.*
- e. Pri vonkajšom použití prístroja použite predlžovací kábel vhodný na vonkajšie použitie. *Použitie kábla vhodného na vonkajšie použitie znižuje riziko úrazu elektrickým prúdom.*
- f. Ak je nutné používať elektrické náradie vo vlhkom prostredí, použite zariadenie na ochranu pred zvyškovým prúdom. *Používanie zariadenia na ochranu pred zvyškovým prúdom znižuje riziko zásahu elektrickým prúdom.*

OSOBNÁ BEZPEČNOSŤ

- a. Počas manipulácie s elektrickým nástrojom buďte pozorní, sústreďte sa na obrábaný predmet a používajte zdravý úsudok. Elektrický nástroj nepoužívajte, ak ste unavení alebo pod vplyvom drog, alkoholu či liekov. *Aj krátko chvíľa nepozornosti*

počas manipulácie s elektrickým nástrojom môže spôsobiť vážne poranenie.

- b. Pri práci používajte ochranné pracovné pomôcky. **Vždy používajte ochranu očí.** *Používanie vhodných ochranných pomôcok, akými sú napríklad protiprachová maska, bezpečnostná protišmyková obuv, ochranná prilba či ochrana sluchu, znižuje riziko poranenia.*
- c. Zabráňte náhodnému spusteniu. **Pred pripojením napájania a/alebo batérie, zdvihnutím alebo prenášaním nástroja sa uistite, či je vypínač v pozícii Off (Vypnuté).** *Prenášanie elektrického prístroja s prstom na vypínači alebo pripájanie elektrického prístroja s vypínačom v polohe On (Zapnuté) je častou príčinou nehôd.*
- d. **Pred zapnutím elektrického nástroja odstráňte nastavovací kľúč alebo upevňovací kľúč.** *Francúzsky kľúč alebo nastavovací kľúč ponechaný na obojstrannej časti môže spôsobiť vážne zranenia.*
- e. **Nepoužívajte prístroj príliš vysoko.** **Počas práce vždy udržiavajte stabilné držanie tela a rovnováhu.** *Tým sa zabezpečí lepšia kontrola nad nástrojom v prípade neočakávaných udalostí.*
- f. **Používajte vhodné oblečenie.** **Neoneste voľné oblečenie ani šperky.** **Vlasy, oblečenie a rukavice udržiavajte v bezpečnej vzdialenosti od pohyblivých častí.** *Voľné oblečenie, šperky alebo dlhé vlasy sa môžu zachytiť do pohyblivých častí.*
- g. **Ak sú k dispozícii zariadenia na pripojenie pomôcok na odsávanie a zber prachu, zaistite ich pripojenie a správne použitie.** *Použitie zariadení na odsávanie prachu môže znížiť riziká spojené s prachom.*
- h. **Nepodliehajte falošnému pocitu istoty získanej z častého používania náradia a nekonajte v rozpore s princípmi bezpečného používania náradia.** *Nepozorná práca môže v priebehu zlomkov sekundy viesť k ťažkému poraneniu.*

POUŽÍVANIE A ÚDRŽBA PRÍSTROJA

- a. **Nepoužívajte elektrický prístroj na iné účely, než na ktoré je určený.** **Používajte elektrický prístroj zodpovedajúci vašej činnosti.** *Správny elektrický prístroj umožní vykonať prácu lepšie a bezpečnejšie pri rýchlosti, na ktorú bol navrhnutý.*
- b. **Nepoužívajte elektrický prístroj, ak nefunguje vypínač.** *Elektrický prístroj, ktorý nemožno ovládať pomocou vypínača, je nebezpečný a je ho potrebné opraviť.*
- c. **Pred nastavovaním ručného elektrického náradia, výmenou príslušenstva alebo uložením ručného elektrického náradia vyťahnite zástrčku z elektrickej siete a/alebo odoberte batériu, ak je odpojiteľná.** *Tieto preventívne opatrenia znižujú riziko náhodného spustenia elektrického prístroja.*
- d. **Ukladajte prístroje mimo dosahu detí a neumožnite osobám, ktoré nie sú zoznamované s elektrickým nástrojom a týmito pokynmi, používať tento prístroj.** *Elektrické prístroje sú v rukách nezaškolených používateľov nebezpečné.*
- e. **Udržujte ručné elektrické náradie a príslušenstvo.** **Skontrolujte nesprávne vyrovnanie alebo upevnenie pohyblivých častí, poškodenie častí alebo akýkoľvek iný stav, ktorý môže ovplyvniť fungovanie elektrických prístrojov.** **ak je elektrický prístroj poškodený, pred použitím ho opravte.** *Mnoho nehôd je spôsobených nedostatočnou údržbou elektrických prístrojov.*
- f. **Rezacie nástroje udržiavajte ostré a čisté.** **Správne udržiavané rezacie nástroje s ostrými rezacími hranami majú menšiu tendenciu sa zaseknúť a možno ich jednoduchšie ovládať.**
- g. **Používajte elektrický prístroj, ochranné pomôcky,**

bity a ďalšie pomôcky podľa týchto pokynov a spôsobom, ktorý zodpovedá príslušnému typu elektrického prístroja, pri zohľadnení pracovných podmienok a vykonávanej práci. Použitie elektrického prístroja na iné operácie, než na aké je prístroj určený, môže mať za následok nebezpečné situácie.

- h. Rukoväti a úchopové povrchy udržiavajte suché, čisté a bez oleja alebo mazacieho tuku. Šmyklivé rukoväte a úchopové povrchy neumožňujú bezpečnú manipuláciu a ovládanie náradia v neočakávaných situáciách.

SERVIS

- a. V prípade potreby odovzdajte elektrické náradie do opravy kvalifikovanému odborníkovi. Je nevyhnutné používať len identické náhradné súčiastky. *Len tak sa zabezpečí bezpečnosť ďalšieho používania nástroja.*

BEZPEČNOSTNÉ UPOZORNENIA ŠPECIFICKÉ PRE DANÉ NÁRADIE

BEZPEČNOSTNÉ UPOZORNENIA PRE LUPIENKOVÝ PÍLU

- a. Držte elektrický prístroj za izolované povrchy určené na držanie, ak vykonávate prácu, pri ktorej sa môže rezacie príslušenstvo dostať do kontaktu so skrytým vedením alebo vlastným napájacím káblom. Kontakt s elektrickým vedením, ktoré je pod napätím, môže dostať pod napätie aj kovové súčiastky náradia a spôsobiť zásah elektrickým prúdom.
- b. Obrobok zaistíte a podopriete na pevnom povrchu pomocou svoriek alebo iným praktickým spôsobom. Ak budete držať obrobok rukou, alebo tak, že ho budete podopierať svojím telom, bude nestabilný, čo môže viesť k strate ovládania.
- c. Obe ruky majte v dostatočnej vzdialenosti od priestoru pílenia. *Nesiahajte pod obrobok. Pri kontakte s pilovým listom hrozí nebezpečenstvo vážneho poranenia.*
- d. Elektrickým prístrojom sa dotknite obrobku iba vtedy, keď je zapnutý. V opačnom prípade hrozí nebezpečenstvo spätného rázu, keď sa rezný nástroj zasekne v obrobku.
- e. Po dokončení rezania prístroj vypnite a pilový list vyberte z rezu len vtedy, keď je úplne zastavený. *Takýmto spôsobom sa vyhnete spätnému rázu a prístroj môžete bezpečne položiť.*
- f. Používajte iba ostré, bezchybné pilové listy. *Ohnuté alebo tupé pilové listy sa môžu zlomiť alebo spôsobiť spätný ráz.*
- g. Nebrzdíte pilový list tak, že sa ho budete pokúšať zastaviť bočným tlakom vo vypnutí. *Pilový list sa môže poškodiť, zlomiť alebo spôsobiť spätný ráz.*
- h. Používajte vhodné prístroje na vyhľadávanie skrytých elektrických vedení a potrubí, aby ste ich nenavrtali, alebo sa obráťte na miestne energetické podniky. *Kontakt s elektrickým vodičom pod napätím môže spôsobiť požiar alebo mať za následok zásah elektrickým prúdom. Poškodenie plynového potrubia môže mať za následok explóziu. Preniknutie do vodovodného potrubia spôsobí vecnú škodu alebo môže mať za následok zásah elektrickým prúdom.*
- i. **Zabezpečte obrobok.** Obrobok upnutý pomocou upínacieho zariadenia alebo zveráka je bezpečnejší ako obrobok pridržávaný rukou.
- j. **Udržiavajte svoje pracovisko v čistote.** *Mimoriadne nebezpečné sú zmesi rôznych materiálov. Prach z ľahkých zliatin sa môže ľahko zapáliť alebo explodovať.*
- k. Pred položením prístroja vždy počkajte, kým sa

úplne nezastaví. *Vložka prístroja sa môže zaseknúť, čo môže viesť k strate ovládania ručného elektrického náradia.*

- l. **Nikdy nepoužívajte prístroj s poškodeným káblom.** Ak sa kábel poškodí počas práce, nikdy sa ho nedotýkajte a vytiahnite ho za zástrčku. *Poškodené káble zvyšujú nebezpečenstvo úrazu elektrickým prúdom.*

VŠEOBECNÉ BEZPEČNOSTNÉ UPOZORNENIA PRE PRACOVNÝ STOJAN

- a. Pred nastavovaním alebo výmenou príslušenstva odpojte zástrčku z elektrickej zásuvky a/alebo jednotku batérií od elektrického prístroja. *Náhodné spustenie elektrického prístroja môže zapríčiniť nehodu.*
- b. Pred upnutím náradia správne zmontujte pracovný stojan. *Správne zostavenie je dôležité, inak by mohlo dôjsť k uvoľneniu.*
- c. Pred použitím bezpečne upnite elektrické náradie k pracovnému stojanu. *Ak by sa elektrické náradie v pracovnom stojane posúvalo, mohlo by dôjsť k strate kontroly.*
- d. **Postavte pracovný stojan na pevny, hladký a vodorovný povrch.** *Keď sa pracovný stojan môže otáčať, posúvať alebo kývať, nie je možné rovnomerne a bezpečne ovládať elektrický prístroj alebo obrobok.*

▲ POUŽÍVAJTE CHRÁNIČE SLUCHU (pôsobenie hluku môže mať za následok stratu sluchu)

▲ NEPRACUJTE S MATERIÁLMI OBSAHUJÚCIMI AZBEST (azbest je považovaný za karcinogénny)

▲ CHRÁŇTE SA PROTI PRACHU, KTORÝ MÔŽE VZNIKAŤ POČAS PRÁCE A MÔŽE BYŤ ZDRAVIU ŠKODLIVÝ, HORLAVÝ ALEBO VÝBUŠNÝ (niektoré druhy prachu sú považované za karcinogénne); používajte protiprašnú masku a v prípade použiteľnosti pripojte odsávač prachu/úľomkov

TECHNICKÉ ÚDAJE

Model č.MS20
Vstup70 W
Napätie220 – 240 V~ 50/60 Hz
Rýchlosť bez zaťaženia ..	.1500 – 2250 ot./min
Max. hĺbka rezu18 mm
Vyloženie250 mm
Výška zdvihu8 mm
Hmotnosť1,1 kg

Použite úplne rozvinuté bezpečné predlžovacie káble dimenzované na 5 A. **Vždy skontrolujte, či je napájacie napätie rovnaké, ako napätie uvedené na typovom štítku prístroja.**

VŠEOBECNÉ ⑥

Lupienková píla je kompaktná lupienková píla 2-v-1 a je veľmi jednoduchá na použitie. Môžete ju používať v pevnom režime, keď je prístroj pripojený k základni alebo v ručnom režime. Tento prístroj je určený na presné priame a krivkové rezy do rôznych materiálov, vrátane mäkkého dreva, tvrdého dreva, vrstvených dosiek, laminátu, PVC alebo mäkkého plechu pomocou vhodného príslušenstva odporúčaného spoločnosťou Dremel.

- A. Tlačidlo uvoľnenia pridržavacej základne
B. Pridržavacia základňa
C. Blokovacia páka deliaceho prvku

- D. Vodiaca lišta
- E. Základňa
- F. Prachový otvor
- G. Vypínač
- H. Spínač voľby rýchlosti
- I. Svorky na zaistenie
- J. Trvalý upevňovací otvor
- K. Tlačidlo rýchleho uvoľnenia
- L. Páka na rýchlu výmenu príslušenstva

POUŽÍVANIE



PRED MONTÁŽOU, NASTAVOVANÍM ALEBO VÝMENOU PRÍSLUŠENSTVA ODPOJTE ZÁSTRČKU OD ZDROJA NAPÁJANIA. *Takéto preventívne bezpečnostné opatrenia znižujú riziko náhodného spustenia elektrického prístroja.*

ODSÁVANIE PRACHU

Prístroj je vybavený prachovým otvorom na odvádzanie prachu. Ak chcete používať túto funkciu, pripievňte odsávaciu hadicu k prachovému otvoru.

PEVNÝ REŽIM

Používanie prístroja v pevnom režime vám poskytuje slobodu pri rezaní rôznych materiálov tak, že obrobok držíte obidvomi rukami. V tomto režime môžete presne a jednoducho dokončiť rôzne drevené výrobky alebo pracovné projekty.

1. Uistite sa, že základňa je pevne pripojená k rovnému pracovnému povrchu pomocou dodaných svoriek (7). Základňa môže byť nastálo pripevnená k pracovnému stolu pomocou skrutiek, prevedených cez 2 otvory, ktoré sa nachádzajú na hornej strane základne. **Na základňu si nesadajte ani ju nenakláňajte. Základňa slúži na podporu rezaných materiálov.**
2. Po zabezpečení do základne pripevnite prístroj: najskôr vedte kábel cez otvor v základni a potom prístroj jednoducho zacvaknite do základne (8). Prístroj je pevne pripevnený, keď je zarovnaný ručný prístroj a pevná základňa. **V tejto základni používajte iba lupienkové pílu Dremel. Ostatné ručné elektrické náradie nie je určené na používanie s touto základňou.**
3. Po vložení pilového listu podľa obrázka (9) je prístroj pripravený na používanie.
4. Spustíte prístroj a skôr ako sa dotknete obrobku ho nechajte nabehnúť na správnu rýchlosť. **Spínač nezapínajte a nevypínajte, kým je prístroj zaťažený.**

Na obrobok zatlačte pridržiavaciu základňu, aby neskákal. Pre minimalizovanie vibrácií držte obrobok obidvomi rukami blízko pilového listu.

Obrobok netlačte na pilové listy príliš silno. Tieto listy sú určené na jemné používanie. Preto je dôležité, aby mal list dostatočný čas na prepílenie materiálu. Nadmerný tlak na obrobok bude viesť k ľahkému prasknutiu listu.

Pred začiatkom práce vykonajte na kúsku materiálu zopár skúšobných rezov.

RUČNÝ REŽIM

Používanie prístroja v ručnom režime sa odporúča ak je obrobok príliš veľký alebo uchytený a preto ho nie je možné položiť na základňu. Typická ručná prevádzka zahŕňa oblúkové práce alebo rezanie menších kúskov materiálov. V ručnom režime prístroj funguje ako motorizovaná oblúková/lupienková píla.

1. Pri odpájaní prístroja zo základne držte stlačené tlačidlo rýchleho uvoľnenia (10).
2. Po odpojení prístroja môžete prístroj držať v ruke (11). **Počas rezania v ručnom režime sa uistíte, že prístroj držíte pevne.**
3. Pokúste sa vyrovnáť povrch prístroja so spodnou stranou obrobku, aby ste znížili vibrácie (12).

VODIACA LIŠTA OKOLO OKRAJA (13)

Vodiacu lištu okolo okraja môžete používať v ktorejkoľvek z vodiacich lišt.

Toto príslušenstvo môžete použiť ako posuvnú tyč alebo ako vodiacu lištu okolo okraja/deliaci prvok. Pri použití ako posuvnej tyče ju nemusíte zablokovať v lištách pomocou blokovacej páky deliaceho prvku.

Lištu môžete používať v rôznych uhloch. Ak chcete nastaviť uhol, uvoľnite krídlovú skrutku na lište a otočte hlavu do požadovanej polohy.

Vodiacu lištu okolo okraja môžete zablokovať na mieste otočením blokovacej páky deliaceho prvku. Zabráňte tým posunutiu lišty vo vodiacom prvku.

ÚDRŽBA A ČISTENIE



DIELY V NÁSTROJI NEMOŽE OPRAVOVAŤ SÁM POUŽÍVATEĽ. ÚDRŽBA VYKONANÁ NEPOVOLANOU OSOBOU MÔŽE MAŤ ZA NÁSLEDOK NESPRÁVNE UMIESTNENIE DRÔTOV A DIELOV, ČO MÔŽE PREDSTAVOVAŤ VÁŽNE NEBEZPEČENSTVO.

Prístroj možno najefektívnejšie vyčistiť stlačeným suchým vzduchom. **Pri čistení stlačeným vzduchom si vždy nasadzte ochranné okuliare.**



ABY STE ZABRÁNILI NEHODÁM, PRED ČISTENÍM VŽDY ODPOJTE PRÍSTROJ AJALEBO NABIJAČKU OD ZDROJA NAPÁJANIA

Ventilačné otvory a páčky vypínačov musia byť udržované čisté a bez prítomnosti cudzej hmoty. Nepokúšajte sa čistiť prístroj cez otvor vkladáním špicatých predmetov.



NIEKTORE ČISTIACE PROSTRIEDKY A ROZPÚŠŤADLÁ POŠKODZUJÚ DIELY Z UMELEJ HMOTY. Niektoré z nich sú tieto: benzín, tetrachlórmetán, čistiace rozpúšťadlá s chlóróm, čpavok a domáce prostriedky obsahujúce čpavok.

SERVISNÉ A ZÁRUČNÉ PODMIENKY

Odporúčame vykonávať akýkoľvek servis prístroja v servisnom centre Dremel.

Tento výrobok spoločnosti DREMEL podlieha záručným podmienkam v súlade s legislatívnymi ustanoveniami príslušnej krajiny; záruke nepodlieha bežné opotrebovanie nástroja ani poškodenia spôsobené jeho preťažením či nesprávnou manipuláciou.

V prípade reklamácie prístroj a/alebo nabíjačku odošlite v nerozobratom stave spolu s dokladom o jeho zakúpení na adresu predajcu.

ADRESA SPOLOČNOSTI DREMEL

Blížšie informácie o servise a záruke, výrobkoch, podpore a službách spoločnosti Dremel nájdete na webovej adrese www.dremel.com.

HLUK A VIBRÁCIE

Hladina akustického tlaku (štandardná odchýlka 3dB) dB(A)	76,0
Hladina akustického výkonu (štandardná odchýlka 3dB) dB(A)	87,0
Vibrácie (rezanie mäkkej ocele) m/s ²	7,7
Vibrácie (rezanie drevotriesky) m/s ²	8,4
Odchýlka vibrácií K m/s ²	1,5

POZNÁMKA: Deklarovaná celková hodnota(-y) vibrácií a deklarovaná hodnota(-y) emisie hluku boli merané v súlade so štandardnými testovacími metódami a môžu sa používať na porovnanie s inými nástrojmi. Môžu sa použiť aj na predbežné posúdenie expozície.

Vibrácie emisie hluku vznikajúce počas používania ručného elektrického náradia sa môžu odlišovať od deklarovanej celkovej hodnoty – závisí to od spôsobu používania tohto nástroja. Odhad miery vystavenia vibráciám vykonajte v konkrétnych podmienkach používania a podľa toho určte potrebné osobné ochranné prostriedky (berte do úvahy nielen dobu spúšťania, ale aj ostatné fázy prevádzkového cyklu, ako napríklad dobu vypínania nástroja a dobu prevádzky naprázdno).

A LIKVIDÁCIA

Prístroj, jeho príslušenstvo i obal je potrebné recyklovať v súlade s princípmi ochrany životného prostredia.

IBA PRE KRAJINY ES

Podľa európskej smernice 2012/19/ES o odpade z elektrických a elektronických zariadení a jej implementácie do vnútroštátnych právnych predpisov sa vyradené elektrické náradie musí zhromažďovať samostatne a likvidovať spôsobom šetrným k životnému prostrediu.

الرموز المستخدمة

- ① برجاء قراءة هذه التعليمات
- ② يجب استخدام حماية السمع
- ③ يجب استخدام حماية العين
- ④ التركيب من الفئة الثانية
- ⑤ لا تتخلص من الأدوات الكهربائية في النفايات المنزلية

تحذيرات عامة لسلامة الأدوات الكهربائية

تحذير

اقرأ كافة تحذيرات السلامة والتعليمات والأشكال التوضيحية والمواصفات المرفقة مع هذه الأداة الكهربائية.

قد يؤدي عدم اتباع جميع التعليمات الموضحة أدناه إلى حدوث صدمة كهربائية، و/أو حريق، و/أو إصابة بالغة. احفظ جميع التحذيرات والتعليمات للرجوع إليها في المستقبل. يشير مصطلح «الأداة الكهربائية» الوارد في التحذيرات إلى أدواتك الكهربائية التي يتم تشغيلها من مصدر تيار رئيسي (عبر الأسلاك) أو أدائك الكهربائية التي يتم تشغيلها باستخدام البطارية (دون أسلاك).

سلامة منطقة العمل

- a. حافظ على نظافة منطقة العمل وإضاءتها الجيدة. تشجع المناطق التي تسودها الفوضى أو الظلام على وقوع الحوادث.
- b. لا تقم بتشغيل الأدوات الكهربائية في مناطق قابلة للانفجار، كما في حال وجود سوائل قابلة للاشتعال أو غازات أو أتربة. فقد ينتج عن الأدوات الكهربائية شرار قد يتسبب في اشتعال الأتربة أو الأبخرة.
- c. أبعد الأطفال والمنزلة أثناء تشغيل أداة كهربائية. فقد يتسبب شرود ذكك في فقدان السيطرة.

الأمان الكهربائي

- a. يجب أن تطابق قوايس الأداة الكهربائية مع المنفذ. لا تقم بتعديل القابس بأي شكل مطلقاً. لا تستخدم أي قوايس مهيأة مع الأدوات الكهربائية المتصلة بالأرض (الموزونة). ستعمل القوايس غير المعدلة والمأخذ المتوافقة على تقليل خطر حدوث صدمة كهربائية.
- b. تجنب ملامسة الجسم للأسطح المتصلة بالأرض أو الموزونة مثل الأنابيب والقفائات وأفران الطهي والتلاجات. هناك خطر متزايد لحوث صدمة كهربائية في حالة ملامسة جسمك للأدوات الموزونة أو المتصلة بالأرض.
- c. لا تعرض الأدوات الكهربائية إلى الأمطار أو الرطوبة. حيث سيؤدي الماء الذي يدخل في أداة كهربائية إلى زيادة خطر حدوث صدمة كهربائية.
- d. لا تستخدم السلك في غير أغراضه. لا تقم أبداً باستخدام السلك لحمل الأداة الكهربائية أو جنبها أو فصلها. أبق السلك بعيداً عن الحرارة والزيوت أو الحواف الحادة أو الأجزاء المتحركة. كما تزيد الأسلاك المتشابكة أو التالفة من خطر حدوث الصدمة الكهربائية.
- e. استخدم سلك استعطلة مناسباً للاستخدام الخارجي عند تشغيل أداة كهربائية في الأماكن الخارجية. يؤدي استخدام سلك مناسب للاستخدام الخارجي إلى تقليل خطر حدوث صدمة كهربائية.
- f. إذا كان من الضروري تشغيل الأداة الكهربائية في مكان رطب، فاستخدم مصدر طاقة محمياً بجهاز التيار المتبقي (RCD). يقلل استخدام جهاز التيار المتبقي من خطر الصدمة الكهربائية.

السلامة الشخصية

- a. كن منتهياً، وانتبه إلى ما تفعله، وتحلّ بحسن التمييز عند تشغيل أداة كهربائية. لا تستخدم أداة قوة عندما تكون مجهداً أو تحت تأثير العقاقير أو الكحول أو الأدوية. فقد يؤدي السهول للحظة أثناء تشغيل الأدوات الكهربائية إلى إصابة جسدية خطيرة.
- b. استخدم معدات حماية شخصية. ارتد واقي عين على الدوام. ستقلل معدات الوقاية مثل قناع نظارة الأتربة، أو أغطية الأمان المضادة للترحلق، أو الخوذة أو معدات وقاية السمع التي يتم استخدامها في ظروف مناسبة من الإصابات الشخصية.
- c. منع بدء التشغيل غير المقصود. تأكد من وجود المفتاح في وضع إيقاف التشغيل قبل توصيل الأداة بمصدر الطاقة و/أو حزمة البطارية أو رفعها أو حملها. يؤدي حمل الأدوات الكهربائية - مع وجود إصبعك على المفتاح أو توصيل الطاقة للأدوات الكهربائية التي يكون المفتاح بها في وضع التشغيل - إلى وقوع حوادث.
- d. قم بإزالة أي مفتاح ضبط أو مفتاح ربط قبل تشغيل الأداة الكهربائية. قد يتسبب ترك مفتاح أو مفتاح في الجزء الدوار من الأداة الكهربائية في حدوث إصابة جسدية.

- e. لا تتجاوز. حافظ على توازنك وثبات قدمك طوال الوقت. يؤدي ذلك إلى التحكم بشكل أفضل في الأداة الكهربائية في المواقف المفاجئة.
- f. ارتد الملابس المناسبة. لا ترتد ملابس فضفاضة أو جواهر. أبق شعرك وملابسك وقفازيك بعيداً عن الأجزاء المتحركة. قد تعلق الملابس الفضفاضة أو الجواهر أو الشعر الطويل بالأجزاء المتحركة.
- g. إذا توفرت الأجهزة للاتصال بمنشآت استخلاص الأتربة وتجميعها، فتأكد من أنها متصلة ومستخدمة على نحو صحيح. يؤدي استخدام تجميع الأتربة إلى تقليل المخاطر ذات الصلة بالأتربة.
- h. لا تدع اعتيادك على الاستخدام المتكرر للأدوات يسمح لك بتجاهل ماب انسلامة الأداة. قد يتسبب الاستخدام بدون اكتراث في حدوث إصابة بالغة فيغضون ثواني!

استخدام الأداة الكهربائية والعناية بها

- a. لا تستخدم الأداة الكهربائية بقوة مفرطة. استخدم الأداة الكهربائية الصحيحة للتطبيق الذي تريد. ستحجز الأداة الكهربائية الصحيحة المهمة بشكل أفضل وأكثر أمناً في النطاق الذي تم تصميمها من أجله.
- b. لا تستخدم الأداة الكهربائية في حالة تعذر تشغيلها أو إيقاف تشغيلها باستخدام المفتاح. تمثل أية أداة كهربائية يتعذر التحكم فيها بالمفتاح خطراً ويجب إصلاحها.
- c. أفضل القابس من مصدر الطاقة و/أو انزع حزمة البطارية، إذا كانت قابلة للزراع، من الأداة الكهربائية قبل إجراء أي تعديلات أو تغيير الملحقات وأي حالة تخزين الأدوات الكهربائية. نقل إجراءات السلامة الوقائية تلك خطر بدء تشغيل الأداة الكهربائية بشكل غير مقصود.
- d. قم بتخزين الأدوات الكهربائية المظلمة بعيداً عن متناول الأطفال ولا تسمح للأشخاص الذين ليسوا على دراية بالأداة الكهربائية أو بهذه التعليمات أن يقوموا بتشغيل الأداة الكهربائية. وتمثل الأدوات الكهربائية خطراً عندما تقع في أيدي مستخدمين غير مدربين.
- e. صيانة الأدوات الكهربائية والملحقات. وافحص الأداة الكهربائية للتأكد من نظافة الأجزاء المتحركة أو عدم إعاقه حركتها. ومن كسر الأجزاء، وأي حالة أخرى قد تؤثر في تشغيل الأداة الكهربائية. في حالة تلف الأداة الكهربائية، يجب إصلاحها قبل الاستخدام. هناك العديد من الحوادث الناتجة عن صيانة الأدوات الكهربائية بشكل سيئ.
- f. حافظ على حدة أدوات القطع ونظافتها. حيث إن أدوات القطع ذات الحواف الحادة التي تتم صيانتها على نحو سليم أقل عرضة للانثناء كما يسهل التحكم بها.
- g. استخدم الأداة الكهربائية والملحقات ولقم الأداة وما إلى ذلك، وفقاً لهذه التعليمات، مع الوضع في الاعتبار ظروف العمل ومهام العمل المراد أداؤها. يؤدي استخدام الأداة الكهربائية في عمليات تشغيل تختلف عن تلك المصممة لها إلى التعرض لمواقف خطيرة.
- h. احرص على جفاف المقابض وأسطح الإمساك ونظافتها وخلوها من الزيوت والشح على المقابض وأسطح الإمساك الزلقة بالاستخدام والتحكم الأمان في الأداة في الحالات غير المتوقعة.

الصيانة

- a. يجب إصلاح الأداة الكهربائية لدى شخص مؤهل مختص بالإصلاح يستخدم قطع الغيار المتطابقة فقط حيث يضمن ذلك الحفاظ على سلامة الأداة الكهربائية.

تحذيرات أمان خاصة بالمائية

تحذيرات أمان لاستخدام المنشار

- a. أمسك الأداة الكهربائية باستخدام أسطح إمساك معزولة عند القيام بعملية تشغيل. قد تتلامس فيها أداة القطع مع أسلاك مخفية أو مع السلك الخاص بها. تلامس لمخفات القطع مع سلك «متصل بالكهرباء» سيؤدي إلى «وصول التيار الكهربائي» إلى الأجزاء المعدنية المكشوفة وقد يعرض المشغل لصدمة كهربائية.
- b. استخدم أجهزة التثبيت وطريقة عملية أخرى لتثبيت ودعم قطعة العمل على منصة ثابتة. يؤدي الإمساك بقطعة العمل في يدك أو تجاه جسديك إلى عدم ثباتها وقد يؤدي إلى فقدان التحكم.
- c. أبعد يديك عن نطاق النشر. لا تنزل أسفل قطعة العمل. قد يؤدي لمس حافة المنشار إلى حدوث إصابات.
- d. استخدم الأداة الكهربائية مع قطعة العمل فقط أثناء التشغيل. إذا لم يحدث هذا، فهناك خطر من الحركة العكسية للأداة عند انحناء أداة القطع في قطعة العمل.
- e. عند الانتهاء من القطع، أغلق الأداة ولا تسحب شفرة المنشار خارج القطع إلا بعد توقفها تماماً. بهذه الطريقة يمكنك تجنب الحركة العكسية ويمكنك وضع الأداة بأمان.
- f. لا تستخدم سوى شفرات منشار حادة وخالية من العيوب. يمكن أن تسبب شفرات المنشار التالفة أو غير الحادة كسوراً أو حركة عكسية.
- g. لا توقف شفرة المنشار من خلال استخدام الضغط الجانبى بعد إيقاف المنشار. من الممكن أن تتلف شفرة المنشار أو تتكسر أو تتسبب في حركة عكسية.

- h. استخدم كشافات مناسبة لمعرفة ما إذا كانت خطوط الأداة مخفية في منطقة العمل أو اتصل بالشركة المحلية للأداة للحصول على المساعدة. قد يتسبب لمس الخطوط الكهربائية في نشوب حريق أو حدوث صدمة كهربية. وقد يؤدي تلف خط الغاز إلى حدوث انفجار. يتسبب اختراق خطوط الماء في حدوث تلفات للممتلكات أو قد يتسبب في حدوث صدمة كهربية.
- i. قم بتأمين قطعة العمل. تكون قطعة العمل المثبتة بأجهزة تثبيت أو ملزمة أكثر أمناً عن المثبتة بالأيدي.
- j. حافظ على نظافة مكان العمل. يمثل امتزاج المواد خطراً بالغا. فقد تشتعل أتربة السبائك الخفيفة أو تخرق.
- k. دائما انتظر حتى تتوقف الأداة تماما قبل وضعها. من الممكن أن ينحسر طرف الأداة الكهربائية ويؤدي لفقد السيطرة عليها.
- l. لا تستخدم الأداة ذات الكبل التالف أبدا. لا تلمس الكبل التالف واسحب كابس التيار الكهربائي في حالة تلف الكبل أثناء التشغيل. تزيد الكبلات التالفة من خطر التعرض لصدمات كهربية.

الاستخدام

أفضل القابس من مصدر الطاقة قبل القيام بتركيب أو تعديل أو تغيير أي ملحقات. تخفض إجراءات الأمان هذه من خطر بدء تشغيل الأداة الكهربائية دون قصد.

تجميع الأتربة

يتم تزويد الأداة بمنفذ غبار للتخلص من الغبار. لاستخدام هذه الميزة، قم بتركيب خرطوم الشفط النهائي في منفذ الأتربة.

الوضع الثابت

استخدام الأداة في الوضع الثابت يمنحك الحرية بإجراء قطع مواد مختلفة بكثا البدين المضاعطين على قطعة العمل الخاصة بك. في هذا الوضع، يمكنك ممارسة هويات مختلفة أو عمل مشاريع خشبية بدقة وسهولة.

1. تأكد من أن يتم تركيب القاعدة في سطح عمل مستو بمساعدة مشابك التثبيت المتوفرة (7). يمكن تثبيت القاعدة بشكل دائم في منصة عمل مزودة بمسامير منتظمة من خلال فتحتين أعلى القاعدة.

لا تجلس على القاعدة أو تتكئ عليها. تهدف القاعدة إلى دعم المواد المقطوعة.

2. بمجرد أن يتم تأمين القاعدة، قم بإرساء الأداة بها: أولاً قم بتوجيه الكبل من خلال فتحة القاعدة ثم اضغط ببساطة لإدخال الأداة في القاعدة (8). يتم إرساء الأداة بأمان، عندما تخرج الأداة المحمولة باليد والقاعدة الثابتة.

3. لا تستخدم مشمار Dremel المزود بمحرك إلا في القاعدة. لا يتم تخصيص الأدوات الكهربائية الأخرى ليتم استخدامها مع القاعدة.

بمجرد أن يتم إدراج شفرة المشمار على النحو الموضح بالشكل (9)، ستكون الأداة جاهزة للتشغيل.

4. ابدأ في تشغيل الأداة قبل أن تستخدمها في العمل وانتظر حتى تصل إلى سرعتها الكاملة قبل أن تلمس المواد المراد قطعها. لا تقم بإدارة المفصاح إلى وضع "التشغيل" و"الإيقاف التشغيل" عند وجود الأداة قيد الاستخدام.

اضغط على دواسة التثبيت داخل قطعة العمل لمنعها من القفز. لتقليل من الاهتزاز، اضغط على قطعة العمل بينك وبينك الأثنين باتجاه شفرة المشمار. لا تدفع قطعة العمل بقوة مفردة تجاه شفرات المشمار. تتوفر هذه الشفرات للاستخدام الدقيق. لذلك من المهم أن تغطي الشفرة وقتاً مناسباً لقطع المواد. سيؤدي الضغط الزائد على قطعة العمل إلى تلف الشفرة ميكزاً.

قبل بدء العمل في مشروعك، قم بعمل قطع قطع في مواد نفايات.

وضع الحمل باليد

يوصى باستخدام الأداة في حالة وضع الحمل باليد عندما تكون قطعة العمل كبيرة جداً أو ثابتة بحيث لا يمكن وضعها داخل القاعدة. تضمن عملية الحمل باليد النموذجية عمل نسخ أو قطع صغيرة الحجم من المواد. في وضع الحمل باليد، تعمل الأداة بمثابة مشمار إفريز/أخرقة بمحرك.

- استمر بالضغط على زر التحرير السريع أثناء فصل الأداة من قاعدتها (10).
- بمجرد أن يتم فصل الأداة، يمكنك حملها بيديك (11). أثناء القطع في حالة الوضع المحمول باليد، تأكد من وجود قبضة ثابتة في الأداة.
- حاول تنظيم سطح الأداة مقابل الجزء السفلي من قطعة العمل الخاصة بك لتقليل الاهتزاز (12).

موجة الحافة (13)

يمكن استخدام موجة الحافة في أي من سياحي الموجة. يمكن استخدام هذا الملحق كصفاة أو موجة/سياح حافة. عند استخدامه كصفاة، ليس من الضروري قلبه داخل السياح الملحق بزراع قفل المقياس. يمكن استخدام الموجة في زوايا مختلفة. اضبط الزاوية التي أرخت مسمار الجناح في الموجة وقم بإدارة الرأس إلى الموضع المطلوب. من الممكن قفل موجة الحافة في وضع تحول ذراع قفل المقياس. سيمنع مسيب الحركة الزلاقي الموجة في السياح.

- تحذيرات عامة لسلامة حامل التشغيل
- a. أفضل القابس من مصدر التيار وأو حزمة البطارية من الأداة الكهربائية قبل القيام بأي عمليات ضبط أو تغيير للمحركات. قد يؤدي التشغيل المفاجئ للأداة الكهربائية إلى وقوع بعض الحوادث.
- b. ركب حامل التشغيل بشكل صحيح قبل تركيب الأداة. حيث يغير التركيب السليم في تجنب حدوث خطر الانهيار.
- c. ثبت الأداة الكهربائية على حامل التشغيل بإحكام قبل بدء الاستخدام. قد يؤدي عدم تثبيت الأداة الكهربائية على حامل التشغيل إلى فقدان التحكم فيها.
- d. ضع حامل التشغيل على سطح صلب ومستو ومنسطح. عند تأرجح حامل التشغيل واهتزاز، لا يمكن إحكام السيطرة على الأداة الكهربائية أو قطعة العمل بأمان وثبات.

⚠️ قم بارتداء واقبات أذن (التعرض للضوضاء من الممكن أن يؤدي إلى فقدان حاسة السمع)

⚠️ لا تعمل باستخدام مواد تحتوي على الأسبستوس (حيث يعتبر الأسبستوس مادة مسرطنة)

⚠️ يجب مراعاة وتطبيق الإجراءات الوقائية أثناء العمل عندما يكون هناك إمكانية لإثارة للغبار لأنه قد يضر بصحة الفرد، أو قد يكون قابلاً للاشتعال أو الانفجار (كما أن بعض الأتربة تُعد مسرطنة)؛ لذا يجب ارتداء قناع واق من الغبار باستخدام أداة استخراج الغبار/الشفط/الشفط عند يكون من الممكن توصيلها

المواصفات

رقم الطراز.....	MS20
الدخل.....	70 وات
الجهد الكهربائي.....	220-240 فولت، 50/60 هرتز تقريباً
سرعة اللاحمل.....	1500-2250/دقيقة
الحد الأقصى لععم القطع.....	18 مم
عمق الحلق.....	250 مم
طول الضربة.....	8 مم
الوزن.....	1.1 كجم

استخدم أسلاك تطويل آمنة وممتدة تماماً بسعة 5 أمبير. تحقق دائماً من أن إمدادات التيار الكهربائي مماثلة لما هو موضح على لوحة بيانات الأداة.

6 عام

يتم المشمار المزود بمحرك بصغر حجمه وسهولة استخدامه لوجود المشمار الدوار 2 في 1. من الممكن استخدامه إما في وضع ثابت، عندما يتم إرساء الأداة في قاعدة أو في الوضع اليدوي. هذه الأداة مُصممة لتنفيذ قطع دقيقة ومنحنية في المواد المختلفة مصنوعة الخشب الطري أو الخشب الصلب أو الألواح المركبة أو الصفائح أو البولي فينيل كلوريد أو معادن الصفائح الناعمة باستخدام الملحقات المناسبة للاستعمال التي توصي بها شركة Dremel.

- زر تحرير دواسة التثبيت
- A. دواسة التثبيت
- B. ذراع قفل المقياس
- C. سياح الموجة
- D. القاعدة
- E. منفذ الغبار
- F. مفتاح التشغيل/الإيقاف
- G. مفتاح الطلب السريع
- H.

الصيانة والتنظيف

لا توجد أجزاء داخلية قابلة للصيانة من جانب المستخدم. قد يؤدي إجراء الصيانة الوقائية بمعرفة أفراد غير معتمدين إلى توصيل الأسلاك والمكونات الداخلية بشكل خاطئ مما قد يتسبب في وجود خطر بالغ.

يمكن تنظيف الأداة بشكل أكثر فعالية باستخدام الهواء الجاف المضغوط. ارتد نظارات حماية دائما عند تنظيف الأدوات بهواء مضغوط.

لتجنب وقوع الحوادث، افصل الأداة دائما و/أو الشاحن من مصدر إمداد الطاقة قبل التنظيف.

يجب أن تظل فتحات التهوية وأذرع المفاتيح نظيفة وخالية من الأجسام الغريبة. ولا تحاول تنظيف الأداة عن طريق إدخال أشياء مستنقة الطرف عبر الفتحة.

هناك مواد تنظيف ومذيبات معينة تتلف الأجزاء البلاستيكية. ومن أمثلتها: البنزين، رابع كلوريد الكربون، محاليل التنظيف بالكور، أمونيا، المنظفات المنزلية المحتوية على أمونيا.

الخدمة والضمان

ونوصي بأن يتم إجراء جميع عمليات صيانة الأداة بمعرفة مركز صيانة Dremel. يتم ضمان منتج Dremel هذا بما يتفق مع اللوائح الإلزامية/المخصصة للدولة؛ ويستثنى من هذا الضمان التلف الناتج عن البلى والتآكل العادي أو زيادة الحمل أو التعامل الخاطئ.

في حالة وجود شكوى، أرسل الأداة أو الشاحن دون تفكيك بالإضافة إلى حجة الشراء إلى الوكيل.

الاتصال بشركة DREMEL

لمزيد من المعلومات حول الخدمة والضمان وحول مجموعة منتجات Dremel، والدعم والخط الساخن الخاص بشركة Dremel، انتقل إلى www.dremel.com.

الضوضاء والاهتزاز

76.0	مستوى ضغط الصوت (انحراف معياري يبلغ 3 ديسيبل) بالديسيبل (أ)
87.0	مستوى طاقة الصوت (انحراف معياري يبلغ 3 ديسيبل) بالديسيبل (أ)
7.7	الاهتزاز (قطع الحديد المطاوع) متر/ثانية ²
8.4	الاهتزاز (قطع الخشب المضغوط) متر/ثانية ²
1.5	عدم ثبات الاهتزاز كم/ثانية ²

ملحوظة: يتم قياس قيمة (قيم) الاهتزاز الإجمالية المعلنة وقيمة (قيم) انبعاثات الضوضاء المعلنة بما يتفق مع طريقة فحص قياسية ويمكن الاستعانة بها لمقارنة أداة بأداة أخرى. ويمكن استخدامها أيضًا في عملية تقييم أولى للتعرض.

تتفاوت انبعاث الاهتزاز والضوضاء أثناء الاستخدام الفعلي للأداة الكهربائية عن القيمة الإجمالية المعلنة وذلك حسب الطرق التي تستخدم من خلالها الأداة. بتقدير التعرض في الظروف الفعلية للاستخدام، وحدد إجراءات الأمان اللازمة للحماية الشخصية وفقًا لذلك التقدير (مع الأخذ في الاعتبار جميع أجزاء دورة التشغيل مثل الأوقات التي يتم فيها إيقاف تشغيل الأداة والتي يتم فيها تشغيلها بسرعة بطيئة بالإضافة إلى وقت التشغيل).

التخلص من البطارية

ينبغي فرز الأداة والملحقات والتغليف لإعادة تدويرها بشكل لا يضر بالبيئة.

خاص بالدول الأوروبية فقط ⑥

يجب تجميع الأدوات الكهربائية التي لم تعد قابلة للاستخدام بشكل منفصل والتخلص منها بطريقة مناسبة بيئيًا وذلك بموجب التوجيه الأوروبي EC/2012/19 الخاص بنفايات المعدات الكهربائية والإلكترونية وتنفيذه وفقًا للحقوق الوطنية.

Bosch Power Tools B.V.
Konijnenberg 60
4825 BD Breda
The Netherlands



2610Z10263 03/2020

www.dremel.com

All Rights Reserved